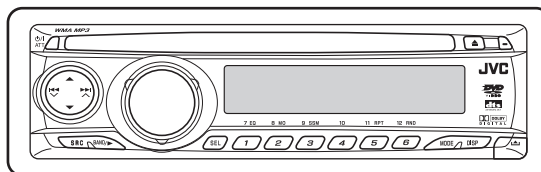
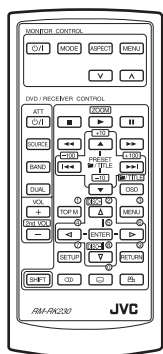
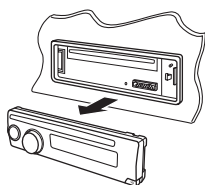


JVC

SERVICE MANUAL

DVD/CD RECEIVER

**KD-DV4200J, KD-DV4201E, KD-DV4201EU,
KD-DV4202E, KD-DV4202EU, KD-DV4203UI,
KD-DV4204UI, KD-DV4205U, KD-DV4205UN,
KD-DV4205UT, KD-DV4205A, KD-DV4206U,
KD-DV4206UN, KD-DV4206UT, KD-DV4206A,
KD-DV4207EE**



Lead free solder used in the board (material : Sn-Ag-Cu, melting point : 219 Centigrade)

TABLE OF CONTENTS

1	PRECAUTIONS	1-7
2	SPECIFIC SERVICE INSTRUCTIONS	1-10
3	DISASSEMBLY	1-11
4	ADJUSTMENT	1-25
5	TROUBLESHOOTING	1-31

SPECIFICATION

KD-DV4200

AUDIO AMPLIFIER SECTION		
Power Output		17 W RMS × 4 Channels at 4 Ω and 1% THD+N
Signal to Noise Ratio		80 dBA (reference: 1 W into 4 Ω)
Load Impedance		4 Ω (4 Ω to 8 Ω allowance)
Tone Control Range	Bass	±10 dB at 100Hz
	Treble	±10 dB at 10kHz
Audio Output Level	Digital (DIGITAL OUT: Optical)	Signal wave length : 660 nm Output level : -21 dBm to -15 dBm
	Line-Out Level/Impedance	2.0 V/20 kΩ load (full scale)
	Output Impedance	1 kΩ
Color System		NTSC
Video Output (composite)		1 Vp-p/75 Ω
Other Terminals		CD changer
TUNER SECTION		
Frequency Range	FM	87.5 MHz to 107.9 MHz (with channel interval set to 100 kHz or 200 kHz) 87.5 MHz to 108.0 MHz (with channel interval set to 50 kHz)
	AM	530 kHz to 1 710 kHz (with channel interval set to 10 kHz) 531 kHz to 1 602 kHz (with channel interval set to 9 kHz)
FM Tuner	Usable Sensitivity	11.3 dBf (1.0 μV/75 Ω)
	50 dB Quieting Sensitivity	16.3 dBf (1.8 μV/75 Ω)
	Alternate Channel Selectivity (400 kHz)	65 dB
	Frequency Response	40 Hz to 15 000 Hz
	Stereo Separation	35 dB
AM Tuner	Sensitivity	20 μV
	Selectivity	35 dB
DVD/CD PLAYER SECTION		
Signal Detection System		Non-contact optical pickup (semiconductor laser)
Number of Channels		2 channels (stereo)
Frequency Response	DVD, fs=48 kHz	16 Hz to 22 000 Hz
	DVD, fs=96 kHz	16 Hz to 44 000 Hz
	VCD, CD, MP3, WMA	16 Hz to 20 000 Hz
Dynamic Range		96 dB
Signal-to-Noise Ratio		98 dB
Wow and Flutter		Less than measurable limit
MP3 (MPEG Audio Layer 3)	Bit Rate	32 kbps - 320 kbps
	Sampling frequency	MPEG-1 : 48 kHz, 44.1 kHz, 32 kHz MPEG-2 : 24 kHz, 22.05 kHz, 16 kHz
WMA (Windows Media® Audio)	Bit Rate	32 kbps -192 kbps
	Sampling frequency	48 kHz, 44.1 kHz, 32 kHz
GENERAL		
Power Requirement	Operating Voltage	DC 14.4 V (11 V to 16 V allowance)
Grounding System		Negative ground
Allowable Operating Temperature		0°C to +40°C (32°F to 104°F)
Dimensions (W × H × D)	Installation Size (approx.)	182 mm × 52 mm × 158 mm (7-3/16" × 2-1/16" × 6-1/4")
	Panel Size (approx.)	188 mm × 58 mm × 11 mm (7-7/16" × 2-5/16" × 7/16")
Mass (approx.)		1.7 kg (3.7 lbs) (excluding accessories)

KD-DV4201/KD-DV4202

AUDIO AMPLIFIER SECTION		
Maximum Power Output	Front/Rear	45 W per channel
Continuous Power Output (RMS)	Front/Rear	17 W per channel into 4 Ω , 40 Hz to 20 000 Hz at no more than 0.8% total harmonic distortion
Load Impedance		4 Ω (4 Ω to 8 Ω allowance)
Tone Control Range	Bass/Treble	± 10 dB at 100 Hz/ ± 10 dB at 10 kHz
Frequency Response		40 Hz to 20 000 Hz
Signal-to-Noise Ratio		70 dB
Audio Output Level	Digital (DIGITAL OUT: Optical)	Signal wave length : 660 nm Output level : -21 dBm to -15 dBm
	Line-Out Level/Impedance	2.0 V/20 k Ω load (full scale)
	Output Impedance	1 k Ω
Color System		PAL
Video Output (composite)		1 Vp-p/75 Ω
Other Terminals		CD changer, Steering wheel remote input
TUNER SECTION		
Frequency Range	FM	87.5 MHz to 108.0 MHz
	AM	(MW) 522 kHz to 1 620 kHz (LW) 144 kHz to 279 kHz
FM Tuner	Usable Sensitivity	11.3 dBf (1.0 μ V/75 Ω)
	50 dB Quieting Sensitivity	16.3 dBf (1.8 μ V/75 Ω)
	Alternate Channel Selectivity (400 kHz)	65 dB
	Frequency Response	40 Hz to 15 000 Hz
	Stereo Separation	30 dB
MW Tuner	Sensitivity/Selectivity	20 μ V/35 dB
LW Tuner	Sensitivity	50 μ V
DVD/CD PLAYER SECTION		
Signal Detection System		Non-contact optical pickup (semiconductor laser)
Number of Channels		2 channels (stereo)
Frequency Response	DVD, fs=48 kHz	16 Hz to 22 000 Hz
	DVD, fs=96 kHz	16 Hz to 44 000 Hz
	VCD/CD/MP3/WMA	16 Hz to 20 000 Hz
Dynamic Range		96 dB
Signal-to-Noise Ratio		98 dB
Wow and Flutter		Less than measurable limit
MP3	Bit Rate	32 kbps - 320 kbps
	Sampling Frequency	48 kHz, 44.1 kHz, 32 kHz
WMA	Bit Rate	32 kbps - 192 kbps
	Sampling Frequency	MPEG-1 : 48 kHz, 44.1 kHz, 33 kHz MPEG-2 : 24 kHz, 22.05 kHz, 16 kHz
GENERAL		
Power Requirement	Operating Voltage	DC 14.4 V (11 V to 16 V allowance)
Grounding System		Negative ground
Allowable Operating Temperature		0°C to +40°C
Dimensions (W \times H \times D)	Installation Size (approx.)	182 mm \times 52 mm \times 158 mm
	Panel Size (approx.)	188 mm \times 58 mm \times 11 mm
Mass (approx.)		1.6 kg (excluding accessories)

KD-DV4203/KD-DV4204/KD-DV4205/KD-DV4206

AUDIO AMPLIFIER SECTION		
Maximum Power Output	Front/Rear	50 W per channel
Continuous Power Output (RMS)	Front/Rear	19 W per channel into 4 Ω , 40 Hz to 20 000 Hz at no more than 0.8% total harmonic distortion
Load Impedance		4 Ω (4 Ω to 8 Ω allowance)
Tone Control Range	Bass/Treble	\pm 10 dB at 100 Hz/ \pm 10 dB at 10 kHz
Frequency Response		40 Hz to 20 000 Hz
Signal-to-Noise Ratio		70 dB
Audio Output Level	Digital (DIGITAL OUT: Optical)	Signal wave length : 660 nm Output level : -21 dBm to -15 dBm
	Line-Out Level/Impedance	2.0 V/20 k Ω load (full scale)
	Output Impedance	1 k Ω
Color System		PAL/NTSC
Video Output (composite)		1 Vp-p/75 Ω
Other Terminal		CD changer
TUNER SECTION		
Frequency Range	FM	87.5 MHz to 108.0 MHz
	AM	531 kHz to 1 602 kHz
FM Tuner	Usable Sensitivity	11.3 dBf (1.0 μ V/75 Ω)
	50 dB Quieting Sensitivity	16.3 dBf (1.8 μ V/75 Ω)
	Alternate Channel Selectivity (400 kHz)	65 dB
	Frequency Response	40 Hz to 15 000 Hz
	Stereo Separation	30 dB
AM Tuner	Sensitivity/Selectivity	20 μ V/35 dB
DVD/CD PLAYER SECTION		
Signal Detection System		Non-contact optical pickup (semiconductor laser)
Number of Channels		2 channels (stereo)
Frequency Response	DVD, fs=48 kHz	16 Hz to 22 000 Hz
	DVD, fs=96 kHz	16 Hz to 44 000 Hz
	VCD/CD/MP3/WMA	16 Hz to 20 000 Hz
Dynamic Range		96 dB
Signal-to-Noise Ratio		98 dB
Wow and Flutter		Less than measurable limit
MP3	Bit Rate	32 kbps - 320 kbps
	Sampling Frequency	48 kHz, 44.1 kHz, 32 kHz
WMA	Bit Rate	32 kbps - 192 kbps
	Sampling Frequency	MPEG-1 : 48 kHz, 44.1 kHz, 33 kHz MPEG-2 : 24 kHz, 22.05 kHz, 16 kHz
GENERAL		
Power Requirement	Operating Voltage	DC 14.4 V (11 V to 16 V allowance)
Grounding System		Negative ground
Allowable Operating Temperature		0°C to +40°C
Dimensions (W \times H \times D)	Installation Size (approx.)	182 mm \times 52 mm \times 158 mm
	Panel Size (approx.)	188 mm \times 58 mm \times 11 mm
Mass (approx.)		1.6 kg (excluding accessories)


KD-DV4207


AUDIO AMPLIFIER SECTION		
Maximum Power Output	Front/Rear	50 W per channel
Continuous Power Output (RMS)	Front/Rear	19 W per channel into 4 Ω , 40 Hz to 20 000 Hz at no more than 0.8% total harmonic distortion
Load Impedance		4 Ω (4 Ω to 8 Ω allowance)
Tone Control Range	Bass/Treble	± 10 dB at 100 Hz/ ± 10 dB at 10 kHz
Frequency Response		40 Hz to 20 000 Hz
Signal-to-Noise Ratio		70 dB
Audio Output Level	Digital (DIGITAL OUT: Optical)	Signal wave length : 660 nm Output level : -21 dBm to -15 dBm
	Line-Out Level/Impedance	2.0 V/20 k Ω load (full scale)
	Output Impedance	1 k Ω
Color System		PAL
Video Output (composite)		1 Vp-p/75 Ω
Other Terminals		CD changer
TUNER SECTION		
Frequency Range	FM1 /FM2	87.5 MHz to 108.0 MHz
	FM3	65.00 MHz to 74.00 MHz
	AM	(MW) 522 kHz to 1 620 kHz (LW) 144 kHz to 279 kHz
FM Tuner	Usable Sensitivity	11.3 dBf (1.0 μ V/75 Ω)
	50 dB Quieting Sensitivity	16.3 dBf (1.8 μ V/75 Ω)
	Alternate Channel Selectivity (400 kHz)	65 dB
	Frequency Response	40 Hz to 15 000 Hz
	Stereo Separation	30 dB
MW Tuner	Sensitivity/Selectivity	20 μ V/35 dB
LW Tuner	Sensitivity	50 μ V
DVD/CD PLAYER SECTION		
Signal Detection System		Non-contact optical pickup (semiconductor laser)
Number of Channels		2 channels (stereo)
Frequency Response	DVD, fs=48 kHz	16 Hz to 22 000 Hz
	DVD, fs=96 kHz	16 Hz to 44 000 Hz
	VCD/CD/MP3/WMA	16 Hz to 20 000 Hz
Dynamic Range		96 dB
Signal-to-Noise Ratio		98 dB
Wow and Flutter		Less than measurable limit
MP3	Bit Rate	32 kbps - 320 kbps
	Sampling Frequency	48 kHz, 44.1 kHz, 32 kHz
WMA	Bit Rate	32 kbps - 192 kbps
	Sampling Frequency	MPEG-1 : 48 kHz, 44.1 kHz, 33 kHz MPEG-2 : 24 kHz, 22.05 kHz, 16 kHz
GENERAL		
Power Requirement	Operating Voltage	DC 14.4 V (11 V to 16 V allowance)
Grounding System		Negative ground
Allowable Operating Temperature		0°C to +40°C
Dimensions (W \times H \times D)	Installation Size (approx.)	182 mm \times 52 mm \times 158 mm
	Panel Size (approx.)	188 mm \times 58 mm \times 11 mm
Mass (approx.)		1.6 kg (excluding accessories)

- "DVD Logo" is a trademark of DVD Format/Logo Licensing Corporation registered in the US, Japan and other countries.
- Microsoft and Windows Media are either registered trademarks or trademarks of Microsoft Corporation in the United States and/or other countries.
- Manufactured under license from Dolby Laboratories. Dolby and the double-D symbol are trademarks of Dolby Laboratories.
- "DTS" and "DTS 2.0 + Digital Out" are registered trademarks of Digital Theater Systems, Inc.
- iPod is a trademark of Apple Computer, inc., registered in the U.S. and other countries.
- "SIRIUS" and the SIRIUS dog logo are registered trademarks of SIRIUS Satellite Radio Inc.
- XM and its corresponding logos are registered trademarks of XM Satellite Radio Inc.
- "SAT Radio," the SAT Radio logo and all related marks are trademarks of SIRIUS Satellite Radio Inc., and XM Satellite Radio, Inc.
- Design and specifications are subject to change without notice.

SECTION 1 PRECAUTIONS

1.1 Safety Precautions

 **CAUTION** Burrs formed during molding may be left over on some parts of the chassis. Therefore, pay attention to such burrs in the case of performing repair of this system.

 **CAUTION** Please use enough caution not to see the beam directly or touch it in case of an adjustment or operation check.

1.2 Preventing static electricity

Electrostatic discharge (ESD), which occurs when static electricity stored in the body, fabric, etc. is discharged, can destroy the laser diode in the traverse unit (optical pickup). Take care to prevent this when performing repairs.

1.2.1 Grounding to prevent damage by static electricity

Static electricity in the work area can destroy the optical pickup (laser diode) in devices such as DVD players.

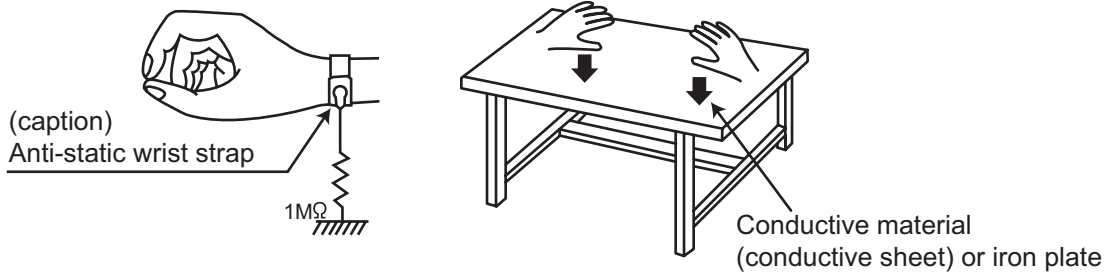
Be careful to use proper grounding in the area where repairs are being performed.

(1) Ground the workbench

Ground the workbench by laying conductive material (such as a conductive sheet) or an iron plate over it before placing the traverse unit (optical pickup) on it.

(2) Ground yourself

Use an anti-static wrist strap to release any static electricity built up in your body.



(3) Handling the optical pickup

- In order to maintain quality during transport and before installation, both sides of the laser diode on the replacement optical pickup are shorted. After replacement, return the shorted parts to their original condition. (Refer to the text.)
- Do not use a tester to check the condition of the laser diode in the optical pickup. The tester's internal power source can easily destroy the laser diode.

1.3 Handling the traverse unit (optical pickup)

(1) Do not subject the traverse unit (optical pickup) to strong shocks, as it is a sensitive, complex unit.

(2) Cut off the shorted part of the flexible cable using nippers, etc. after replacing the optical pickup. For specific details, refer to the replacement procedure in the text. Remove the anti-static pin when replacing the traverse unit. Be careful not to take too long a time when attaching it to the connector.

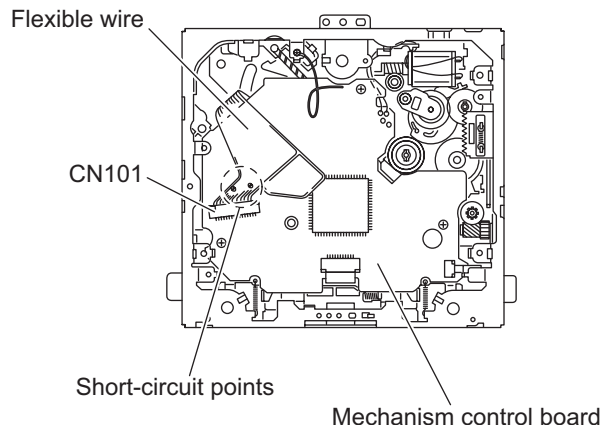
(3) Handle the flexible cable carefully as it may break when subjected to strong force.

(4) It is not possible to adjust the semi-fixed resistor that adjusts the laser power. Do not turn it.

1.4 Attention when traverse unit is decomposed

***Please refer to "Disassembly method" in the text for the DVD pickup unit.**

- Apply solder to the short land before the flexible wire is disconnected from the connector on the DVD pickup unit. (If the flexible wire is disconnected without applying solder, the DVD pickup may be destroyed by static electricity.)
- In the assembly, be sure to remove solder from the short land after connecting the flexible wire.



1.5 Important for laser products

1.CLASS 1 LASER PRODUCT


2.DANGER : Invisible laser radiation when open and interlock failed or defeated. Avoid direct exposure to beam.

3.CAUTION : There are no serviceable parts inside the Laser Unit. Do not disassemble the Laser Unit. Replace the complete Laser Unit if it malfunctions.

4.CAUTION : The CD,MD and DVD player uses invisible laser radiation and is equipped with safety switches which prevent emission of radiation when the drawer is open and the safety interlocks have failed or are defeated. It is dangerous to defeat the safety switches.

5.CAUTION : If safety switches malfunction, the laser is able to function.

6.CAUTION : Use of controls, adjustments or performance of procedures other than those specified here in may result in hazardous radiation exposure.

 **CAUTION** Please use enough caution not to see the beam directly or touch it in case of an adjustment or operation check.

CAUTION : Visible and invisible laser radiation when open and interlock failed or defeated.

AVOID DIRECT EXPOSURE TO BEAM.

ADVARSEL : Synlig og usynlig laserstråling når maskinen er åben eller interlocken fejler. Undgå direkte eksponering til stråling.

VARNING : Synlig och osynlig laserstråling när den öppnas och spärren är urkopplad. Betrakta ej strålen.

VARO : Avattaessa ja suojalukitus ohitettuna tai viallisena olet alltiina näkyvälle ja näkymättömälle lasersäteilylle. Vältä säteen kohdistumista suoraan itseesi.

REPRODUCTION AND POSITION OF LABELS

WARNING LABEL

CLASS 1
LASER PRODUCT

CAUTION : Visible and invisible laser radiation when open and interlock failed or defeated. AVOID DIRECT EXPOSURE TO BEAM. (e)	ADVARSEL : Synlig og usynlig laserstråling når maskinen er åben eller interlocken fejler. Undgå direkte eksponering til stråling. (d)	VARNING : Synlig och osynlig laserstråling när den öppnas och spärren är urkopplad. Betrakta ej strålen. (s)	VARO : Avattaessa ja suojalukitus ohitettuna tai viallisena olet alltiina näkyvälle ja näkymättömälle lasersäteilylle. Vältä säteen kohdistumista suoraan itseesi. (f)
---	--	---	---

SECTION 2 SPECIFIC SERVICE INSTRUCTIONS

This service manual does not describe SPECIFIC SERVICE INSTRUCTIONS.

SECTION 3 DISASSEMBLY

3.1 Main body section

3.1.1 Removing the front panel assembly (See Fig.1)

Push the detach button in the lower left part of the front panel assembly and remove the front panel assembly.

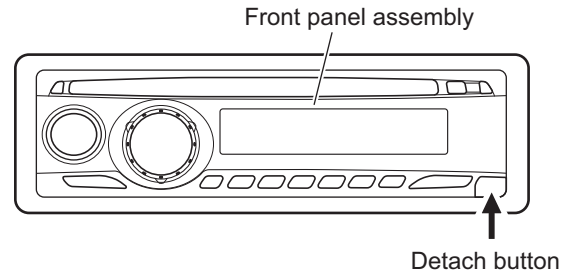


Fig.1

3.1.2 Removing the bottom cover (See Fig.1)

Reference:

Remove the front panel assembly as required.

- (1) Release the two joints **a**, two joints **b** and joint **c**.
- (2) Remove the bottom cover from the main body.

Caution:

Do not damage the main board when releasing the joints using a screwdriver or a similar tool.

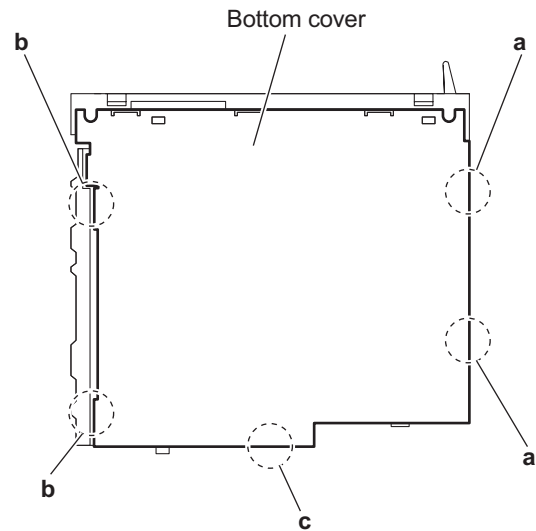


Fig.2

3.1.3 Removing the front chassis assembly (See Fig.3)

- Remove the front panel assembly and bottom cover.
 - (1) From the both sides of the main body, remove the two screws **A** attaching the front chassis assembly.
 - (2) Release the two joints **d** and two joints **e**.

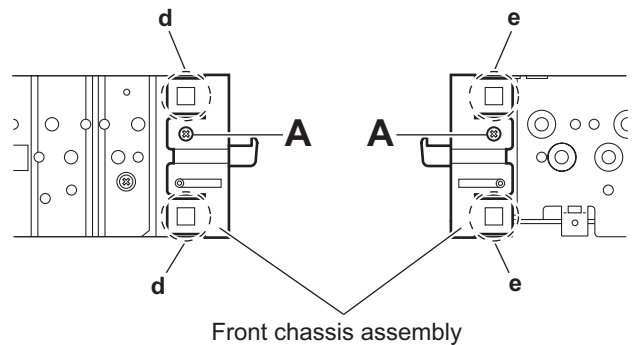


Fig.3

3.1.4 Removing the side heat sink (See Fig.4)

Reference:

Remove the front panel and front chassis assemblies as required.

From the left side of the main body, remove the two screws **B** and three screws **C** attaching the side heat sink.

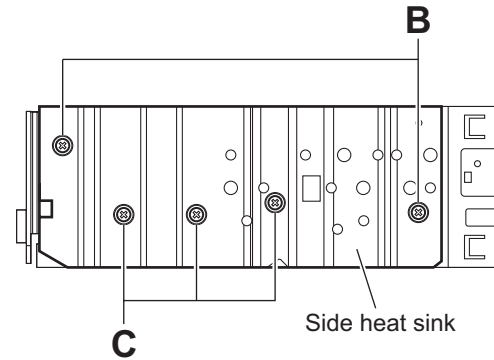


Fig.4

3.1.5 Removing the rear bracket (See Fig.5)

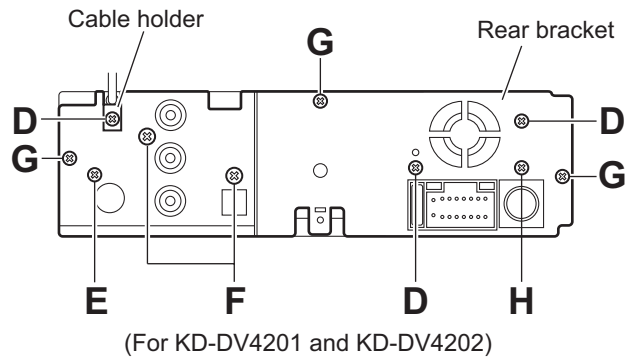
- Remove the bottom cover.

(1) From the back side of the main body, remove the screws **D**, screw **E**, two screws **F**, three screws **G** and screw **H** attaching the rear bracket.

(2) Remove the rear bracket.

Reference:

The quantity of screws **D** differs by each model.



(For KD-DV4201 and KD-DV4202)

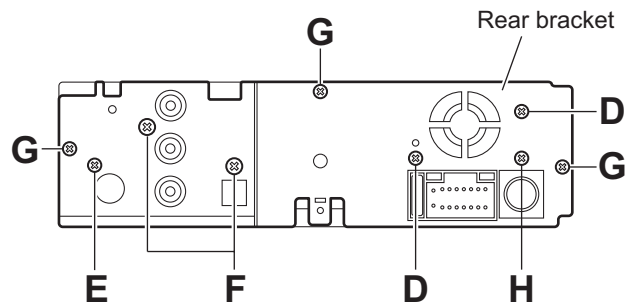


Fig.5

3.1.6 Removing the main board (See Figs.5 and 6)

- Remove the front panel assembly, bottom cover, front chassis assembly and side heat sink.

Reference:

Remove the rear bracket as required.

- (1) From the back side of the main body, remove the three screws **G** attaching the main board. (See Fig.5.)
- (2) From the bottom side of the main body, remove the three screws **J** attaching the main board. (See Fig.6.)
- (3) Disconnect the connector [CN961](#) on the main board from the DVD mechanism assembly and take out the main board from the main body. (See Fig.6.)

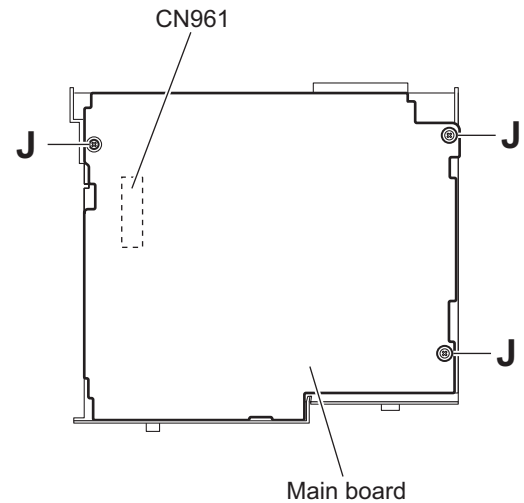


Fig.6

3.1.7 Removing the DVD mechanism assembly (See Fig.7)

- Remove the front panel assembly, bottom cover, front chassis assembly, side heat sink and main board.
- (1) From the inside of the top chassis, remove the three screws **K** attaching the DVD mechanism assembly.
 - (2) Take out the DVD mechanism assembly from the top chassis.

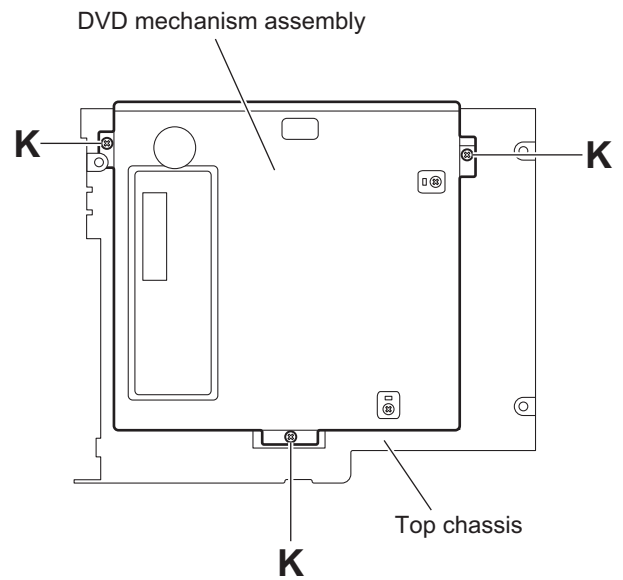


Fig.7

3.1.8 Removing the main sub board (See Figs.8 to 10)

- Remove the front panel assembly, bottom cover, front chassis assembly, side heat sink, main board and DVD mechanism assembly.

- From the top side of the DVD mechanism assembly, remove the two screws **M** attaching the dust cover. (See Fig.8.)
- Remove the dust cover from the DVD mechanism assembly. (See Fig.8.)

Reference:

When attaching the dust cover, align the joints **f** in the holes of the dust cover before attaching the screws **M**. (See Fig.8.)

- Release the lock of the connector [CN962](#) on the main sub board and disconnect the card wire. (See Fig.9.)
- Bend the joint **g** in the direction of the arrow. (See Fig.9.)
- Remove the two screws **N** attaching the main sub board and remove the main sub board from the DVD mechanism assembly. (See Fig.9.)

Reference:

- When attaching the main sub board, align the joints **h** in the holes of the main sub board before attaching the screws **N**. (See Fig.9.)
- When the resolution of DVD mechanism assembly is done sequentially, remove the two screws **P** attaching the support bracket. (See Fig.10.)
- Remove the card wire from the connector [CN401](#) as required. (See Fig.10.)

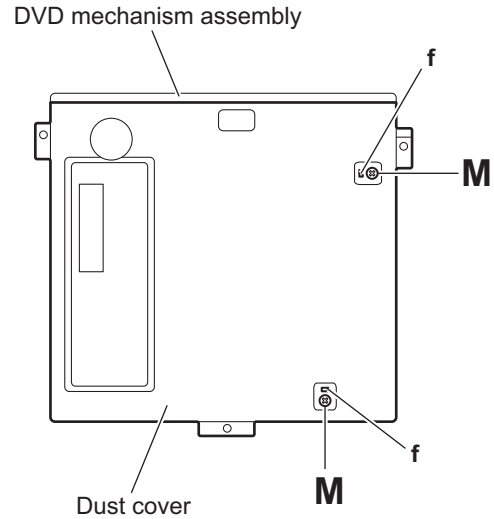


Fig.8

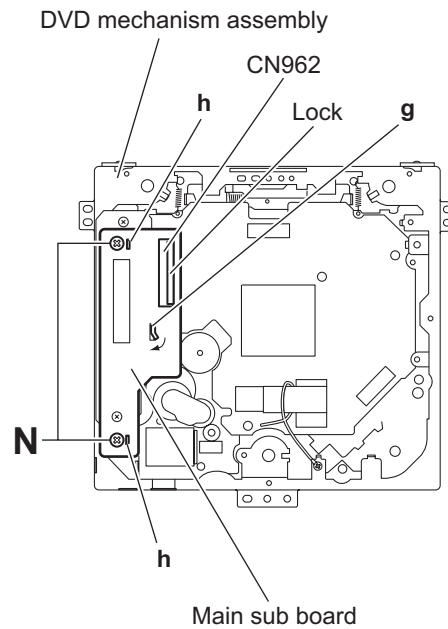


Fig.9

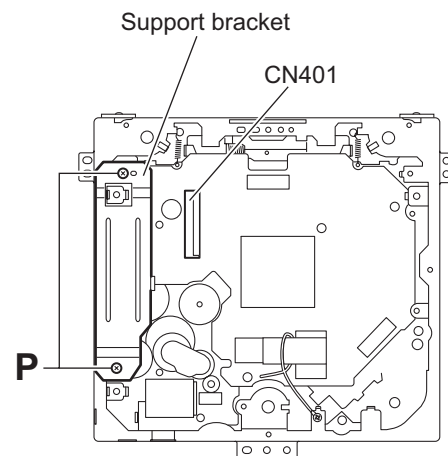


Fig.10

3.1.9 Removing the switch board (See Figs. 11 to 13)

- Remove the front panel assembly.
 - From the back side of the front panel assembly, remove the four screws **Q** attaching the rear cover. (See Fig.11.)
 - Release the joints **j** attaching the rear cover to the front panel assembly. (See Fig.12.)
 - Release the joint **k** and take out the switch board while lifting the switch board from the front panel assembly little by little. (See Fig.13.)

Reference:

Remove the volume knob from the front side of the front panel assembly at the same time.

Note:

Do not lose the compression springs when removing the switch board. (See Fig.13.)

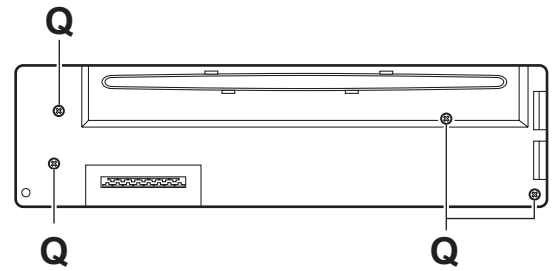


Fig.11

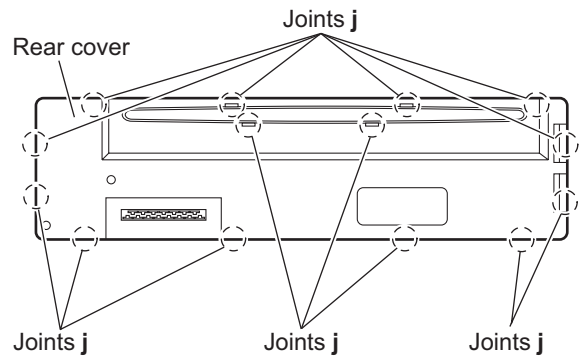


Fig.12

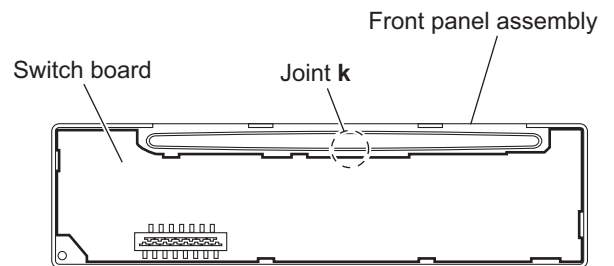


Fig.13

3.2 DVD mechanism assembly

3.2.1 Removing the mechanism control board (See Fig.1)

Caution:

Before disconnecting the flexible wire extending from the DVD pickup, solder the short-circuit point on the flexible wire using a grounding soldering iron. If you do not follow this instruction, the DVD pickup may be damaged.

- (1) Turn over the body, and solder the short-circuit points on the flexible wire extending from the DVD pickup.
- (2) Disconnect the flexible wire from connector [CN101](#) on the mechanism control board.
- (3) Disconnect the card wire from connector [CN201](#) on the mechanism control board.
- (4) Disconnect the flexible wire from connector [CN202](#) on the mechanism control board.
- (5) Unsolder two soldered points **a** on the mechanism control board and remove the wire extending from the feed motor.
- (6) Remove the screw **A** attaching the lug wire.
- (7) Remove the two screws **B** and screw **C** attaching the mechanism control board.

Caution:

- As the flexible wire to be connected to [CN101](#), make sure to attach it to the mechanism control board using a double tape.
- After reassembling, unsolder the short-circuit points.

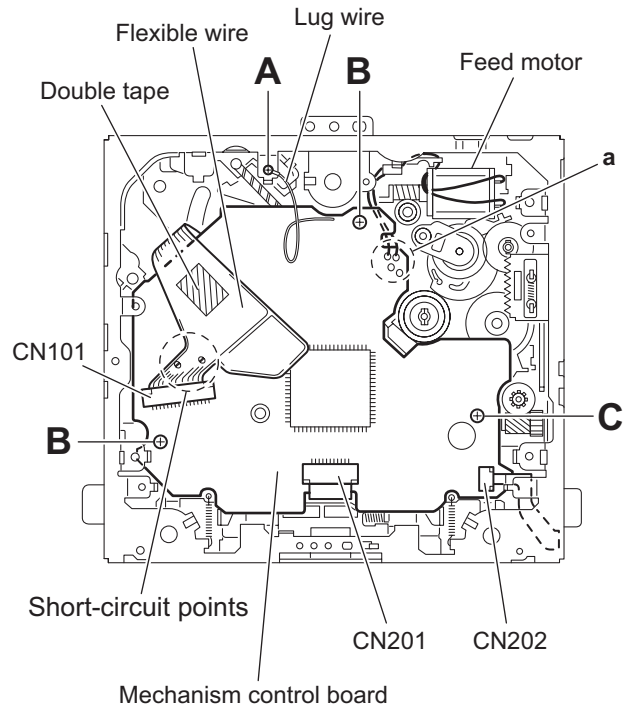


Fig.1

3.2.2 Removing the top cover

(See Fig.2)

- (1) Remove the two screws **D** attaching the top cover on the back of the body.
- (2) Remove the top cover upward.

Reference:

When reassembling, set part **b** of the top cover under the bending part **c** of the chassis frame.

3.2.3 Removing the mechanism section

(See Fig.2 to 4)

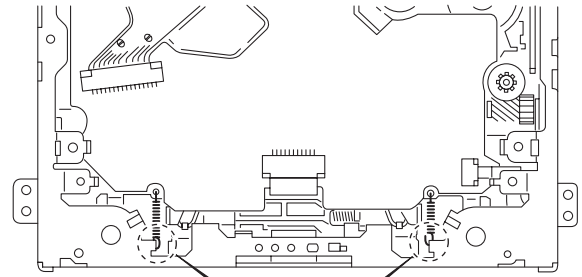
- Remove the top cover.
 - (1) From the bottom of the body, remove the screw **E** attaching the lug wire. (See Fig.2.)
 - (2) Remove the two screws **F** attaching the right and left stoppers on the front side. (See Fig.2.)
 - (3) Remove the two floating springs on the bottom of the body. (See Fig.3.)
 - (4) Move the mechanism section upward and remove from the chassis frame.

The three damper springs come off from the dampers.

 (See Fig.4.)

Caution:

- When reassembling, reattach the damper spring to the damper respectively and insert the three shafts on the bottom of the mechanism to the dampers.
- Before inserting the shaft to the dampers, apply IPA to the hole of damper.



Floating spring

Fig.3

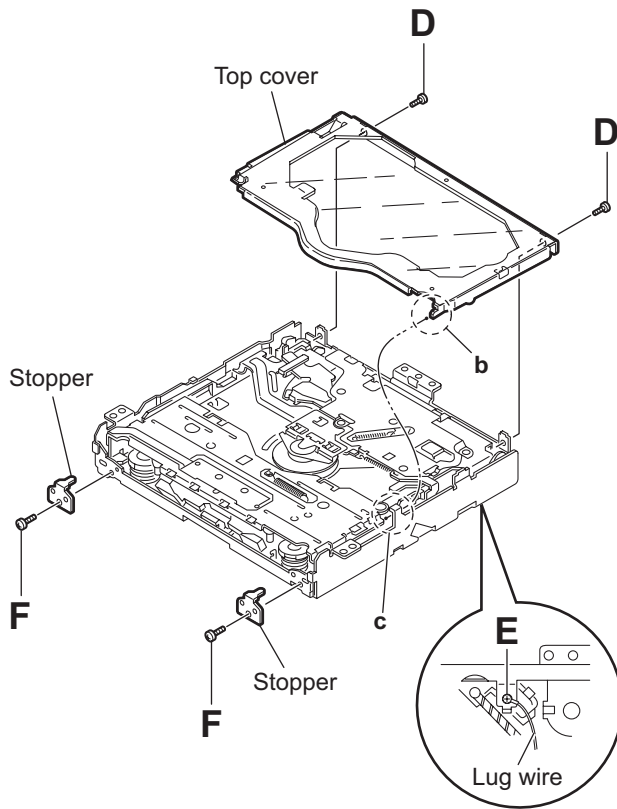


Fig.2

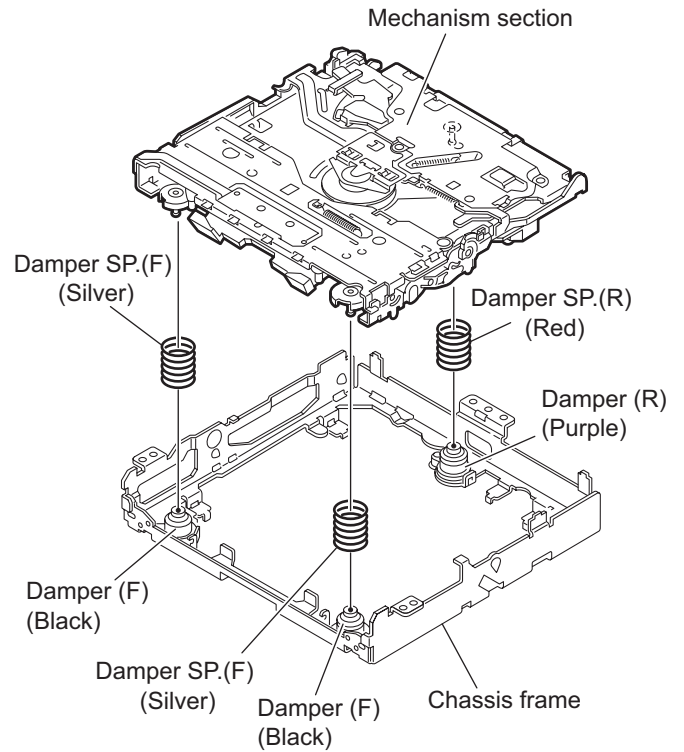


Fig.4

3.2.4 Removing the clamper unit (See Fig.5 to 7)

- Remove the top cover and the mechanism section.
 - Remove the clamper2 spring on the bottom of the mechanism section. (See Figs.5.and 6.)
 - Release the part **d** of the clamper spring from the bending part of the chassis base assembly. (See Fig.7.)
 - Move the clamper unit in the direction of the arrow and turn. Release the two joints **e** and **f**, then remove the clamper unit upward. (See Fig.6.)

3.2.5 Reattaching the clamper unit (See Fig.5 to 9)

- Attach the clamper spring to the clamper unit. (See Fig.8.)
- Move the clamper unit to set the side joints **e** and **f** to each boss of the chassis base assembly. Make sure that part **g** is inserted to the notch of the chassis base assembly. (See Figs.5 and 9.)
- Move the part **d** of the clamper spring to the outside of the bending part of the chassis base assembly. (See Fig.7.)
- Attach the clamper2 spring to the chassis base assembly. (See Figs.5 and 6.)

Caution:

When reattaching, temporarily hook the end of the clamper spring as shown in the figure to make the work easy. (See Fig.8.)

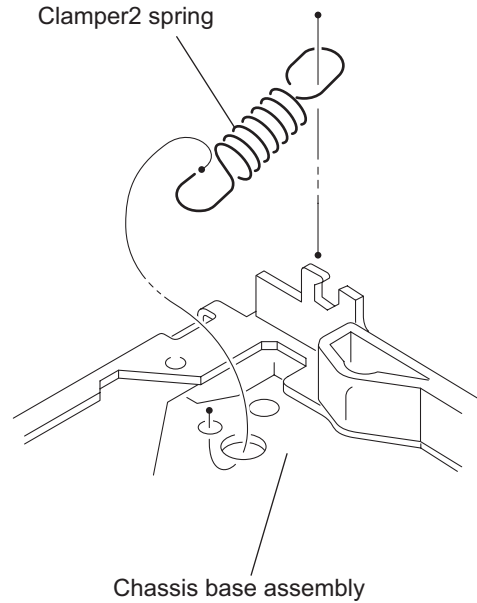


Fig.6

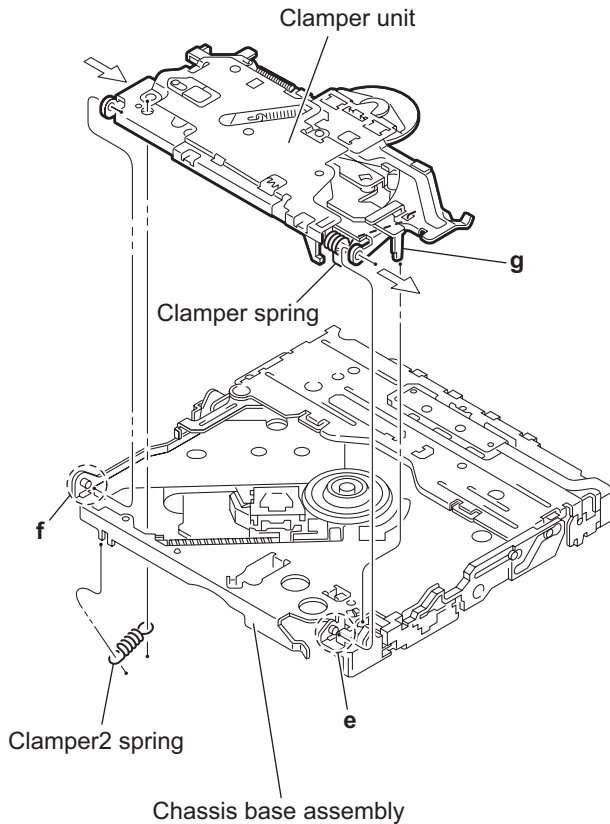


Fig.5

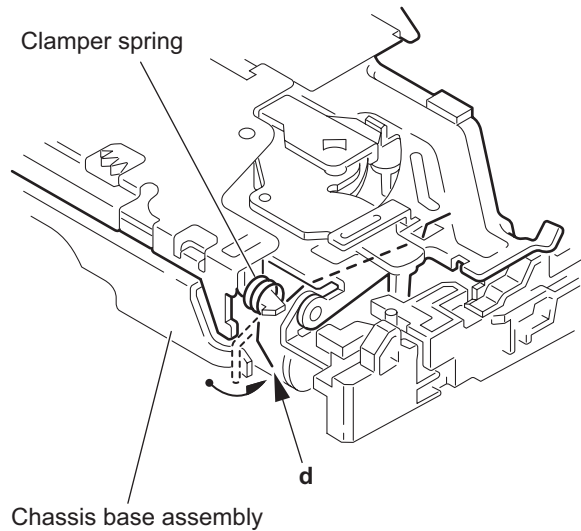


Fig.7

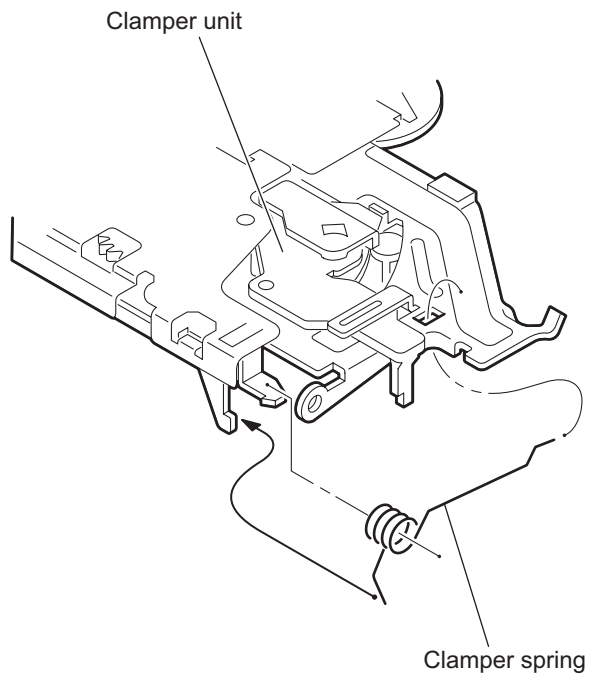


Fig.8

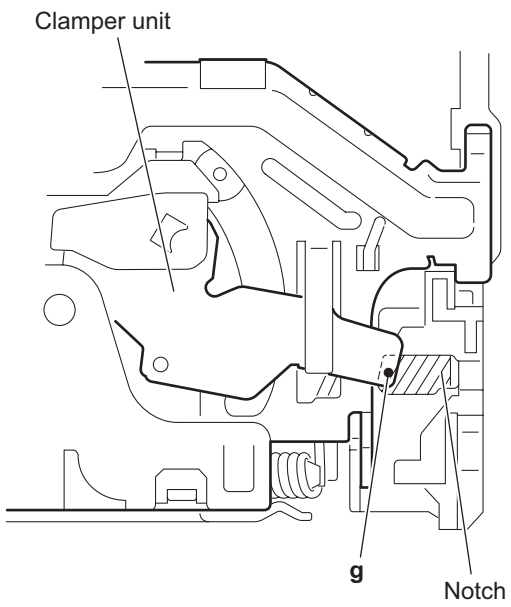


Fig.9

3.2.6 Removing the front unit (See Fig.10 to 12)

- Remove the top cover and the mechanism section.
 - Disconnect the flexible wire from connector **CN202** on the mechanism control board at the bottom of the body. (See Fig.10.)
 - Remove the screw **G** attaching the front unit on the top of the body. (See Fig.11.)
 - Move the front unit toward the front to release joint **h**, and release two joints **i** and **j** on the right side of the chassis base assembly. Then remove the front unit upward. (See Figs.11 and 12.)
 - Remove the two screws **H** attaching the switch board. (See Fig.12.)

Reference:

You can remove the switch board only without removing the front unit.

Caution:

When reassembling, attach the flexible wire extending from the switch board using the double tape. (See Figs.10 and 12.)

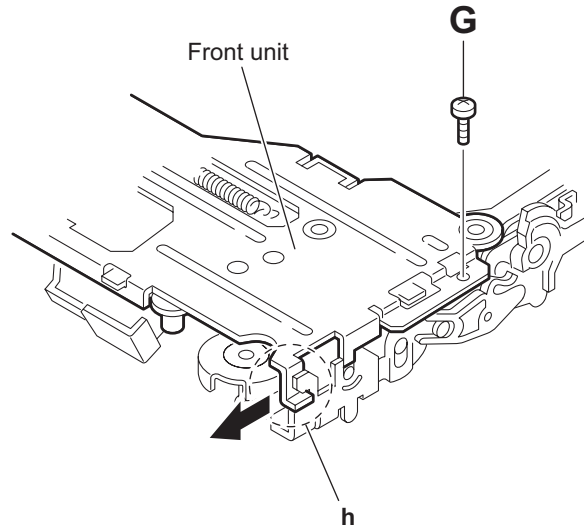


Fig.11

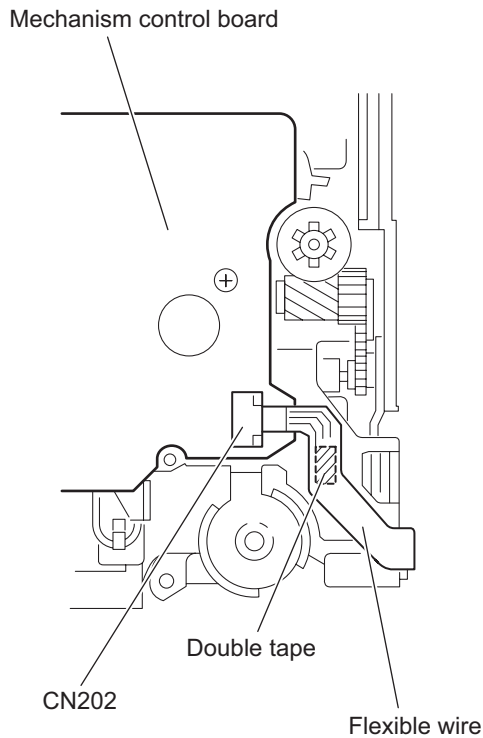


Fig.10

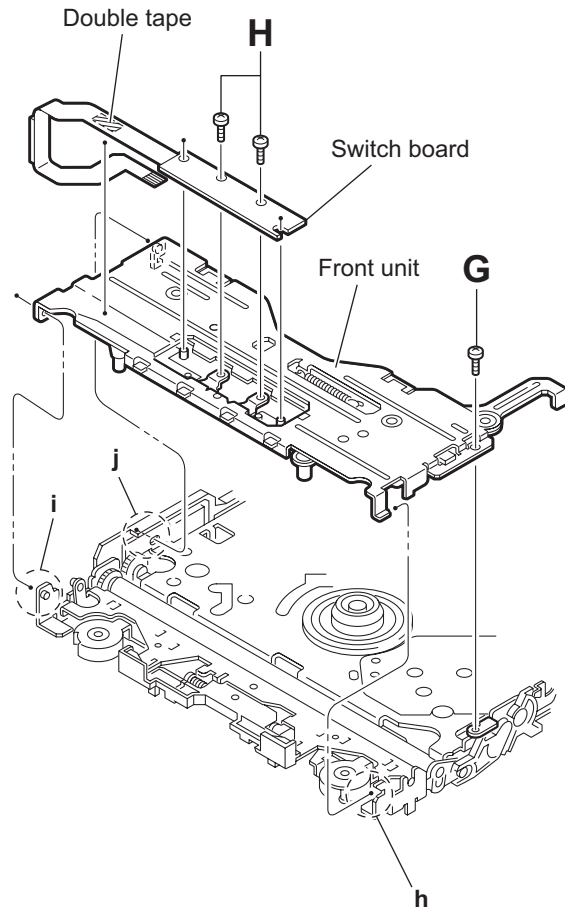


Fig.12

3.2.7 Removing the loading arm assembly (See Fig.13 , 14)

- Remove the top cover, the mechanism section and the front unit.
 - (1) From the top of the body, move the loading arm assembly from the front side upward, and release the bosses from the right and left joints **k** and **m** of the chassis base assembly.
 - (2) Release the boss from notch **n** of the connect arm on the right side of the body, and release the boss from notch **p** of the slide cam assembly on the left side.

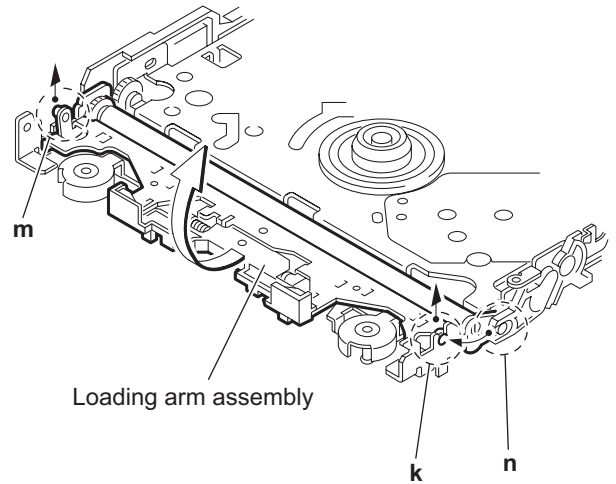


Fig.13

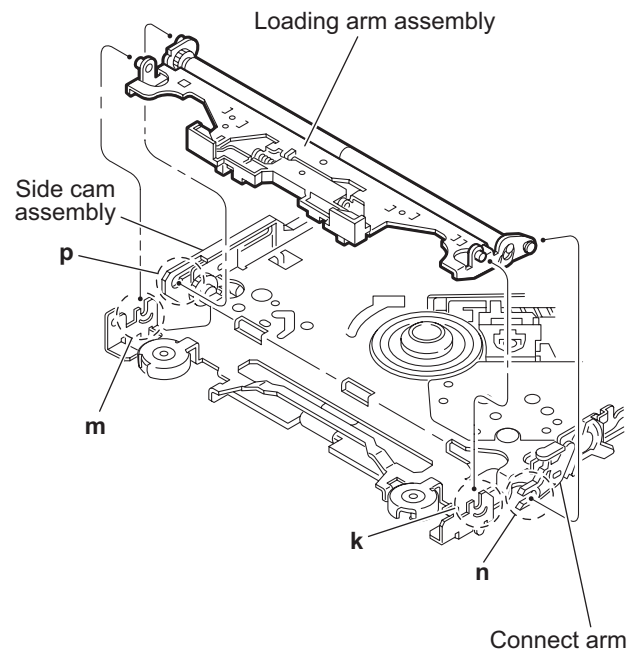


Fig.14

3.2.8 Removing the rod (L)(R)/roller assembly (See Fig.15 and 16)

- Remove the top cover, the mechanism section, the front unit and the loading arm assembly.
 - Release the rod (L) and (R) from the joints **q** at the bottom of the loading arm assembly (See Fig.15.)
 - Remove the roller assembly from the loading arm assembly. (See Fig.16.)
 - Remove the two collars and washer from the roller assembly. (See Fig.16.)

Caution:

After attaching the loading arm assembly to the roller assembly, attach the rod (L) and (R). Attach the rods to the right and left collars of the roller. (See Fig.15.)
When reattaching the rod (L) and (R) to the loading arm assembly, engage each joint as shown in Fig.15. As joints **q** of the rod (L), let the rod through **q** before reattaching it.

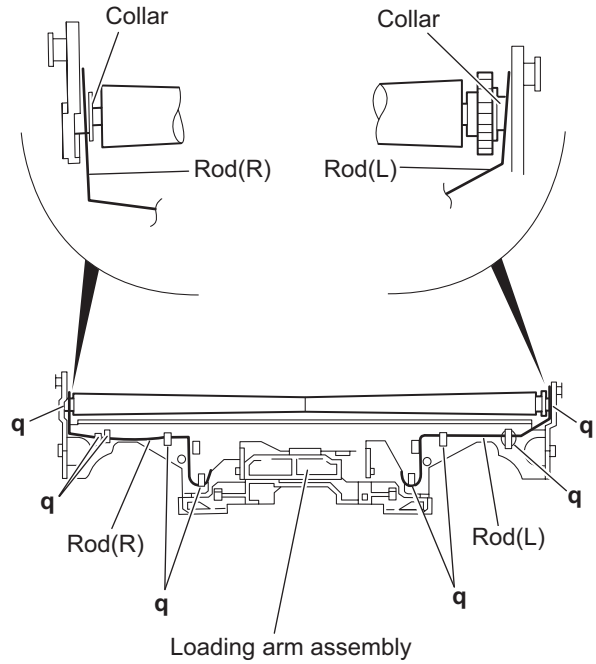


Fig.15

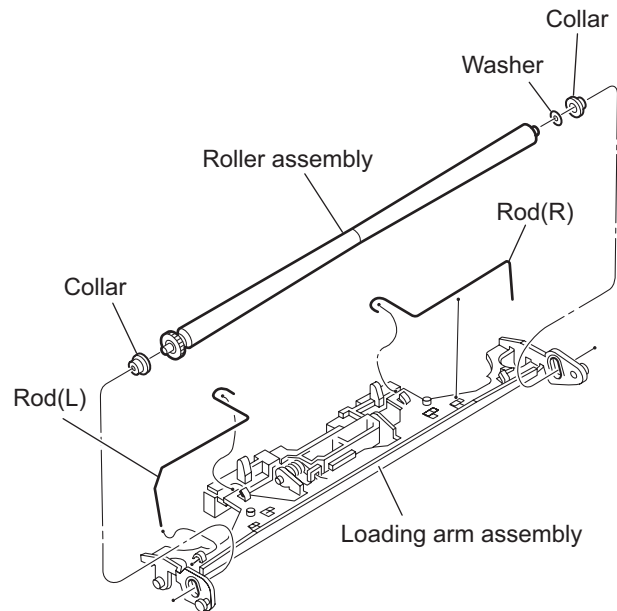


Fig.16

**3.2.9 Removing the DVD pickup assembly
(See Fig.17 to 19)**

- Remove the mechanism control board.
 - (1) From the bottom of the body, turn the feed gear in the direction of the arrow to move the DVD pickup outwards. (See Fig.17.)
 - (2) Remove the screw **J** attaching the thrust spring. (See Fig.17.)
 - (3) Remove the DVD pickup assembly upward on the L.S.gear side and release from sub shaft at joint **r**. Move the lead screw of the DVD pickup assembly in the direction of the arrow to release from joint **s**. (See Fig.18.)

Caution:

- When releasing the lead screw at joint **s**, the L.S.collar comes off at the end of the lead screw. When reassembling, reattach the L.S.collar to the lead screw and engage joint **s**. (See Fig.18.)
 - When reattaching the L.S.collar, reattach it to the point **s** of the lead screw, and to the rod (M). Make sure that the L.S.collar is set on the rod (M) spring. (See Fig.18.)
- (4) Remove the screw **K** attaching the rack spring/ rack plate on the DVD pickup. (See Fig.19.)
 - (5) Pull out the lead screw. (See Fig.19.)

Caution:

Perform adjustment after replacing the pickup.

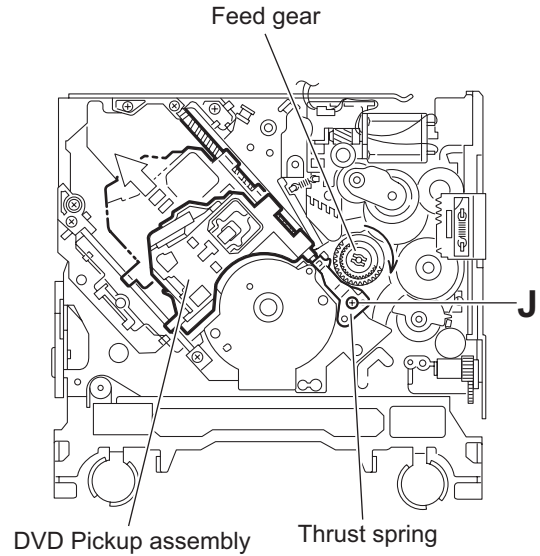


Fig.17

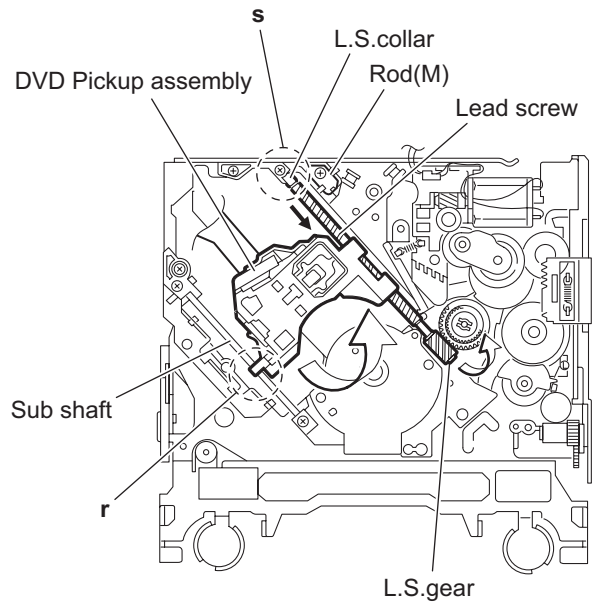


Fig.18

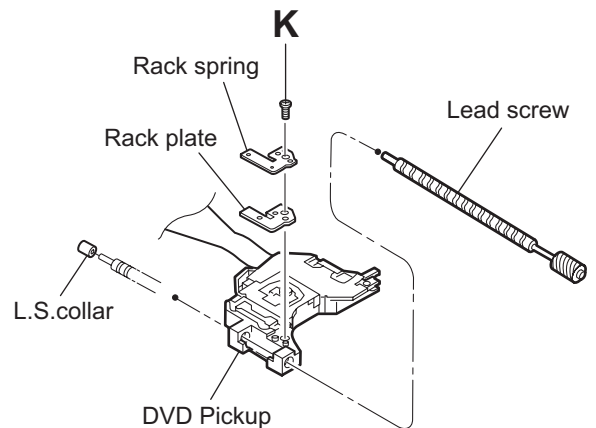


Fig.19

3.2.10 Removing the spindle motor (See Fig.20)

- Remove the mechanism control board.
Remove the two screws **L** attaching the spindle motor on the bottom of the body.

Caution:

Perform adjustment when reattaching the spindle motor.

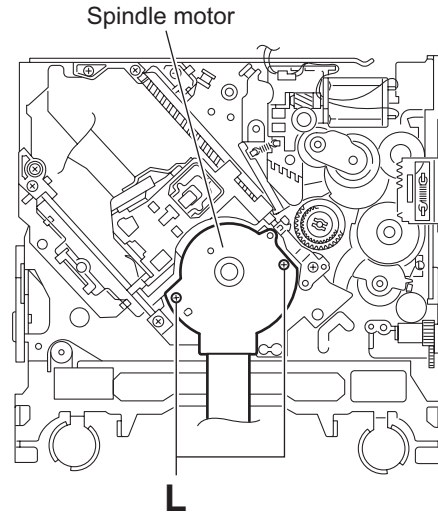


Fig.20

3.2.11 Removing the feed motor assembly (See Fig.21 and 22)

- Remove the mechanism control board.
 - Remove the feed TRI. spring on the bottom of the body.
(See Fig.21.)
 - Remove the two screws **M** attaching the feed motor assembly. (See Fig.21.)
 - Remove the slit washer from the motor H. assembly and pull out the worm wheel. (See Fig.22.)

Remove the two screws **N** attaching the feed motor. (See Fig.22.)

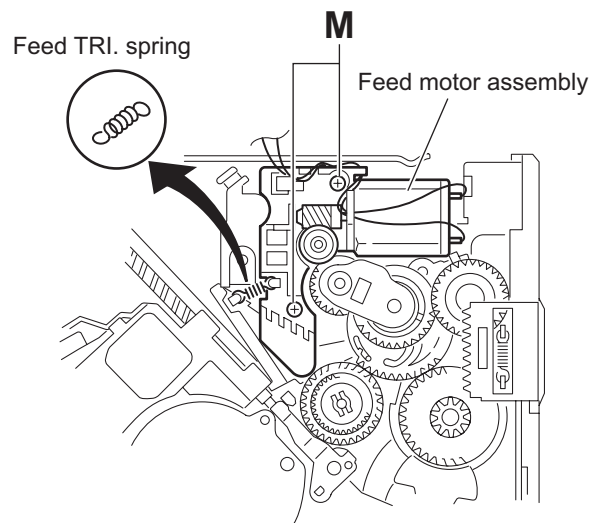


Fig.21

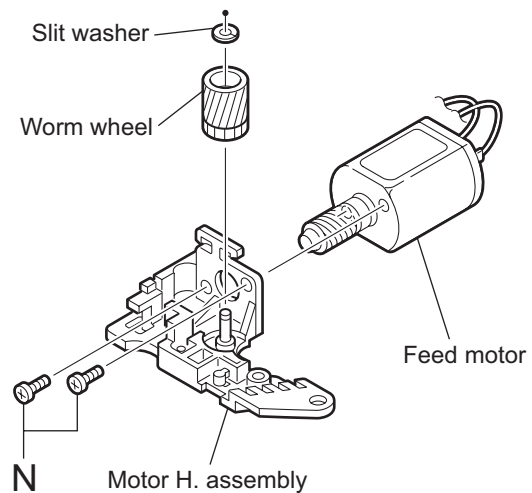


Fig.22

SECTION 4 ADJUSTMENT

4.1 Test instruments required for adjustment

- (1) Digital oscilloscope (100MHz)
- (2) Jitter meter
- (3) Digital tester
- (4) Electric voltmeter
- (5) Tracking offset meter
- (6) Test Disc : VT501 or VT502
- (7) Extension studs : STDV001-3P
- (8) Extension cable : EXTDV002-30P

4.2 Standard measuring conditions

Power supply voltage	DC14.4V(11 to 16V)
Load impedance	4Ω(2 Speakers connection)
Line Output	20KΩ

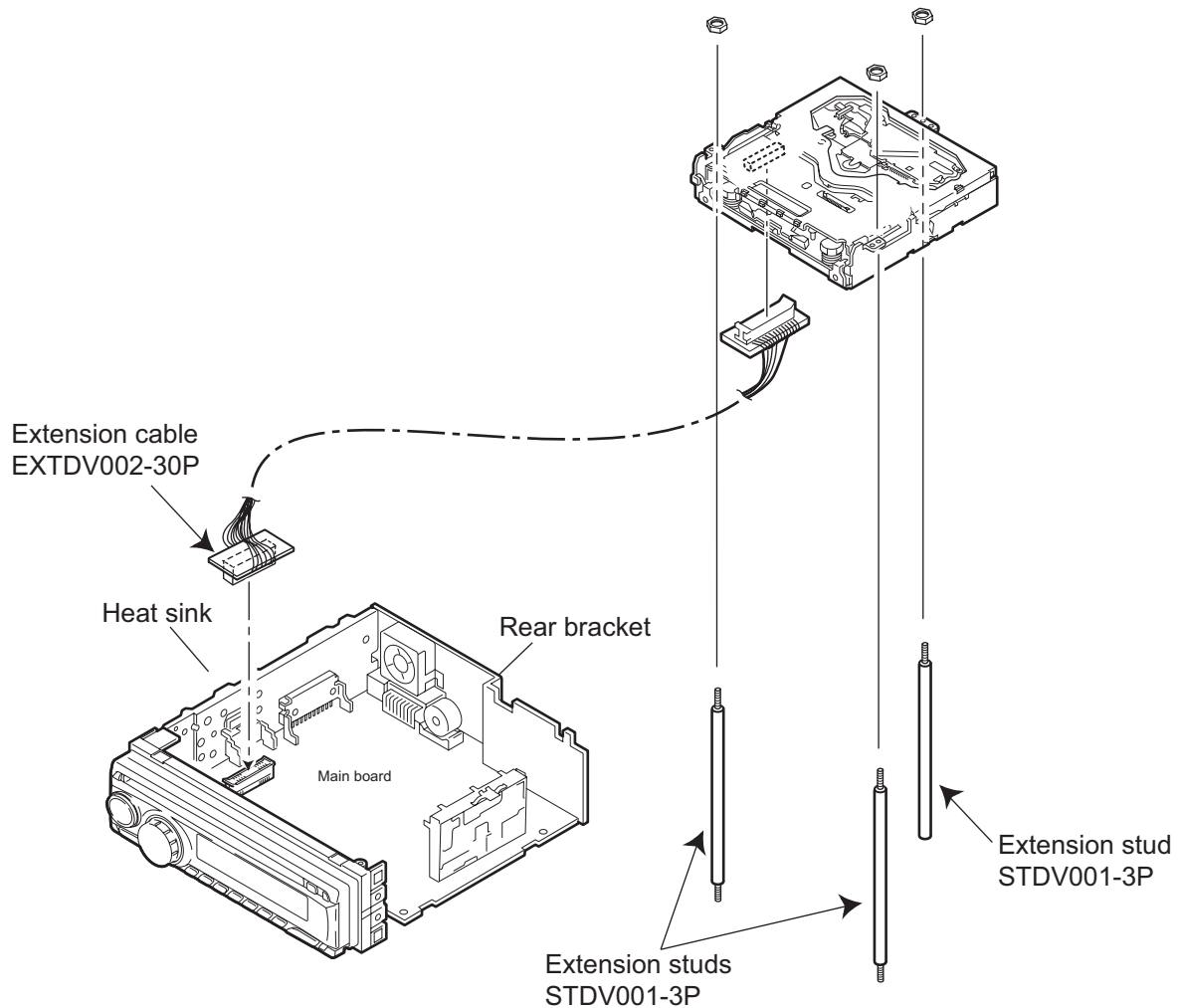
Caution:

Be sure to attach the heat sink and rear bracket onto the power amplifier IC and regulator IC respectively, before supply the power. If voltage is applied without attaching these parts, the power amplifier IC and regulator IC will be destroyed by heat.

4.3 Connection method

Connection procedure

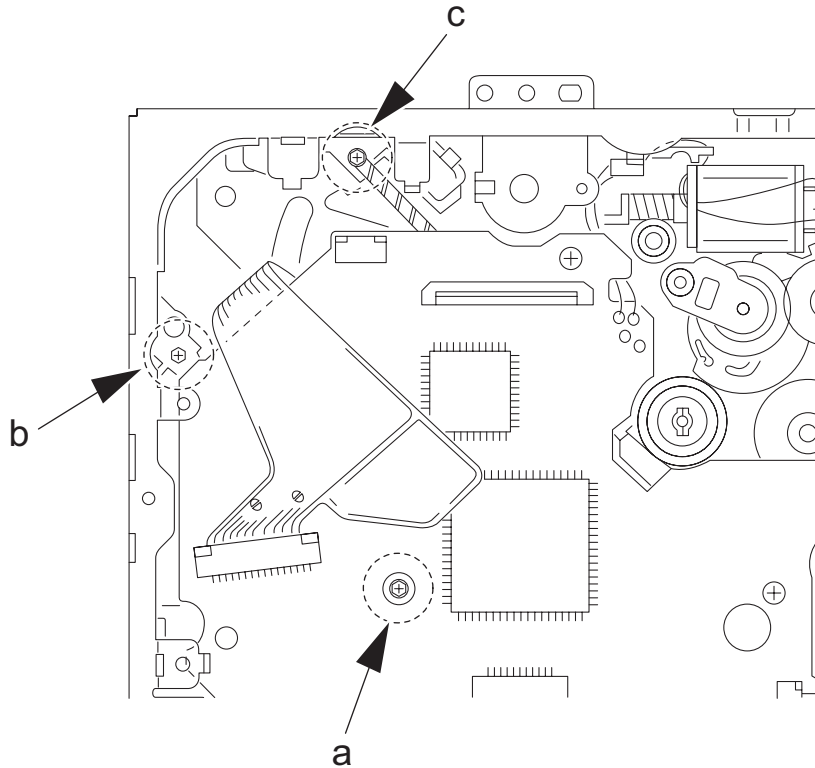
- (1) Attach the front chassis assembly to the main board.
- (2) Connect the front panel assembly to the main board.
- (3) Attach the heat sink and rear bracket to the main board.
- (4) Attach the extension studs to the DVD mechanism assembly.
- (5) Connect the DVD mechanism assembly and the main board with a extension cable.



After replacing the pickup, set the unit in the service mode to display a jitter value on the LCD. Confirm that the jitter value measured with a jitter meter is within 12% of the jitter value displayed on the LCD. If it is within 12%, then adjustment is not necessary. Please note that a jitter value displayed on the LCD is hex data. Refer to the corresponding decimal notation value using the Jitter Conversion Table and confirm it with the measured value.

Fix the screws "a", "b" and "c" with screw lock paint.

If the measured jitter value is outside the 12% tolerance range, perform the following adjustments.



Jitter value adjustment procedure (Pickup horizontal level adjustment relative to the DVD recording surface)
(For the adjustment tool use a 3 mm wrench and not a screwdriver, this procedure will make the adjustment easier.)

3 mm wrench



- (1) Set the unit to the service mode and display a jitter value (hex data) on the LCD.
- (2) Turn each of the screws **a**, **b** and **c**, by a half-turn per step, in the direction that reduces the jitter value in order to minimize it.
(Do not turn a screw more than a half turn at a time, but adjust the screw in the cycle of same level turn by pair of **b+c**→ pair of **a+b**.)
- (3) After completing the adjustment, secure the screws with screw lock paint.

4.4 Jitter value conversion table

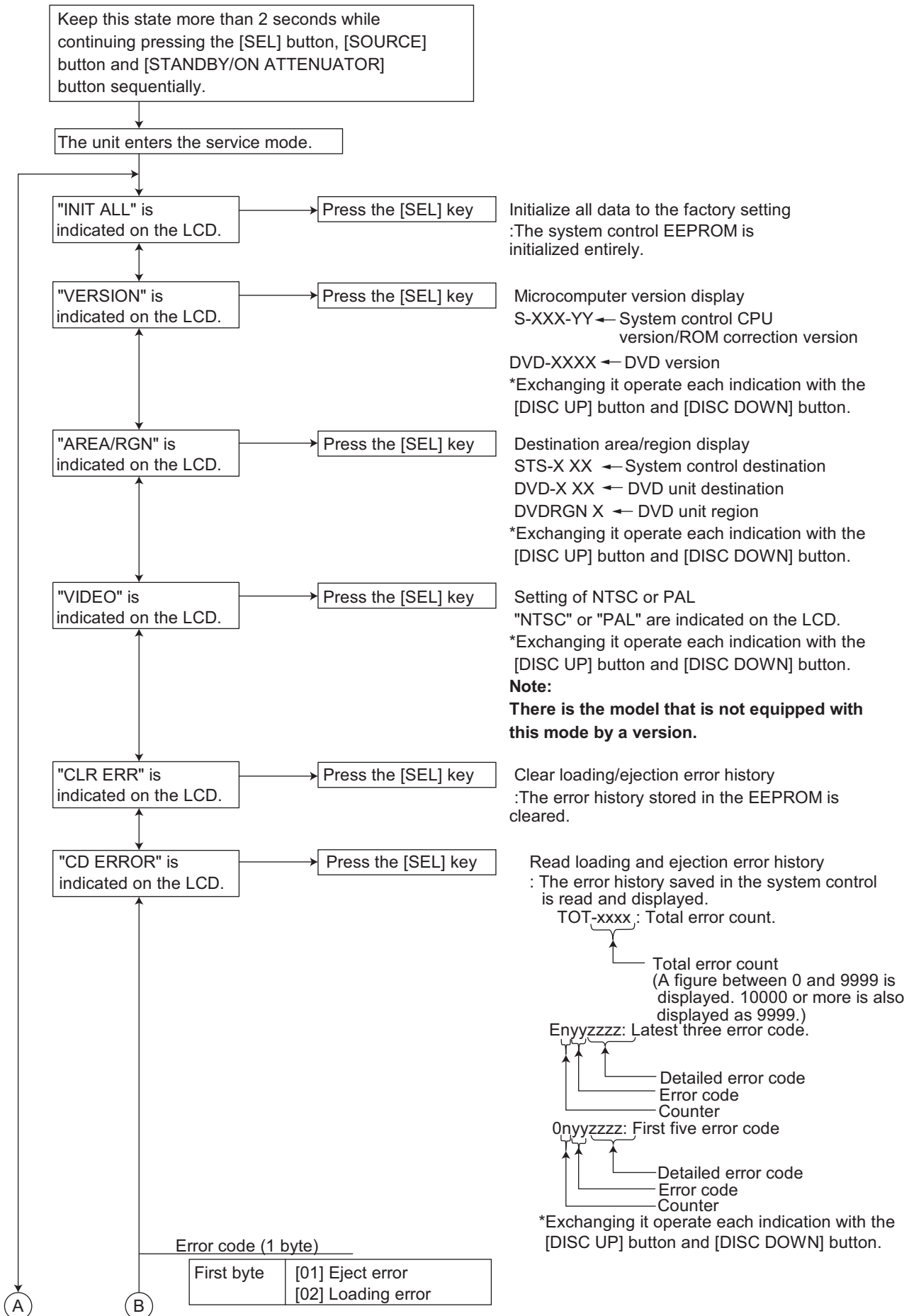
Load the test DVD and set the unit to the service mode. A jitter value converted to the hex value is displayed on the LCD. Refer to the corresponding decimal notation value shown in the following Jitter Conversion Table.

The adjustment is OK if the jitter value measured with a jitter meter is within 12% of the jitter value displayed on the LCD. If the measured jitter value is outside the 12% tolerance range, adjust it to minimize the difference between the measured value and the displayed value.

Indicated on the LCD	Jitter value (%)	Indicated on the LCD	Jitter value (%)	Indicated on the LCD	Jitter value (%)
EF56	4.7	E79E	8.5	DFE6	12.3
EF22	4.8	E76A	8.6	DFB2	12.4
EEEE	4.9	E736	8.7	DF7E	12.5
EEBA	5.0	E702	8.8	DF4A	12.6
EE86	5.1	E6CE	8.9	DF16	12.7
EE52	5.2	E69A	9.0	DEE2	12.8
EE1E	5.3	E666	9.1	DEAE	12.9
EDEA	5.4	E632	9.2	DE7A	13.0
EDB6	5.5	E5FE	9.3	DE46	13.1
ED82	5.6	E5CA	9.4	DE12	13.2
ED4E	5.7	E596	9.5	DDDE	13.3
ED1A	5.8	E562	9.6	DDAA	13.4
ECE6	5.9	E52E	9.7	DD76	13.5
ECB2	6.0	E4FA	9.8	DD42	13.6
EC7E	6.1	E4C6	9.9	DD0E	13.7
EC4A	6.2	E492	10.0	DCDA	13.8
EC16	6.3	E45E	10.1	DCA6	13.9
EBE2	6.4	E42A	10.2	DC72	14.0
EBAE	6.5	E3F6	10.3	DC3E	14.1
EB7A	6.6	E3C2	10.4	DC0A	14.2
EB46	6.7	E38E	10.5	DBD6	14.3
EB12	6.8	E35A	10.6	DBA2	14.4
EADE	6.9	E326	10.7	DB6E	14.5
EAAA	7.0	E2F2	10.8	DB3A	14.6
EA76	7.1	E2BE	10.9	DB06	14.7
EA42	7.2	E28A	11.0	DAD2	14.8
EA0E	7.3	E256	11.1	DA9E	14.9
E9DA	7.4	E222	11.2	DA6A	15.0
E9A6	7.5	E1EE	11.3	DA36	15.1
E972	7.6	E1BA	11.4	DA02	15.2
E93E	7.7	E186	11.5	D9CE	15.3
E90A	7.8	E152	11.6	D99A	15.4
E8D6	7.9	E11E	11.7	D966	15.5
E8A2	8.0	E0EA	11.8	D932	15.6
E86E	8.1	E0B6	11.9	D8FE	15.7
E83A	8.2	E082	12.0	D8CA	15.8
E806	8.3	E04E	12.1	D896	15.9
E7D2	8.4	E01A	12.2	D862	16.0



4.5 Operation procedure



(A)

(B)

Detailed error code (2 bytes)

*Displayed with loading/ejection error only.

First byte	Higher 4 bits	Route NO. (Process of error occurrence) → Refer to charts 1.1 and 1.2.
	Lower 4 bits	Error type [1] Time out [2] Switch status error [3] Swinging error
Second byte	bit7	Disc type (0: 12 cm. 1: 8 cm)
	bit6,5	Fixed at 0
	bit4	SW 1 status
	bit3	SW 2 status
	bit2	SW 3 status
	bit1	SW 1 status
	bit0	RESET SW status

(Example) When a switch status error occurs during loading route 3 and the switch status is L/L/H/H/H (00111B = 07H), the error code and detailed error code become: [09 3207].

Route No.(EJECT route No.)	SW1/2/3/4	[Rest SW]	Loading	Eject	Reload	
-	1,1,1,1	[0]	No Disc	No Disc		
1(2)	0,1,1,1	[0]	↓	↑ Eject completion	Disc push in	
1(2)	0,0,1,1	[0]			Reload start	
2(2)	0,0,0,1	[0]		↓	↑	↓
2(2)	0,0,1,1	[0]				
2(2)	0,1,1,1	[0]				
2(2)	1,1,1,1	[0]		↓	↑	↓
3(1)	1,1,1,0	[0]				
3(1)	1,1,1,0	[1]	Load completion	Eject start	Load completion	

Chart 1.1 12cm Disc switch status transition

Route No.(EJECT route No.)	SW1/2/3/4	[Rest SW]	Loading*	Eject	Reload	
-	1,1,1,1	[0]	No Disc	No Disc		
1(2)	0,1,1,1	[0]	↓	↑ Eject completion	Disc push in	
1(2)	0,0,1,1	[0]			Reload start	
2(2)	0,1,1,1	[0]		↓	↑	↓
2(2)	0,1,1,1	[0]				
2(2)	1,1,1,1	[0]				
3(1)	1,1,1,0	[0]		↓	↑	↓
3(1)	1,1,1,0	[1]				
3(1)	1,1,1,0	[1]	Load completion	Eject start	Load completion	

*Transition in the center loading (Similar to 12cm in the side loading)

Chart 1.2 8cm Disc switch status transition

"DVD-TEMP" is indicated on the LCD.

Press the [SEL] key

Thermistor's temperature data readout : Data in the temperature sensor in the DVD unit is read every 5 seconds and displayed in hex numbers.

"SYS-TEMP" is indicated on the LCD.

Press the [SEL] key

Thermistor's temperature data readout : Data in the temperature sensor in the system control is read every 5 seconds and displayed in hex numbers.

"CHK MODE" is indicated on the LCD.

Press the [SEL] key

DVD unit check mode (See section "DVD unit check mode" for details.)

"RUNNING" is indicated on the LCD.

Press the [SEL] key

Running mode: For use in running tests.

"MEMCHECK" is indicated on the LCD.

Press the [SEL] key

Memory check : The remaining data capacity of the disc is displayed on the LCD.

"INIT" is indicated on the LCD.

Press the [SEL] key

Initialize user set data : The system control EEPROM is initialized except for the loading/ejection error history.

4.6 DVD unit check mode

Change LCD indication with a [FF ►►] button and a [REW ◀◀] button.

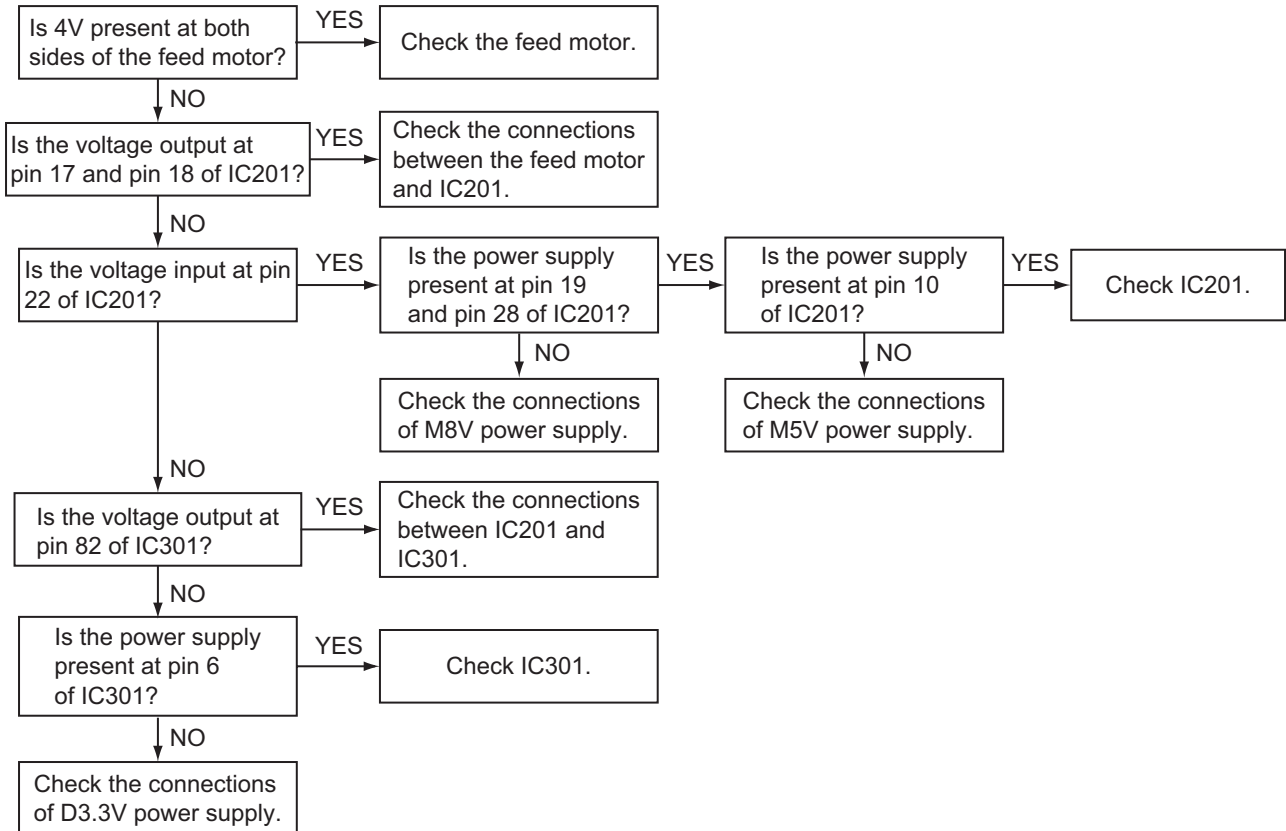
Check item list

No.	A/D key	DVD unit operation	Example of LCD indication	Indication contents
1	[1]	Start at normal speed (After start, it is measured JITTER on the internal position)	NORMPLAY CUR * * * * JIT * * * *	Laser current value Jitter value
2	[2]	Tracking off on the outermost position of CD	EF-BAL OUTTROFF	For EF phase error
3	[3]	Tracking off on the innermost position of CD	EF-BAL INNTROFF	For EF phase error
4	[4]	CD_LD lights and laser current is displayed	CDLD ON CUR * * * * JIT * * * *	Laser current value Jitter value
5	[5]	DVD_LD lights and laser current is displayed	DVDLD ON CUR * * * * JIT * * * *	Laser current value Jitter value
6	[6]	DVD x1 jitter measuring mode (for use in mechanism measurement)	DVDx1JIT CUR * * * * JIT * * * *	Laser current value Jitter value
7	[DISP]	Indication of EEPROM contents	ROM DATA ADDR * * * * DATA * * * *	EEPROM address EEPROM contents
8	[SOURCE]	Initialization of EEPROM contents	ROMCLEAR	
9	[SEL]	Indication of temperature	TEMP TEMP * * * *	Temperature
10	[MODE]	Search & jitter measurement to an appointed position of DVD	DVD JIT PLC * * * * JIT * * * *	(Position measured with VT-501 jitter value)
11	[BAND]	Setting of MONITOR terminal	MONITOR M1 * * * * M2 * * * *	
12	[DISC UP ▲]	DVDx1 double speed start (After start, it is measured JITTER on the internal position)	PLAY CUR * * * * JIT * * * *	Laser current value Jitter value
13	[DISC DW ▼]	Disc stopped & LD-OFF	STOP	

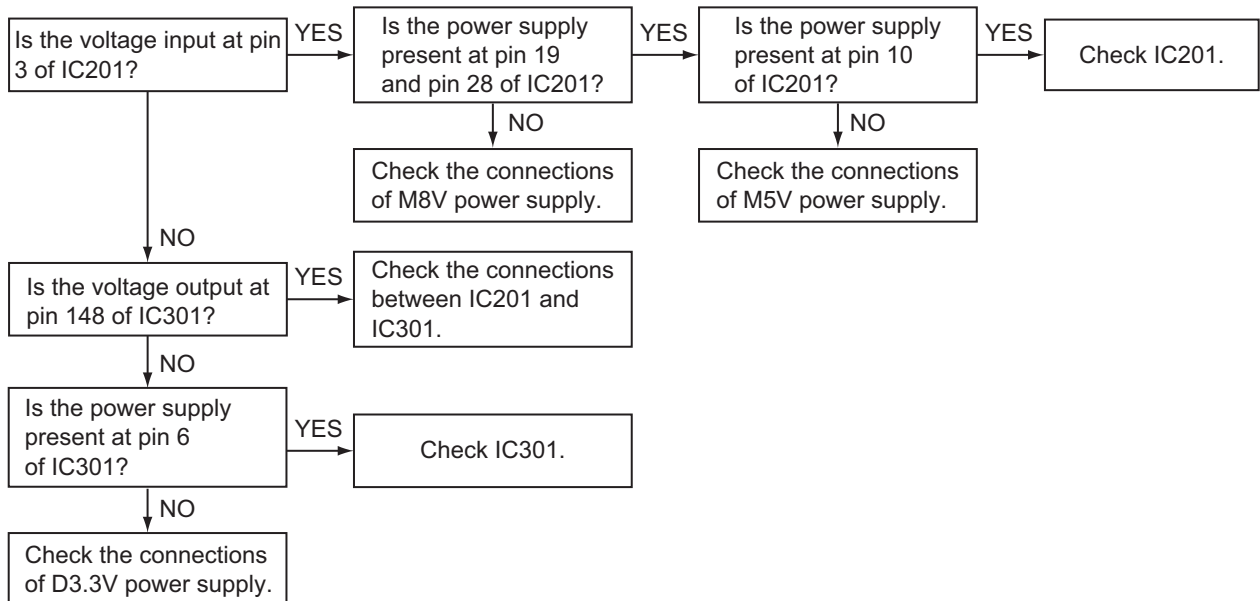
- Note
- In the case of the jitter measurement: Begin a service mode after insert a disc.
 - Press key [1] of No.1 before an item in which the No.2 or 3 key is pressed.
 - Press key [1] of No.1 or key [12] of No.12 before an item in which the No.10 key is pressed and confirm the indication of jitter value on the LCD.
 - No.6 starts only a DVD1 layer disc. Even other discs start DVD1 layer.
 - When No.1 and No.12 are pushed after jitter indication, a focus jump is executed. (only DVD2 layer)
 - Stop a disc before OPEN, CLOSE by all means.(OPEN and CLOSE are not executed in a disc turn.)
 - The check mode can be exited either by pressing the [POWER] key or by resetting the unit.

SECTION 5 TROUBLESHOOTING

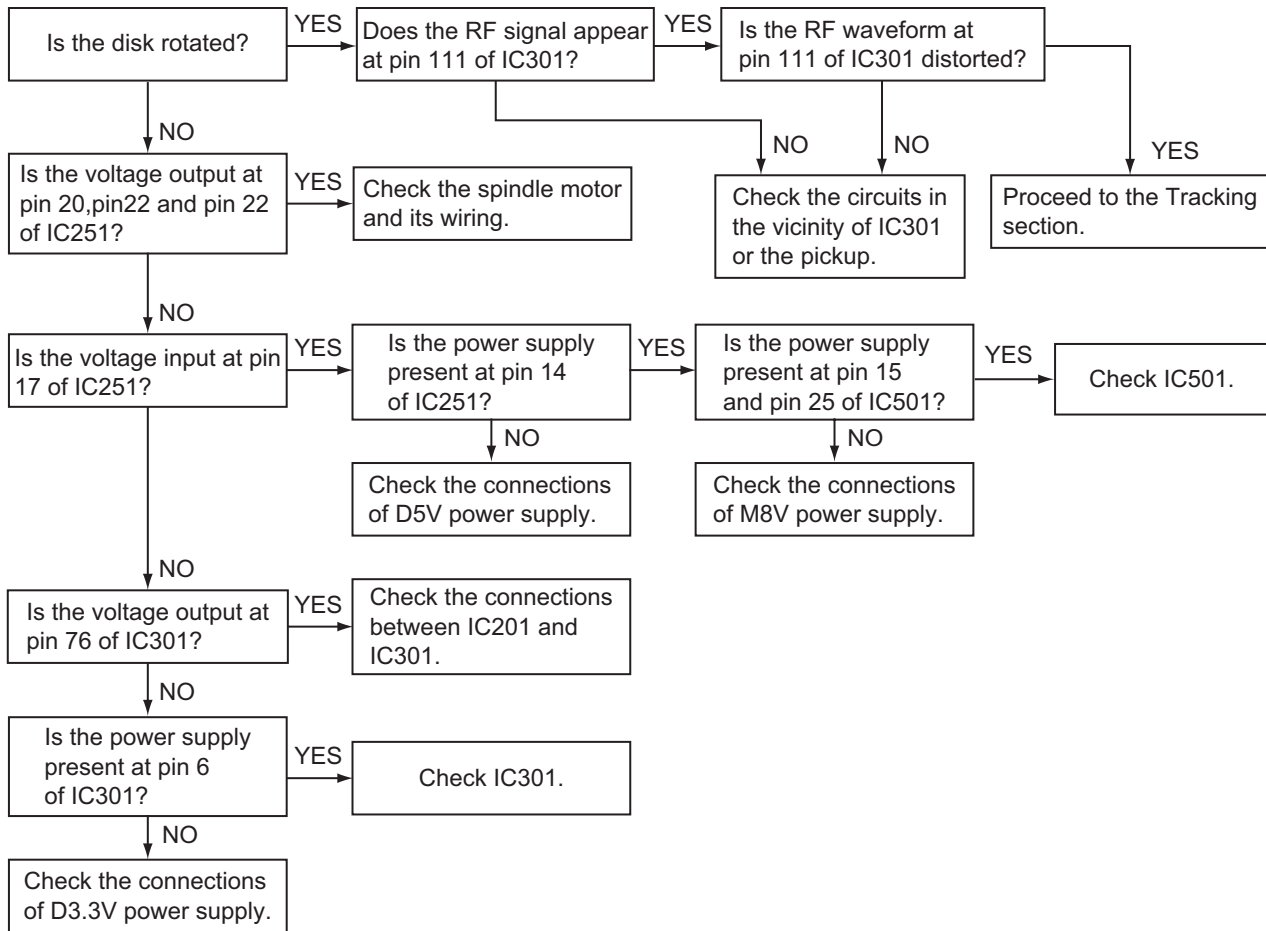
5.1 Feed section



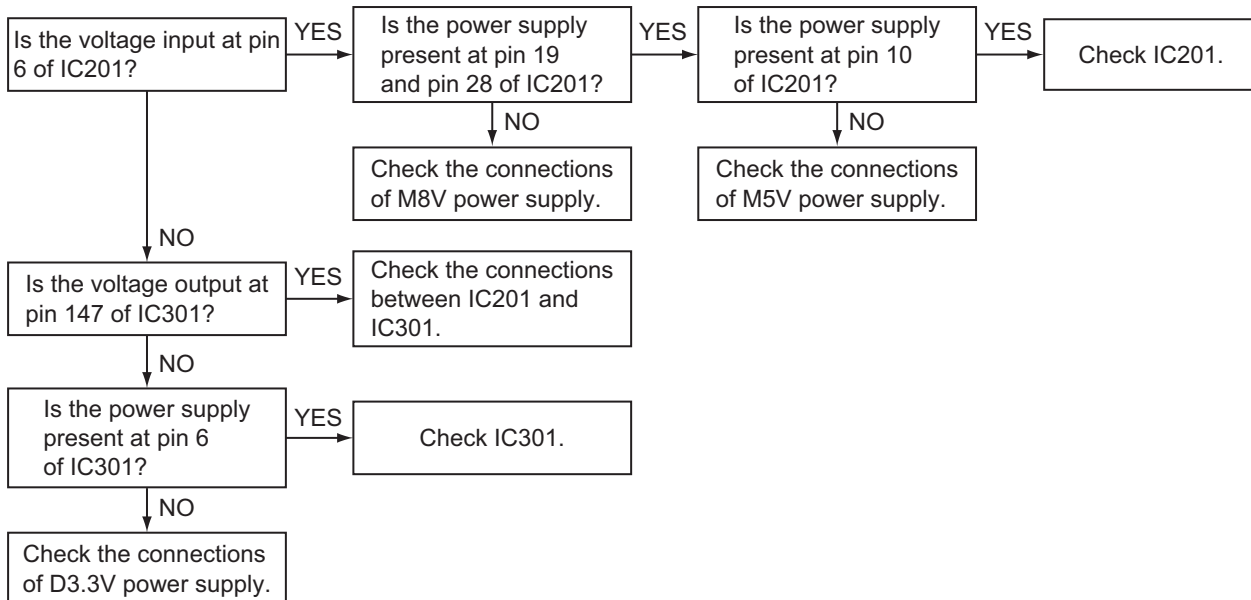
5.2 Focus section



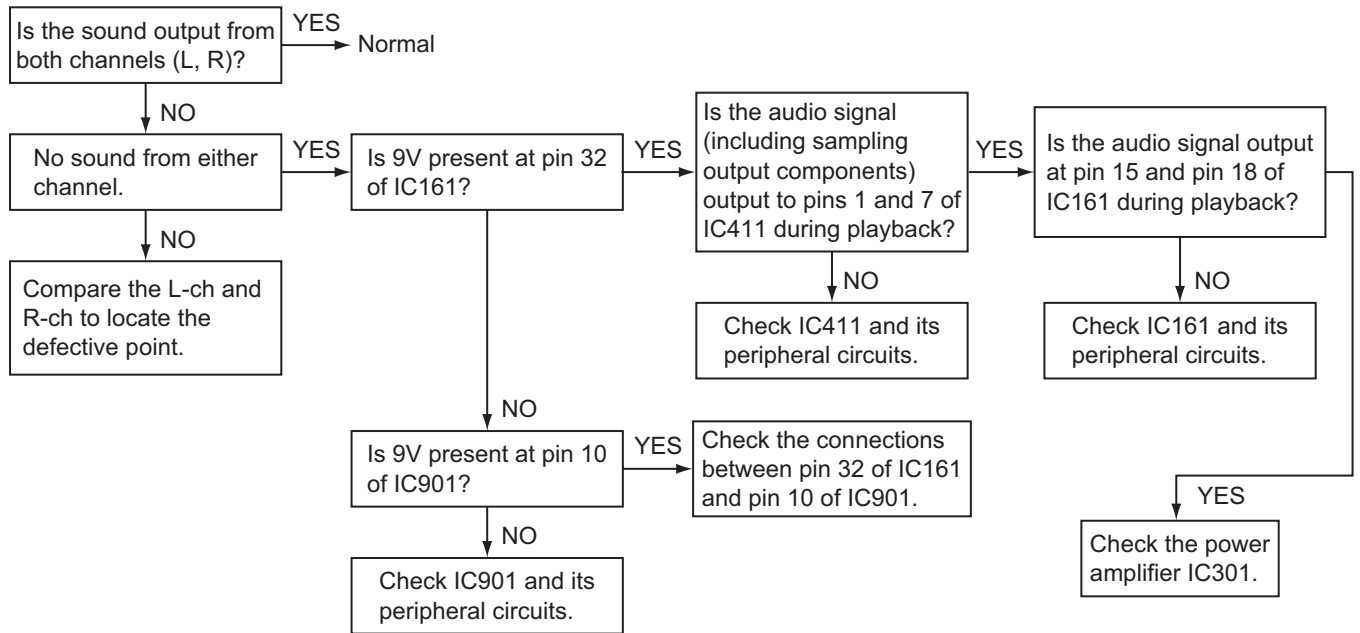
5.3 Spindle section



5.4 Tracking section

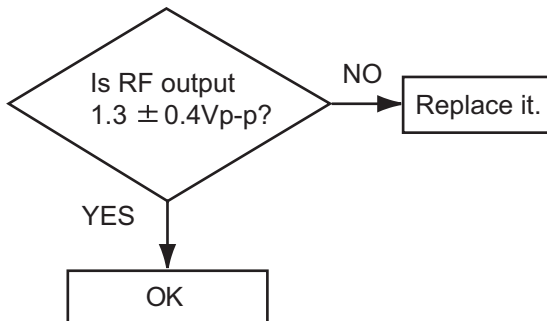


5.5 Signal processing section



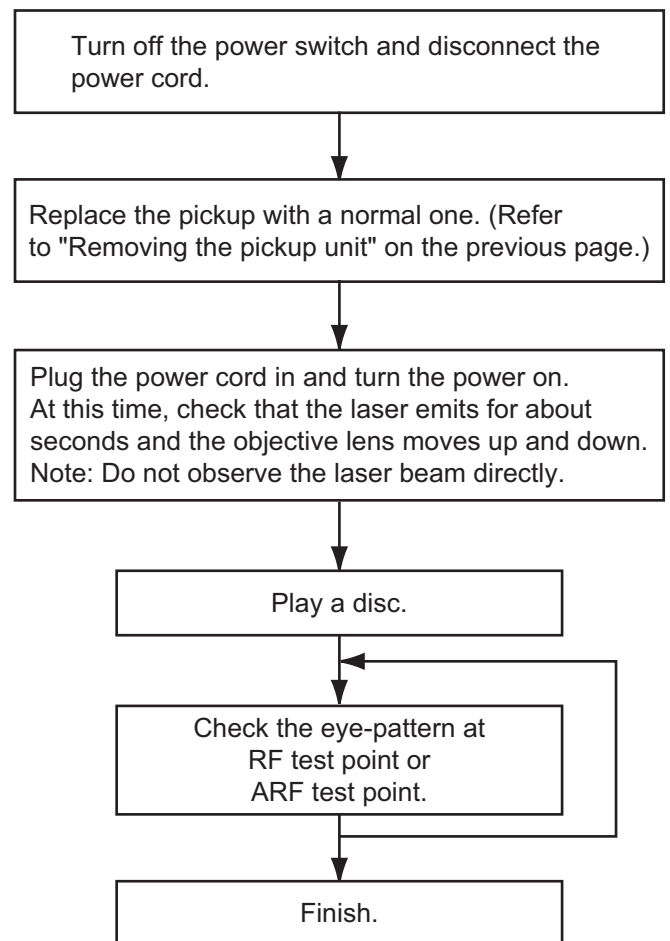
5.6 Maintenance of laser pickup

- (1) Cleaning the pick up lens
Before you replace the pick up, please try to clean the lens with a alcohol soaked cotton swab.
- (2) Life of the laser diode
When the life of the laser diode has expired, the following symptoms will appear.
 - The level of RF output (EFM output: amplitude of eye pattern) will be low.

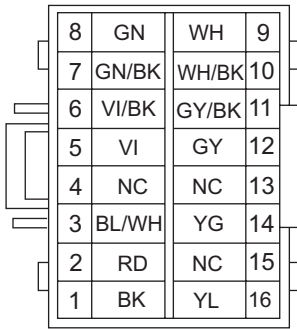


- (3) Semi-fixed resistor on the APC PC board
The semi-fixed resistor on the APC printed circuit board which is attached to the pickup is used to adjust the laser power. Since this adjustment should be performed to match the characteristics of the whole optical block, do not touch the semi-fixed resistor.
If the laser power is lower than the specified value, the laser diode is almost worn out, and the laser pickup should be replaced. If the semi-fixed resistor is adjusted while the pickup is functioning normally, the laser pickup may be damaged due to excessive current.

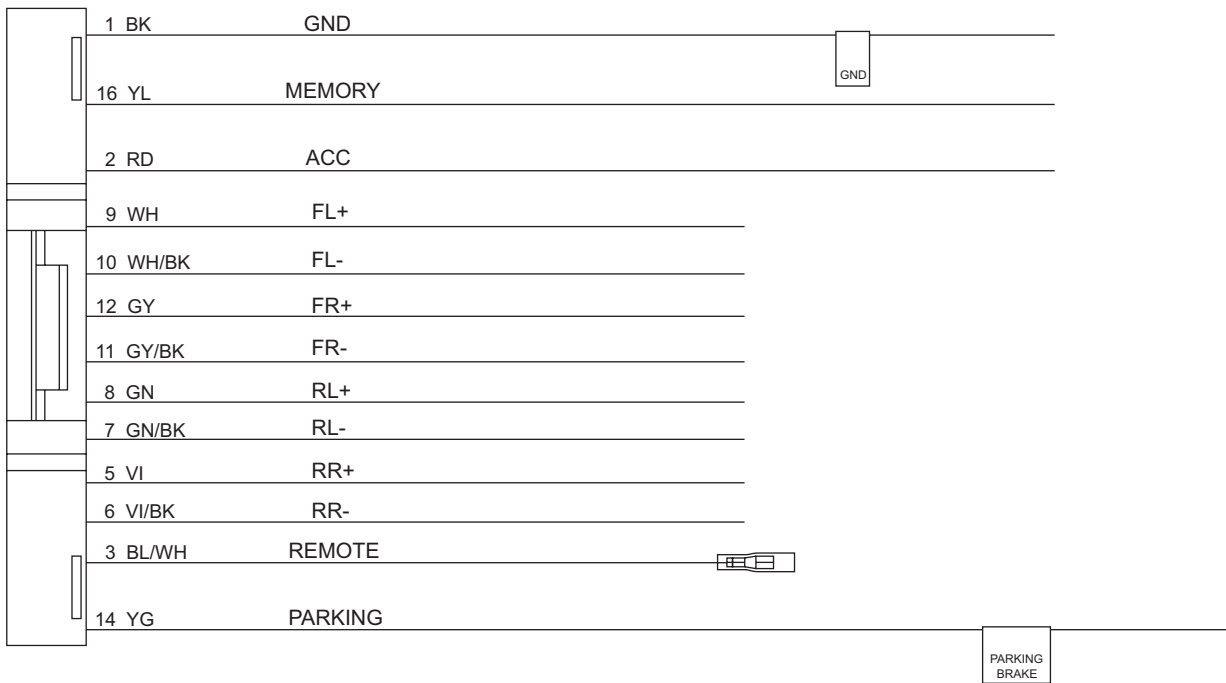
5.7 Replacement of laser pickup



5.8 16PIN CORD DIAGRAM (for KD-DV4200)

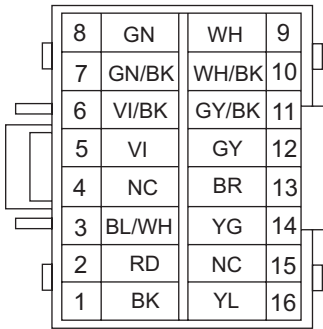


BK	Black	GN	Green
RD	Red	VI	Violet
BL	Blue	GY	Gray
WH	White	YL	Yellow
		YG	Yellow Green

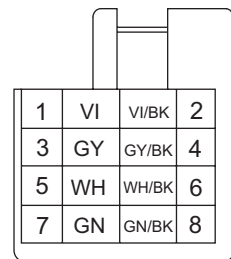
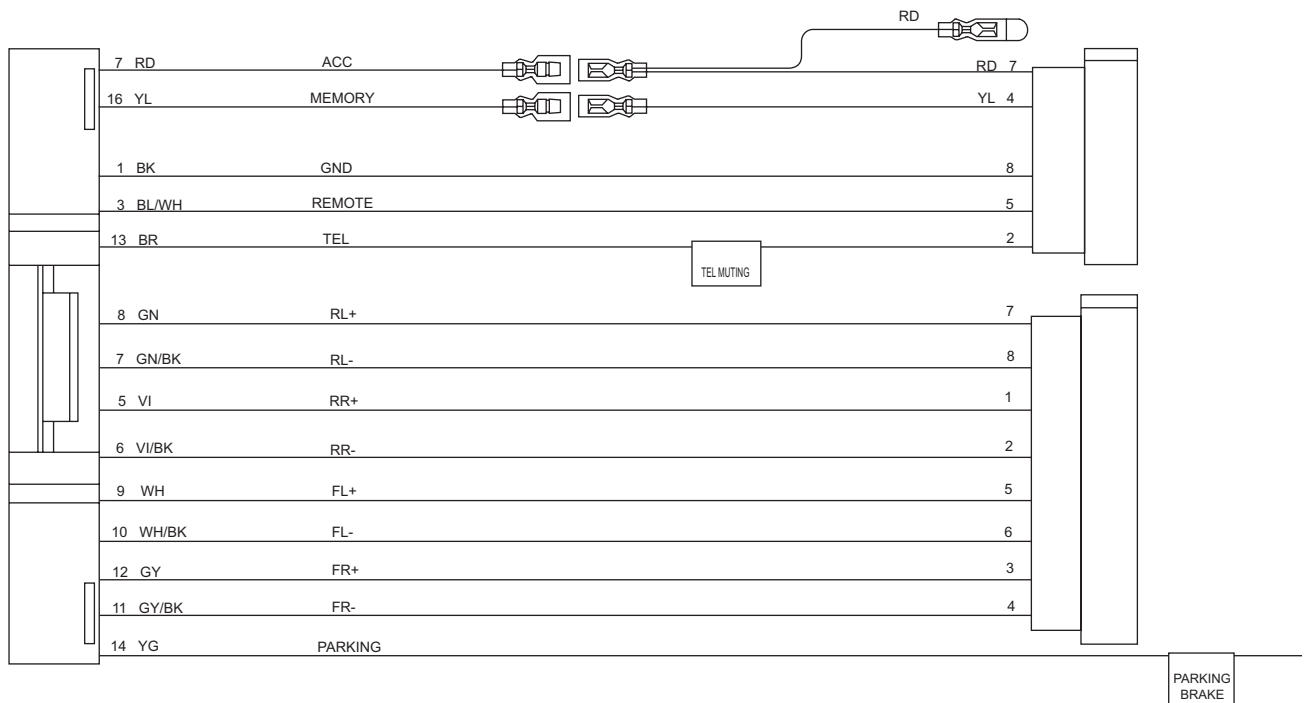
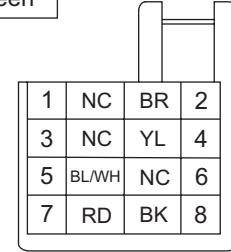


RR	Rear Right	ACC	ACC Line
FR	Front Right	GND	Ground
FL	Front Left	MEMORY	Memory Backup Battery+
RL	Rear Left	PARKING	Parking Brake
REMOTE	Remote		

5.9 16 PIN CORD DIAGRAM (for KD-DV4201,KD-DV4201,KD-DV4202,KD-DV4207)

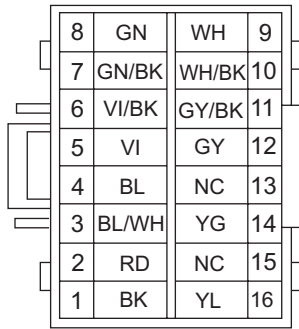


BK	Black	GN	Green
RD	Red	VI	Violet
BL	Blue	GY	Gray
WH	White	YL	Yellow
BR	Brown	YG	Yellow Green

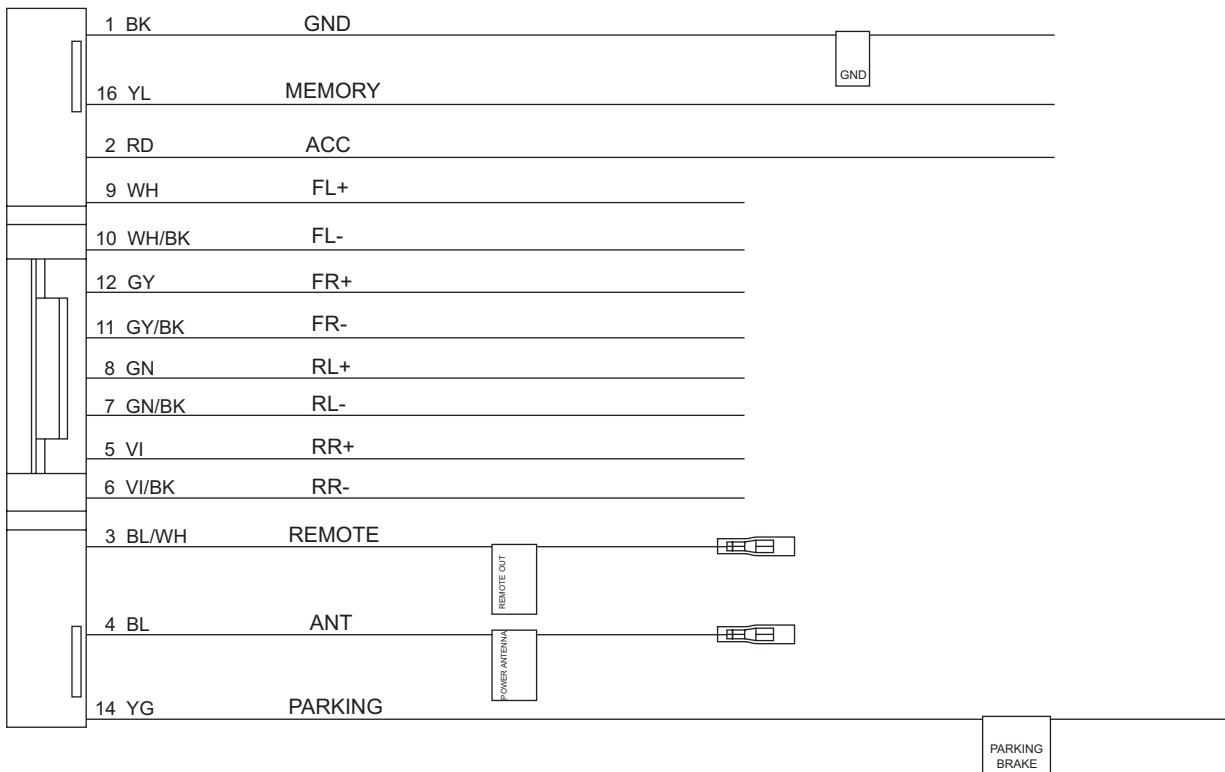


RR	Rear Right	ACC	ACC Line
FR	Front Right	TEL	Telephone Muting
FL	Front Left	GND	Ground
RL	Rear Left	MEMORY	Memory Backup Battery+
REMOTE	Remote	PARKING	Parking Brake

5.10 16PIN CORD DIAGRAM (for KD-DV4203,KD-DV4204,KD-DV4205,KD-DV4206)



BK	Black	GN	Green
RD	Red	VI	Violet
BL	Blue	GY	Gray
WH	White	YL	Yellow
		YG	Yellow Green



RR	Rear Right	ACC	ACC Line
FR	Front Right	GND	Ground
FL	Front Left	MEMORY	Memory Backup Battery+
RL	Rear Left	PARKING	Parking Brake
REMOTE	Remote	ANT	Auto Antenna



JVC

Victor Company of Japan, Limited

Mobile Entertainment Business Group Mobile Entertainment Category 10-1,1chome,Ohwatari-machi,Maebashi-city,Gumma-ken, 371-8543,Japan

(No.MA248)



Printed in Japan
VPT

PARTS LIST

KD-DV4200J,KD-DV4201E,KD-DV4201EU
KD-DV4202E,KD-DV4202EU,KD-DV4203UI
KD-DV4204UI,KD-DV4205U,KD-DV4205UN
KD-DV4205UT,KD-DV4205A,KD-DV4206U
KD-DV4206UN,KD-DV4206UT,KD-DV4206A
KD-DV4207EE

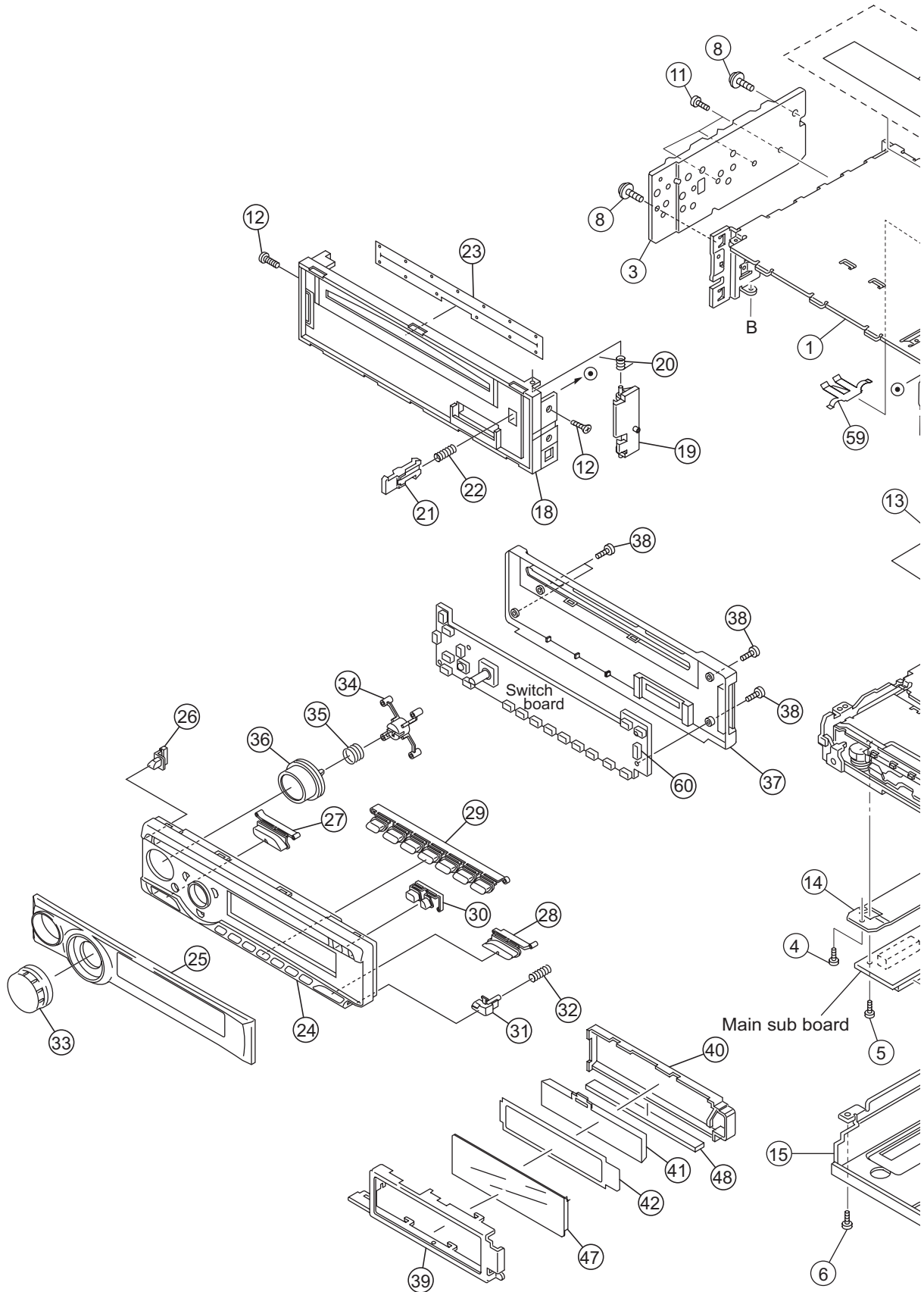
* All printed circuit boards and its assemblies are not available as service parts.

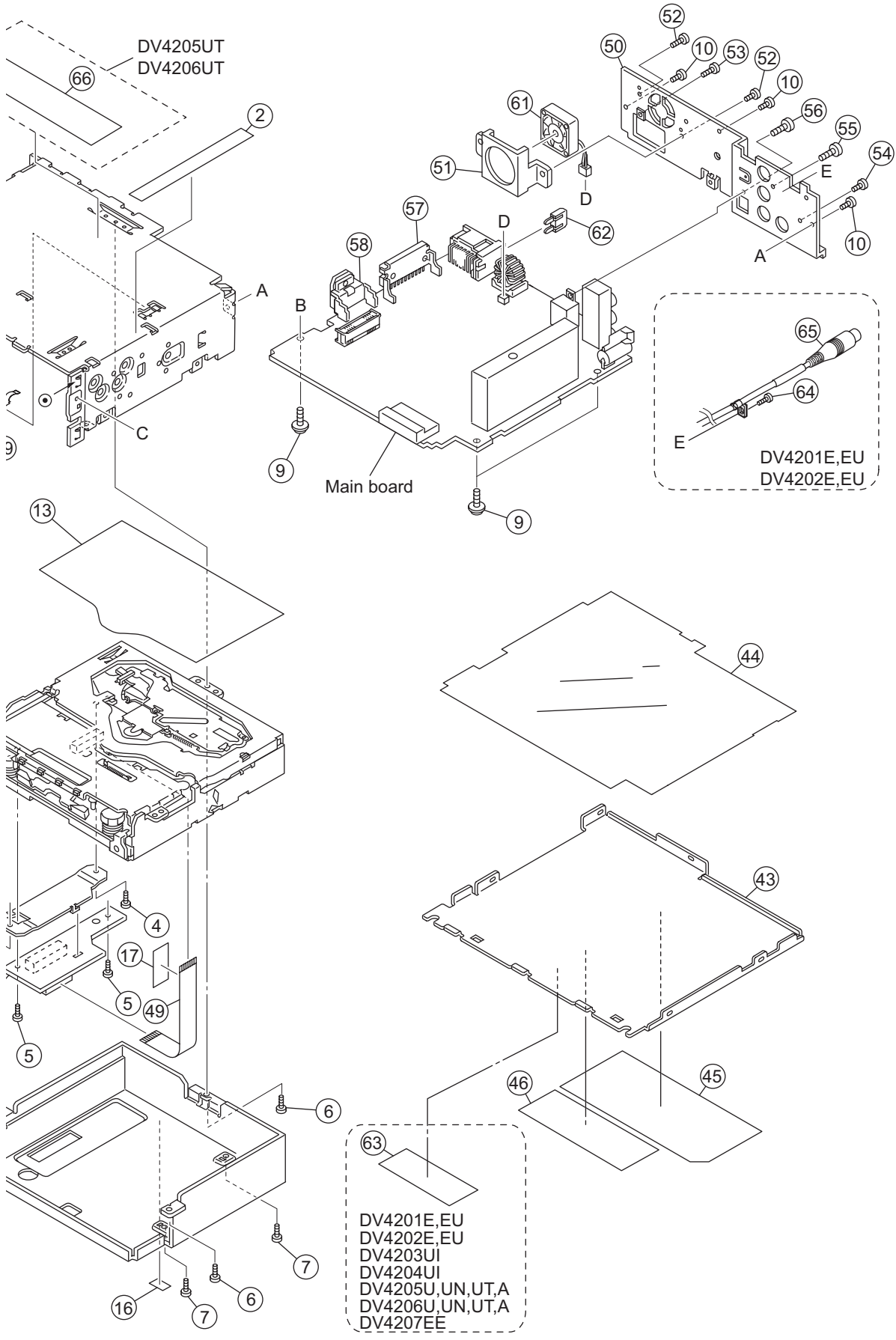
- Contents -

Exploded view of general assembly and parts list (Block No.M1).....	3- 2
DVD mechanism assembly and parts list (Block No.MJ).....	3- 6
Electrical parts list (Block No.01~09)	3- 9
Packing materials and accessories parts list (Block No.M3).....	3-26

Exploded view of general assembly and parts list

Block No. M 1 M M





General Assembly

Block No. [M][1][M][M]

Symbol No.	Part No.	Part Name	Description	Local
1	LV10774-008A	TOP CHASSIS		
2	LV40848-044A	SPACER(P)		
3	LV34061-001A	SIDE HEAT SINK		
4	QYSDST2003ZA	TAP SCREW	M2 x 3mm(x2)	
5	QYSDST2606ZA	TAP SCREW	M2.6 x 6mm(x2)	
6	QYSDST2604ZA	TAP SCREW	M2.6 x 4mm(x3)	
7	QYSDST2604ZA	TAP SCREW	M2.6 x 4mm(x2)	
8	GE40235-001A	SCREW	(x2)	
9	GE40235-004A	SCREW	(x3)	
10	QYSDST2604ZA	TAP SCREW	M2.6 x 4mm(x3)	
11	LV41200-005A	SCREW	(x3)	
12	QYSDST2004ZA	TAP SCREW	M2 x 4mm(x2)	
13	LV34460-001A	INSULATOR		
14	GE40255-001A	SUPPORT BRACKET		
15	GE20180-001A	DUST COVER		
16	GE40218-034A	SHEET		
17	GE40278-001A	SHEET		
18	GE10138-001A	FRONT CHASSIS		
19	GE31569-002A	LOCK LEVER		
20	GE40269-001A	TORSION SPRING		
21	GE31978-001A	RLS KNOB		
22	GE40202-011A	COMP.SPRING		
23	GE40294-002A	BLIND		
24	GE10144-001A	FRONT PANEL		DV4200J
24	GE10144-002A	FRONT PANEL		DV4201E,DV4201EU
24	GE10144-003A	FRONT PANEL		DV4202E,DV4202EU
24	GE10144-008A	FRONT PANEL		DV4203UI,DV4206U,DV4206UN,DV4206UT, DV4206A
24	GE10144-009A	FRONT PANEL		DV4204UI,DV4205U,DV4205UN,DV4205UT, DV4205A
24	GE10144-007A	FRONT PANEL		DV4207EE
25	GE31985-011A	FINDER ASSY		DV4200J
25	GE31985-012A	FINDER ASSY		DV4201E,DV4201EU
25	GE31985-013A	FINDER ASSY		DV4202E,DV4202EU
25	GE31985-014A	FINDER ASSY		DV4203UI
25	GE31985-015A	FINDER ASSY		DV4204UI
25	GE31985-016A	FINDER ASSY		DV4205U,DV4205UN,DV4205UT,DV4205A
25	GE31985-017A	FINDER ASSY		DV4206U,DV4206UN,DV4206UT,DV4206A
25	GE31985-018A	FINDER ASSY		DV4207EE
26	GE31968-002A	POWER BUTTON		
27	GE31993-005A	SRC BUTTON		DV4200J,DV4201E,DV4201EU,DV4204UI,D V4205U,DV4205UN,DV4205UT,DV4205A
27	GE31993-003A	SRC BUTTON		DV4202E,DV4202EU,DV4203UI,DV4206U,D V4206UN,DV4206UT,DV4206A,DV4207EE
28	GE32000-002A	DISP BUTTON		DV4200J,DV4201E,DV4201EU,DV4204UI,D V4205U,DV4205UN,DV4205UT,DV4205A
28	GE32000-003A	DISP BUTTON		DV4202E,DV4202EU,DV4203UI,DV4206U,D V4206UN,DV4206UT,DV4206A,DV4207EE
29	GE20191-002A	PRESET BUTTON		DV4200J,DV4201E,DV4201EU,DV4204UI,D V4205U,DV4205UN,DV4205UT,DV4205A
29	GE20191-003A	PRESET BUTTON		DV4202E,DV4202EU,DV4203UI,DV4206U,D V4206UN,DV4206UT,DV4206A,DV4207EE
30	GE31991-002A	EJECT BUTTON		DV4200J,DV4201E,DV4201EU,DV4204UI,D V4205U,DV4205UN,DV4205UT,DV4205A
30	GE31991-006A	EJECT BUTTON		DV4202E,DV4202EU,DV4203UI,DV4206U,D V4206UN,DV4206UT,DV4206A,DV4207EE
31	GE31990-002A	DETACH BUTTON		DV4200J
31	GE31990-003A	DETACH BUTTON		DV4201E,DV4201EU,DV4204UI,DV4205U,D V4205UN,DV4205UT,DV4205A
31	GE31990-004A	DETACH BUTTON		DV4202E,DV4202EU,DV4203UI,DV4206U,D V4206UN,DV4206UT,DV4206A,DV4207EE
32	GE40202-017A	COMP.SPRING		
33	GE40315-002A	VOL KNOB ASSY		DV4200J,DV4201E,DV4201EU,DV4204UI,D V4205U,DV4205UN,DV4205UT,DV4205A
33	GE40315-001A	VOL KNOB ASSY		DV4202E,DV4202EU,DV4203UI,DV4206U,D V4206UN,DV4206UT,DV4206A,DV4207EE
34	GE31989-001A	NAVI BASE		
35	GE40127-002A	COMP.SPRING		
36	GE40316-008A	NAVI BTN ASSY		DV4200J,DV4201E,DV4201EU,DV4204UI,D V4205U,DV4205UN,DV4205UT,DV4205A
36	GE40316-007A	NAVI BTN ASSY		DV4202E,DV4202EU,DV4203UI,DV4206U,D V4206UN,DV4206UT,DV4206A,DV4207EE
37	GE10146-001A	REAR COVER		
38	VKZ4777-010	MINI SCREW	(x4)	
39	GE31995-001A	LCD CASE		
40	GE31998-001A	LENS CASE		

△	Symbol No.	Part No.	Part Name	Description	Local
	41	GE31999-001A	LCD LENS		
	42	GE40300-001A	LIGHTING SHEET		
	43	LV34058-002A	BOTTOM COVER		
	44	GE32174-001A	INSULATOR		
	45	GE32047-001A	NAME PLATE		DV4200J
	45	GE32067-001A	NAME PLATE		DV4201E,DV4201EU
	45	GE32070-001A	NAME PLATE		DV4202E,DV4202EU
	45	GE32058-001A	NAME PLATE		DV4203UI
	45	GE32061-001A	NAME PLATE		DV4204UI
	45	GE32050-001A	NAME PLATE		DV4205U,DV4205UN,DV4205UT,DV4205A
	45	GE32054-001A	NAME PLATE		DV4206U,DV4206UN,DV4206UT,DV4206A
	45	GE32073-001A	NAME PLATE		DV4207EE
	46	GE31683-017A	LABEL (DVD)		DV4200J
	46	GE31683-018A	LABEL (DVD)		DV4201E,DV4201EU,DV4202E,DV4202EU
	46	GE31683-022A	LABEL (DVD)		DV4203UI,DV4204UI
	46	GE31683-019A	LABEL (DVD)		DV4205U,DV4205UN,DV4205UT,DV4206U, DV4206UN,DV4206UT
	46	GE31683-020A	LABEL (DVD)		DV4205A,DV4206A
	46	GE31683-024A	LABEL (DVD)		DV4207EE
	47	QLD0386-001	LCD MODULE		
	48	QNZ0827-001	RUBBER CONN		
	49	QUQP05-4510BB-E	FFC WIRE	45pin 10cm	
	50	GE31994-001A	REAR BRACKET		
	51	GE40324-001A	FAN BRACKET		
	52	QYSDST2604ZA	TAP SCREW	M2.6 x 4mm(x2)	
	53	QYSDST2606ZA	TAP SCREW	M2.6 x 6mm	
	54	GE40235-004A	SCREW		
	55	QYSDSF2606ZA	TAP SCREW	M2.6 x 6mm	
	56	QYSDSF2606ZA	TAP SCREW	M2.6 x 6mm	
	57	LV43349-002A	POWER IC BKT		
	58	LV43373-002A	REGULATOR BKT		
	59	VMA4652-001SS	EARTH PLATE		
	60	GE30854-001A	LED HOLDER		
	61	QAR0353-001	COOLING FAN		
△	62	QMFZ039-150-T	FUSE	15A	
	63	LV41843-002A	LASER CAUTION		DV4201E,DV4201EU,DV4202E,DV4202EU, DV4203UI,DV4204UI,DV4205U,DV4205UN, DV4205UT,DV4205A,DV4206U,DV4206UN, DV4206UT,DV4206A,DV4207EE
	64	QYSDST2604ZA	TAP SCREW	M2.6 x 4mm	DV4201E,DV4201EU,DV4202E,DV4202EU
	65	QAM0820-001	STEERING CABLE		DV4201E,DV4201EU,DV4202E,DV4202EU
	66	GE31574-032A	UT LABEL		DV4205UT
	66	GE31574-033A	UT LABEL		DV4206UT

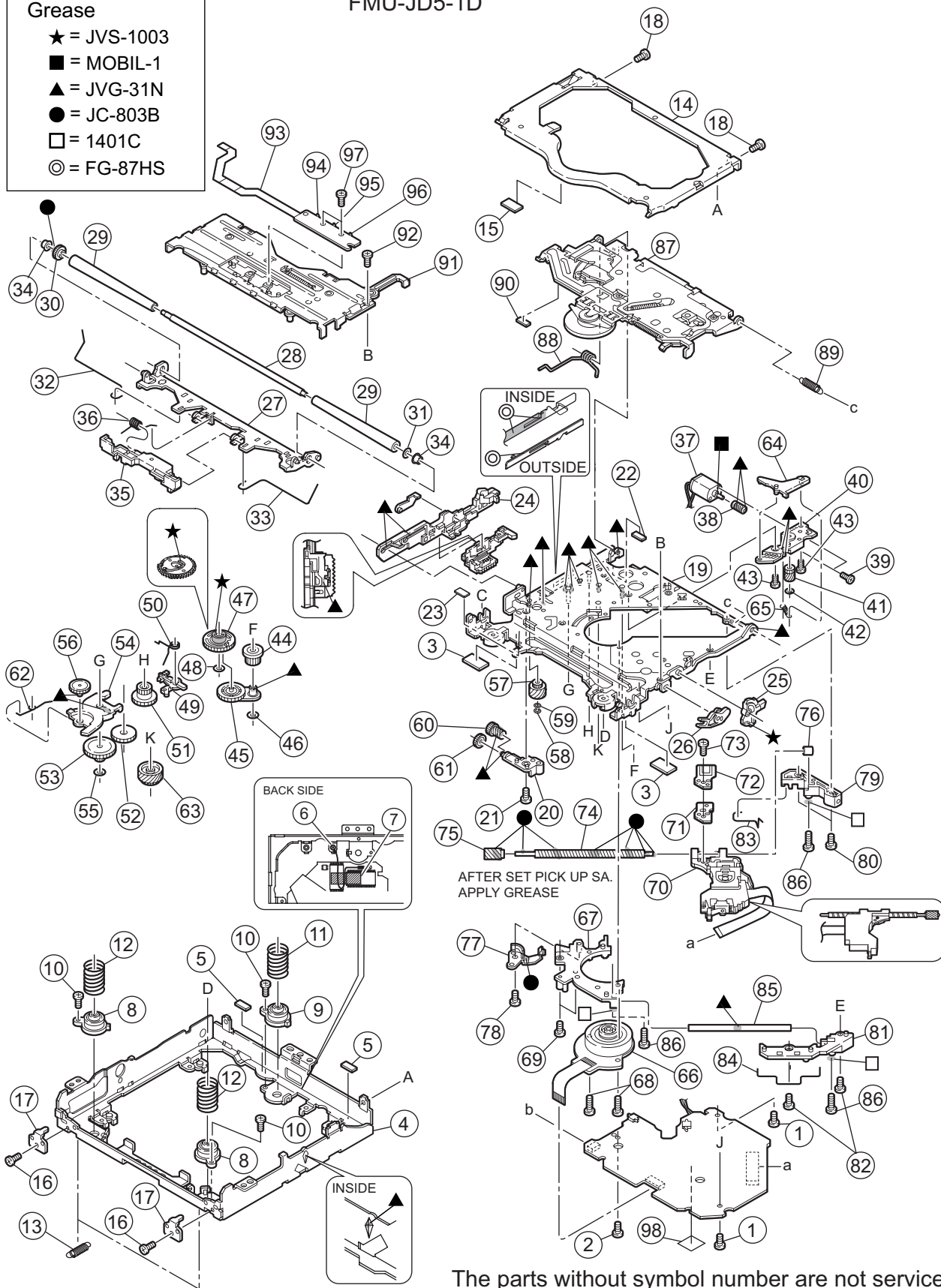
DVD mechanism assembly and parts list

Block No. M J M M

FMU-JD5-1D

Grease

- ★ = JVS-1003
- = MOBIL-1
- ▲ = JVG-31N
- = JC-803B
- = 1401C
- ◎ = FG-87HS



The parts without symbol number are not service.

DVD mechanism

Block No. [M][J][M][M]

△	Symbol No.	Part No.	Part Name	Description	Local
	1	VKZ4539-056	MINI SCREW	(x2)	
	2	QYSPSFT2040ZA	TAP SCREW	M2 x 4mm	
	3	LV43481-001A	COOLING RUBBER	(x2)	
	4	LV10674-001A	CHASSIS FRAME		
	5	LV30225-0J6A	SPACER	(x2)	
	6	VKZ4539-056	MINI SCREW		
	7	VYSA1R4-056	SPACER		
	8	LV35272-001A	DAMPER(F)	(x2)	
	9	LV35273-001A	DAMPER(R)		
	10	QYSDST2005ZA	SCREW	M2 x 5mm(x3)	
	11	LV43039-001A	DAMPER SP.(R)		
	12	LV43849-001A	DAMPER SP(F2)	(x2)	
	13	LV43041-001A	FLOATING SPRING	(x2)	
	14	LV10675-001A	TOP COVER		
	15	LV30225-0J5A	SPACER		
	16	VKZ4539-056	MINI SCREW	(x2)	
	17	LV33669-001A	STOPPER	(x2)	
	18	VKZ4539-056	MINI SCREW	(x2)	
	19	LV21297-004A	CHAS. BASE ASSY		
	20	LV33608-002A	GEAR HOLDER		
	21	VKZ4539-056	MINI SCREW		
	22	LV43561-002A	ABSORBER		
	23	LV30225-0J5A	SPACER		
	24	LV36831-001A	SLIDE CAM ASSY2		
	25	LV33610-002A	FLOATING ARM		
	26	LV33611-001A	CONNECT ARM		
	27	LV33678-003A	LOADING A. ASSY		
	28	LV43049-001A	LOADING SHAFT		
	29	LV43052-003A	ROLLER	(x2)	
	30	LV33612-001A	LOADING GEAR		
	31	QYWFM124013	WASHER	4mm/1.2mm x 0.13mm	
	32	LV43053-002A	ROD(L)		
	33	LV43054-003A	ROD(R)		
	34	LV43001-001A	COLLAR	(x2)	
	35	LV21285-003A	PROTECTOR		
	36	LV43055-001A	PROTECTOR SP.		
	37	QAR0373-001	MOTOR		
	38	LV43002-002A	WORM GEAR		
	39	QYSPSPT2025MA	SCREW	M2 x 2.5mm(x2)	
	40	LV33679-001A	MOTOR H. ASSY		
	41	LV33614-003A	WORM WHEEL		
	42	QYWDL1230250	SLIT WASHER	3mm/1.2mm x 0.25mm	
	43	VKZ4539-056	MINI SCREW	(x2)	
	44	LV33615-001A	GEAR 2		
	45	LV43057-004A	IDLER ARM ASSY		
	46	QYWDL1635252	SLIT WASHER	3.5mm/1.6mm x 0.25mm	
	47	LV21286-001A	CONTROL CAM		
	48	QYWDL1230196	SLIT WASHER	3mm/1.2mm x 0.19mm	
	49	LV33616-002A	LOAD.LOCK LEVER		
	50	LV43060-001A	CAM SPRING		
	51	LV43005-001A	GEAR 4		
	52	LV43006-002A	GEAR 5		
	53	LV33617-002A	GEAR 6		
	54	LV33618-002A	LOADING G. ARM		
	55	QYWDL1635252	SLIT WASHER	3.5mm/1.6mm x 0.25mm	
	56	LV43007-002A	GEAR 7		
	57	LV33619-002A	GEAR 8		
	58	LV42132-001A	E RING		
	59	QYWFM215013	WASHER	5mm/2.1mm x 0.13mm	
	60	LV33620-001A	GEAR 9		
	61	LV43008-001A	GEAR10		
	62	LV43061-001A	LOAD SPRING		
	63	LV33621-001A	FEED GEAR		
	64	LV33622-002A	TRIGGER ARM		
	65	LV43062-001A	FEED TRI.SPRING		
	66	QAR0240-002	SPINDLE MOTOR		
	67	LV21287-002A	SPINDLE BASE		
	68	LV44169-001A	SPECIAL SCREW	(x2)	
	69	VKZ4539-056	MINI SCREW	(x2)	
	70	QAL0742-001	DVD PICK UP		
	71	LV34583-002A	CD RACK PLATE		
	72	LV34579-001A	CD RACK SPRING		
	73	LV43903-002A	MINI TAP SCREW		
	74	LV43037-001A	LEAD SCREW		

Symbol No.	Part No.	Part Name	Description	Local
75	LV43010-001A	L.S.GEAR		
76	LV43063-001A	L.S.COLLAR		
77	LV43011-001A	THRUST SPRING		
78	QYSPSFT2040ZA	TAP SCREW	M2 x 4mm	
79	LV33624-001A	HOLDER(M)		
80	VKZ4539-056	MINI SCREW	(x2)	
81	LV22130-001A	HOLDER(S) 2		
82	VKZ4539-056	MINI SCREW	(x2)	
83	LV43064-001A	ROD(M)		
84	LV43065-001A	ROD(S)		
85	LV43066-001A	SUB SHAFT		
86	VKZ4730-002	SPECIAL SCREW	(x3)	
87	LV21298-007A	CLAMPER UNIT		
88	LV43070-001A	CLAMPER SPRING		
89	LV43355-001A	CLAMPER2 SPRING		
90	LV30225-0J6A	SPACER		
91	LV22185-001A	FRONT UNIT (C)		
92	VKZ4539-056	MINI SCREW		
93	LVB30012-002A	SW FPC		
94	NSW0187-001	SWITCH		
95	NSW0187-001	SWITCH		
96	NSW0187-001	SWITCH		
97	VKZ4539-055	MINI SCREW	(x2)	
98	LV44232-001A	GRAPHITE SHEET		

Electrical parts list

Main board(KD-DV4200J)

Block No. [0][1]

△ Symbol No.	Part No.	Part Name	Description	Local
IC161	NJW1192V-X	IC		
IC301	LA4743K	POWER IC		
IC401	SN74AHCT1G08V-X	IC		
IC402	TOTX177L	OPTICAL JACK		
IC411	MM1510XN-X	IC		
IC721	UPD784218AGC343	IC		
IC722	BR24L16F-W-X	IC		
IC723	S-80833CNNB-G-W	IC		
IC801	SN74AHC126NS-X	IC		
IC901	R2S25400DS-E	REGULATOR IC		
IC921	BA33BC0FP-X	IC		
IC922	BD9781HFP-W	DC CONVERTOR		
IC961	SN74LVC32APW-X	IC		
IC962	SN74HCT32APW-X	IC		
Q2	RT1N141C-X	DIGI TRANSISTOR		
Q303	RT1N141C-X	DIGI TRANSISTOR		
Q344	KTD1304-X	TRANSISTOR		
Q354	KTD1304-X	TRANSISTOR		
Q781	RT1P141C-X	DIGI TRANSISTOR		
Q783	RT1P141C-X	DIGI TRANSISTOR		
Q821	RT1N141C-X	DIGI TRANSISTOR		
Q822	RT1P141C-X	DIGI TRANSISTOR		
Q823	2SC4485/ST/-T	TRANSISTOR		
Q885	RT1N141C-X	DIGI TRANSISTOR		
Q903	2SA1530A/R/-X	TRANSISTOR		
Q904	RT1N141C-X	DIGI TRANSISTOR		
Q976	RT1N441C-X	TRANSISTOR		
Q977	2SA1530A/R/-X	TRANSISTOR		
D1	1SS355W-X	DIODE C.M		
D2	1SS355W-X	DIODE C.M		
D302	1SS355W-X	DIODE C.M		
D344	1SS355W-X	DIODE C.M		
D354	1SS355W-X	DIODE C.M		
D401	CRS03-W	SB DIODE		
D411	UDZW12B-X	Z DIODE		
D731	1SS355W-X	DIODE C.M		
D781	1SS355W-X	DIODE C.M		
D782	1SS355W-X	DIODE C.M		
D783	UDZW11B-X	Z DIODE		
D801	CRS03-W	SB DIODE		
D821	UDZW12B-X	Z DIODE		
D885	1SS355W-X	DIODE C.M		
D901	1N5401-F64	DIODE		
D903	1SS355W-X	DIODE C.M		
D906	UDZW5.1B-X	SI DIODE		
D921	1A3G-T1	SI DIODE		
D922	RB051L-40-X	SB DIODE		
D923	CRS03-W	SB DIODE		
D924	CRS03-W	SB DIODE		
D925	CRS03-W	SB DIODE		
D981	CRS03-W	SB DIODE		
D982	CRS03-W	SB DIODE		
C2	NDC31HJ-2R0X	C CAPACITOR	2pF 50V J	
C4	NCB31HK-103X	C CAPACITOR	0.01uF 50V K	
C5	QEKJ1CM-476Z	E CAPACITOR	47uF 16V M	
C6	NCB31EK-473X	C CAPACITOR	0.047uF 25V K	
C7	QEKJ1AM-227Z	E CAPACITOR	220uF 10V M	
C8	NCB31HK-104X	C CAPACITOR	0.1uF 50V K	
C9	NCB31HK-104X	C CAPACITOR	0.1uF 50V K	
C83	QEKJ1HM-475Z	E CAPACITOR	4.7uF 50V M	
C93	QEKJ1HM-475Z	E CAPACITOR	4.7uF 50V M	
C161	QTE1A57-107Z	E CAPACITOR	100uF 10V	
C162	NCB31HK-103X	C CAPACITOR	0.01uF 50V K	
C164	QTE1C57-106Z	E CAPACITOR	10uF 16V	
C169	NCB31HK-103X	C CAPACITOR	0.01uF 50V K	
C171	QEKJ1HM-225Z	E CAPACITOR	2.2uF 50V M	
C172	QTE1H55-225Z	E CAPACITOR	2.2uF 50V	
C173	QEKJ1CM-226Z	E CAPACITOR	22uF 16V M	
C174	NCS31HJ-471X	C CAPACITOR	470pF 50V J	

△ Symbol No.	Part No.	Part Name	Description	Local
C175	NCB31HK-104X	C CAPACITOR	0.1uF 50V K	
C176	NCB31HK-472X	C CAPACITOR	4700pF 50V K	
C177	QEKJ1HM-225Z	E CAPACITOR	2.2uF 50V M	
C178	NCB31HK-104X	C CAPACITOR	0.1uF 50V K	
C179	QEKJ1HM-475Z	E CAPACITOR	4.7uF 50V M	
C180	QTE1H57-475Z	E CAPACITOR	4.7uF 50V	
C181	QEKJ1HM-225Z	E CAPACITOR	2.2uF 50V M	
C182	QTE1H55-225Z	E CAPACITOR	2.2uF 50V	
C183	QEKJ1CM-226Z	E CAPACITOR	22uF 16V M	
C184	NCS31HJ-471X	C CAPACITOR	470pF 50V J	
C185	NCB31HK-104X	C CAPACITOR	0.1uF 50V K	
C186	NCB31HK-472X	C CAPACITOR	4700pF 50V K	
C187	QEKJ1HM-225Z	E CAPACITOR	2.2uF 50V M	
C188	NCB31HK-104X	C CAPACITOR	0.1uF 50V K	
C189	QEKJ1HM-475Z	E CAPACITOR	4.7uF 50V M	
C190	QTE1H57-475Z	E CAPACITOR	4.7uF 50V	
C302	NCB31HK-103X	C CAPACITOR	0.01uF 50V K	
C311	QEKJ1CM-226Z	E CAPACITOR	22uF 16V M	
C312	QTE1C57-476Z	E CAPACITOR	47uF 16V	
C313	NCB31HK-103X	C CAPACITOR	0.01uF 50V K	
C314	QEKJ1CM-226Z	E CAPACITOR	22uF 16V M	
C315	QEKJ1HM-475Z	E CAPACITOR	4.7uF 50V M	
C316	NCB31HK-103X	C CAPACITOR	0.01uF 50V K	
C328	QFV91HJ-474Z	MF CAPACITOR	0.47uF 50V J	
C329	NCS31HJ-101X	C CAPACITOR	100pF 50V J	
C330	NCB31HK-104X	C CAPACITOR	0.1uF 50V K	
C331	NCB31HK-223X	C CAPACITOR	0.022uF 50V K	
C338	QFV91HJ-474Z	MF CAPACITOR	0.47uF 50V J	
C339	NCS31HJ-101X	C CAPACITOR	100pF 50V J	
C340	NCB31HK-104X	C CAPACITOR	0.1uF 50V K	
C346	QEKJ1EM-475Z	E CAPACITOR	4.7uF 25V M	
C348	QFV91HJ-474Z	MF CAPACITOR	0.47uF 50V J	
C349	NCS31HJ-101X	C CAPACITOR	100pF 50V J	
C350	NCB31HK-104X	C CAPACITOR	0.1uF 50V K	
C356	QEKJ1EM-475Z	E CAPACITOR	4.7uF 25V M	
C358	QFV91HJ-474Z	MF CAPACITOR	0.47uF 50V J	
C359	NCS31HJ-101X	C CAPACITOR	100pF 50V J	
C360	NCB31HK-104X	C CAPACITOR	0.1uF 50V K	
C401	NCS31HJ-220X	C CAPACITOR	22pF 50V J	
C402	NCB31HK-103X	C CAPACITOR	0.01uF 50V K	
C403	NCB31HK-103X	C CAPACITOR	0.01uF 50V K	
C404	QEKJ0JM-107Z	E CAPACITOR	100uF 6.3V M	
C405	NCS31HJ-220X	C CAPACITOR	22pF 50V J	
C406	NCB31HK-103X	C CAPACITOR	0.01uF 50V K	
C411	Z DIODE	E CAPACITOR	220uF 10V M	
C412	NCB31EK-473X	C CAPACITOR	0.047uF 25V K	
C413	QCZ0202-155Z	C CAPACITOR	1.5uF 25V Z	
C414	QERF0JM-337Z	E CAPACITOR	330uF 6.3V M	
C415	NCS31HJ-101X	C CAPACITOR	100pF 50V J	
C416	NCB31HK-103X	C CAPACITOR	0.01uF 50V K	
C701	NCB31CK-104X	C CAPACITOR	0.1uF 16V K	
C702	NCB31CK-104X	C CAPACITOR	0.1uF 16V K	
C721	NCB31EK-473X	C CAPACITOR	0.047uF 25V K	
C722	QEKJ1AM-227Z	E CAPACITOR	220uF 10V M	
C723	NCS31HJ-471X	C CAPACITOR	470pF 50V J	
C724	NCS31HJ-471X	C CAPACITOR	470pF 50V J	
C725	QEKJ1AM-227Z	E CAPACITOR	220uF 10V M	
C726	NDC31HJ-8R0X	C CAPACITOR	8pF 50V J	
C727	NDC31HJ-270X	C CAPACITOR	27pF 50V J	
C728	NDC31HJ-270X	C CAPACITOR	27pF 50V J	
C729	NDC31HJ-220X	C CAPACITOR	22pF 50V J	
C730	QEKJ0JM-476Z	E CAPACITOR	47uF 6.3V M	
C731	NCB31CK-103X	C CAPACITOR	0.01uF 16V K	
C732	QEKJ1AM-227Z	E CAPACITOR	220uF 10V M	
C733	NCS31HJ-471X	C CAPACITOR	470pF 50V J	
C781	QEKJ0JM-476Z	E CAPACITOR	47uF 6.3V M	
C783	QEKJ1CM-107Z	E CAPACITOR	100uF 16V M	
C801	NCS31HJ-220X	C CAPACITOR	22pF 50V J	
C802	NCS31HJ-220X	C CAPACITOR	22pF 50V J	
C803	NCB31CK-473X	C CAPACITOR	0.047uF 16V K	
C804	NCS31HJ-220X	C CAPACITOR	22pF 50V J	
C821	QEKJ1CM-106Z	E CAPACITOR	10uF 16V M	
C822	QEKJ1CM-106Z	E CAPACITOR	10uF 16V M	
C823	NCB31HK-103X	C CAPACITOR	0.01uF 50V K	
C885	QEKJ1CM-106Z	E CAPACITOR	10uF 16V M	
C889	NCB31CK-104X	C CAPACITOR	0.1uF 16V K	

△ Symbol No.	Part No.	Part Name	Description	Local	△ Symbol No.	Part No.	Part Name	Description	Local
C901	QEZ0722-338	E CAPACITOR	3300uF		R360	NRSA63J-0R0X	MG RESISTOR	0Ω 1/16W J	
C902	QEKJ1HM-225Z	E CAPACITOR	2.2uF 50V M		R401	NRSA63J-471X	MG RESISTOR	470Ω 1/16W J	
C903	QEKJ1CM-106Z	E CAPACITOR	10uF 16V M		R402	NRSA63J-100X	MG RESISTOR	10Ω 1/16W J	
C904	QEKJ1CM-226Z	E CAPACITOR	22uF 16V M		R403	NRSA63J-471X	MG RESISTOR	470Ω 1/16W J	
C905	QEKJ1AM-107Z	E CAPACITOR	100uF 10V M		R404	NRSA63J-1R0X	MG RESISTOR	1Ω 1/16W J	
C906	QEKJ1CM-476Z	E CAPACITOR	47uF 16V M		R412	NRSA63D-682X	MG RESISTOR	6.8kΩ 1/16W D	
C907	NCB31HK-103X	C CAPACITOR	0.01uF 50V K		R413	NRSA63J-100X	MG RESISTOR	10Ω 1/16W J	
C909	QEKJ1CM-107Z	E CAPACITOR	100uF 16V M		R414	NRSA63J-102X	MG RESISTOR	1kΩ 1/16W J	
C911	NCB31HK-102X	C CAPACITOR	1000pF 50V K		R415	NRSA63J-750X	MG RESISTOR	75Ω 1/16W J	
C912	QEKJ1CM-226Z	E CAPACITOR	22uF 16V M		R416	NRSA63J-0R0X	MG RESISTOR	0Ω 1/16W J	
C913	NCB31EK-473X	C CAPACITOR	0.047uF 25V K		R417	NRSA63D-181X	MG RESISTOR	180Ω 1/16W D	
C921	QEKJ1AM-227Z	E CAPACITOR	220uF 10V M		R704	NRSA63J-271X	MG RESISTOR	270Ω 1/16W J	
C922	QEKJ1AM-107Z	E CAPACITOR	100uF 10V M		R705	NRSA63J-271X	MG RESISTOR	270Ω 1/16W J	
C925	QEKJ1AM-227Z	E CAPACITOR	220uF 10V M		R706	NRSA63J-103X	MG RESISTOR	10kΩ 1/16W J	
C926	QEXF1AM-476Z	E CAPACITOR	47uF 10V M		R707	NRSA63J-103X	MG RESISTOR	10kΩ 1/16W J	
C927	QEZ0595-477Z	E CAPACITOR	470uF		R713	NRSA63J-103X	MG RESISTOR	10kΩ 1/16W J	
C928	NCF31CZ-104X	C CAPACITOR	0.1uF 16V Z		R714	NRSA63J-104X	MG RESISTOR	100kΩ 1/16W J	
C929	NCB31HK-472X	C CAPACITOR	4700pF 50V K		R715	NRSA63J-271X	MG RESISTOR	270Ω 1/16W J	
C930	NCF31CZ-104X	C CAPACITOR	0.1uF 16V Z		R716	NRSA63J-271X	MG RESISTOR	270Ω 1/16W J	
C962	QEKJ1AM-227Z	E CAPACITOR	220uF 10V M		R717	NRSA63J-221X	MG RESISTOR	220Ω 1/16W J	
C963	QEKJ1AM-227Z	E CAPACITOR	220uF 10V M		R718	NRSA63J-103X	MG RESISTOR	10kΩ 1/16W J	
C966	NCB31CK-104X	C CAPACITOR	0.1uF 16V K		R719	NRSA63J-102X	MG RESISTOR	1kΩ 1/16W J	
C967	NCB31CK-104X	C CAPACITOR	0.1uF 16V K		R720	NRSA63J-102X	MG RESISTOR	1kΩ 1/16W J	
C968	NCB31EK-473X	C CAPACITOR	0.047uF 25V K		R721	NRSA63J-222X	MG RESISTOR	2.2kΩ 1/16W J	
C969	NCB31EK-473X	C CAPACITOR	0.047uF 25V K		R722	NRSA63J-222X	MG RESISTOR	2.2kΩ 1/16W J	
C981	NCB31CK-104X	C CAPACITOR	0.1uF 16V K		R725	NRSA63J-473X	MG RESISTOR	47kΩ 1/16W J	
C999	NCS31HJ-101X	C CAPACITOR	100pF 50V J		R726	NRSA63J-103X	MG RESISTOR	10kΩ 1/16W J	
					R727	NRSA63J-562X	MG RESISTOR	5.6kΩ 1/16W J	
R1	NRSA63J-0R0X	MG RESISTOR	0Ω 1/16W J		R728	NRSA63J-472X	MG RESISTOR	4.7kΩ 1/16W J	
R2	NRSA63J-122X	MG RESISTOR	1.2kΩ 1/16W J		R729	NRSA63J-0R0X	MG RESISTOR	0Ω 1/16W J	
R3	NRSA63J-122X	MG RESISTOR	1.2kΩ 1/16W J		R733	NRSA63J-103X	MG RESISTOR	10kΩ 1/16W J	
R4	NRSA63J-102X	MG RESISTOR	1kΩ 1/16W J		R735	NRSA63J-0R0X	MG RESISTOR	0Ω 1/16W J	
R5	NRSA63J-0R0X	MG RESISTOR	0Ω 1/16W J		R736	NRSA63J-222X	MG RESISTOR	2.2kΩ 1/16W J	
R6	NRSA63J-0R0X	MG RESISTOR	0Ω 1/16W J		R737	NRSA63J-222X	MG RESISTOR	2.2kΩ 1/16W J	
R7	NRSA63J-473X	MG RESISTOR	47kΩ 1/16W J		R738	NRSA63J-472X	MG RESISTOR	4.7kΩ 1/16W J	
R8	NRSA63J-101X	MG RESISTOR	100Ω 1/16W J		R739	NRSA63J-472X	MG RESISTOR	4.7kΩ 1/16W J	
R9	NRSA63J-473X	MG RESISTOR	47kΩ 1/16W J		R743	NRSA63J-473X	MG RESISTOR	47kΩ 1/16W J	
R10	NRSA63J-472X	MG RESISTOR	4.7kΩ 1/16W J		R744	NRSA63J-821X	MG RESISTOR	820Ω 1/16W J	
R11	NRSA63J-472X	MG RESISTOR	4.7kΩ 1/16W J		R745	NRSA63J-106X	MG RESISTOR	10MΩ 1/16W J	
R12	NRS181J-4R7X	MG RESISTOR	4.7Ω 1/8W J		R746	NRSA63J-473X	MG RESISTOR	47kΩ 1/16W J	
R13	NRS181J-6R8X	MG RESISTOR	6.8Ω 1/8W J		R749	NRSA63J-473X	MG RESISTOR	47kΩ 1/16W J	
R14	NRSA63J-123X	MG RESISTOR	12kΩ 1/16W J		R750	NRSA63J-473X	MG RESISTOR	47kΩ 1/16W J	
R15	NRSA63J-202X	MG RESISTOR	2kΩ 1/16W J		R751	NRSA63J-333X	MG RESISTOR	33kΩ 1/16W J	
R19	NRSA63J-473X	MG RESISTOR	47kΩ 1/16W J		R755	NRSA63J-103X	MG RESISTOR	10kΩ 1/16W J	
R81	NRSA63J-223X	MG RESISTOR	22kΩ 1/16W J		R756	NRSA63J-222X	MG RESISTOR	2.2kΩ 1/16W J	
R82	NRSA63J-472X	MG RESISTOR	4.7kΩ 1/16W J		R757	NRSA63J-473X	MG RESISTOR	47kΩ 1/16W J	
R91	NRSA63J-223X	MG RESISTOR	22kΩ 1/16W J		R758	NRSA63J-224X	MG RESISTOR	220kΩ 1/16W J	
R92	NRSA63J-472X	MG RESISTOR	4.7kΩ 1/16W J		R759	NRSA63J-224X	MG RESISTOR	220kΩ 1/16W J	
R171	NRSA63J-393X	MG RESISTOR	39kΩ 1/16W J		R760	NRSA63J-472X	MG RESISTOR	4.7kΩ 1/16W J	
R172	NRSA63J-472X	MG RESISTOR	4.7kΩ 1/16W J		R761	NRSA63J-472X	MG RESISTOR	4.7kΩ 1/16W J	
R173	NRSA63J-222X	MG RESISTOR	2.2kΩ 1/16W J		R762	NRSA63J-472X	MG RESISTOR	4.7kΩ 1/16W J	
R181	NRSA63J-393X	MG RESISTOR	39kΩ 1/16W J		R763	NRSA63J-103X	MG RESISTOR	10kΩ 1/16W J	
R182	NRSA63J-472X	MG RESISTOR	4.7kΩ 1/16W J		R765	NRSA63J-103X	MG RESISTOR	10kΩ 1/16W J	
R183	NRSA63J-222X	MG RESISTOR	2.2kΩ 1/16W J		R766	NRSA63J-473X	MG RESISTOR	47kΩ 1/16W J	
R302	NRSA63J-0R0X	MG RESISTOR	0Ω 1/16W J		R767	NRSA63J-103X	MG RESISTOR	10kΩ 1/16W J	
R304	NRSA63J-473X	MG RESISTOR	47kΩ 1/16W J		R768	NRSA63J-0R0X	MG RESISTOR	0Ω 1/16W J	
R305	NRSA63J-102X	MG RESISTOR	1kΩ 1/16W J		R771	NRSA63J-392X	MG RESISTOR	3.9kΩ 1/16W J	
R306	NRS181J-0R0X	MG RESISTOR	0Ω 1/8W J		R774	NRSA63J-472X	MG RESISTOR	4.7kΩ 1/16W J	
R307	NRSA63J-472X	MG RESISTOR	4.7kΩ 1/16W J		R775	NRSA63J-472X	MG RESISTOR	4.7kΩ 1/16W J	
R327	NRSA63J-0R0X	MG RESISTOR	0Ω 1/16W J		R776	NRSA63J-472X	MG RESISTOR	4.7kΩ 1/16W J	
R329	NRSA63J-273X	MG RESISTOR	27kΩ 1/16W J		R777	NRSA63J-102X	MG RESISTOR	1kΩ 1/16W J	
R330	NRSA63J-0R0X	MG RESISTOR	0Ω 1/16W J		R779	NRSA63J-222X	MG RESISTOR	2.2kΩ 1/16W J	
R337	NRSA63J-0R0X	MG RESISTOR	0Ω 1/16W J		R781	NRSA63J-471X	MG RESISTOR	470Ω 1/16W J	
R339	NRSA63J-273X	MG RESISTOR	27kΩ 1/16W J		R801	NRSA63J-101X	MG RESISTOR	100Ω 1/16W J	
R340	NRSA63J-0R0X	MG RESISTOR	0Ω 1/16W J		R802	NRSA63J-473X	MG RESISTOR	47kΩ 1/16W J	
R343	NRSA63J-473X	MG RESISTOR	47kΩ 1/16W J		R803	NRSA63J-223X	MG RESISTOR	22kΩ 1/16W J	
R344	NRSA63J-222X	MG RESISTOR	2.2kΩ 1/16W J		R804	NRSA63J-104X	MG RESISTOR	100kΩ 1/16W J	
R345	NRSA63J-102X	MG RESISTOR	1kΩ 1/16W J		R805	NRSA63J-103X	MG RESISTOR	10kΩ 1/16W J	
R346	NRSA63J-101X	MG RESISTOR	100Ω 1/16W J		R806	NRSA63J-104X	MG RESISTOR	100kΩ 1/16W J	
R347	NRSA63J-0R0X	MG RESISTOR	0Ω 1/16W J		R807	NRSA63J-331X	MG RESISTOR	330Ω 1/16W J	
R349	NRSA63J-273X	MG RESISTOR	27kΩ 1/16W J		R808	NRSA63J-223X	MG RESISTOR	22kΩ 1/16W J	
R350	NRSA63J-0R0X	MG RESISTOR	0Ω 1/16W J		R809	NRSA63J-101X	MG RESISTOR	100Ω 1/16W J	
R353	NRSA63J-473X	MG RESISTOR	47kΩ 1/16W J		R810	NRSA63J-473X	MG RESISTOR	47kΩ 1/16W J	
R354	NRSA63J-222X	MG RESISTOR	2.2kΩ 1/16W J		R821	NRSA63J-100X	MG RESISTOR	10Ω 1/16W J	
R355	NRSA63J-102X	MG RESISTOR	1kΩ 1/16W J		R822	NRSA63J-471X	MG RESISTOR	470Ω 1/16W J	
R356	NRSA63J-101X	MG RESISTOR	100Ω 1/16W J		R823	NRSA63J-223X	MG RESISTOR	22kΩ 1/16W J	
R357	NRSA63J-0R0X	MG RESISTOR	0Ω 1/16W J		R843	NRSA63J-473X	MG RESISTOR	47kΩ 1/16W J	
R359	NRSA63J-273X	MG RESISTOR	27kΩ 1/16W J		R844	NRSA63J-473X	MG RESISTOR	47kΩ 1/16W J	

△ Symbol No.	Part No.	Part Name	Description	Local	△ Symbol No.	Part No.	Part Name	Description	Local
R846	NRSA63J-392X	MG RESISTOR	3.9kΩ 1/16W J		D637	SML-310VT/JK/-X	LED		
R847	NRSA63J-392X	MG RESISTOR	3.9kΩ 1/16W J		D638	SML-310VT/JK/-X	LED		
R848	NRSA63J-221X	MG RESISTOR	220Ω 1/16W J		D639	SML-310VT/JK/-X	LED		
R885	NRSA63J-473X	MG RESISTOR	47kΩ 1/16W J		D640	SML-310VT/JK/-X	LED		
R886	NRSA63J-472X	MG RESISTOR	4.7kΩ 1/16W J		D641	SML-310VT/JK/-X	LED		
R887	NRSA63J-103X	MG RESISTOR	10kΩ 1/16W J		D642	SML-310VT/JK/-X	LED		
R901	QRE142J-102X	C RESISTOR	1kΩ 1/4W J		D643	SML-310VT/JK/-X	LED		
R902	NRSA63J-912X	MG RESISTOR	9.1kΩ 1/16W J		D644	SML-310VT/JK/-X	LED		
R903	NRSA63J-472X	MG RESISTOR	4.7kΩ 1/16W J		D645	SML-310VT/JK/-X	LED		
R909	NRSA63J-473X	MG RESISTOR	47kΩ 1/16W J		D646	SML-310VT/JK/-X	LED		
R910	NRSA63J-222X	MG RESISTOR	2.2kΩ 1/16W J		D647	SML-310VT/JK/-X	LED		
R914	NRS181J-221X	MG RESISTOR	220Ω 1/8W J		D648	SML-310VT/JK/-X	LED		
R923	NRSA63J-393X	MG RESISTOR	39kΩ 1/16W J		D649	SML-310VT/JK/-X	LED		
R924	NRSA63J-103X	MG RESISTOR	10kΩ 1/16W J		D650	SML-310VT/JK/-X	LED		
R925	NRSA63J-154X	MG RESISTOR	150kΩ 1/16W J		D651	SML-310VT/JK/-X	LED		
R926	NRSA63J-394X	MG RESISTOR	390kΩ 1/16W J		D652	SML-310VT/JK/-X	LED		
R927	NRSA63J-473X	MG RESISTOR	47kΩ 1/16W J		D653	NSPW310BS/B2RST	LED		
R962	NRSA63J-101X	MG RESISTOR	100Ω 1/16W J		D654	NSPW310BS/B2RST	LED		
R973	NRSA63J-103X	MG RESISTOR	10kΩ 1/16W J		D661	1SS355W-X	DIODE C.M		
R974	NRSA63J-103X	MG RESISTOR	10kΩ 1/16W J		D662	UDZW5.1B-X	SI DIODE		
R975	NRSA63J-103X	MG RESISTOR	10kΩ 1/16W J		D681	UDZW6.2B-X	SI DIODE		
R976	NRSA63J-563X	MG RESISTOR	56kΩ 1/16W J						
R977	NRSA63J-183X	MG RESISTOR	18kΩ 1/16W J		C661	NBE20JM-106X	TA E CAPACITOR	10uF 6.3V M	
R981	NRS181J-222X	MG RESISTOR	2.2kΩ 1/8W J		C662	NCS31HJ-681X	C CAPACITOR	680pF 50V J	
R982	NRS181J-222X	MG RESISTOR	2.2kΩ 1/8W J		C663	NCB31HK-223X	C CAPACITOR	0.022uF 50V K	
RA723	NRZ0065-103X	NET RESISTOR	10kΩ 1/16W J		C664	NCB31HK-104X	C CAPACITOR	0.1uF 50V K	
RA962	NRZ0065-222X	NET RESISTOR	2.2kΩ		C681	NBE20JM-475X	TA E CAPACITOR	4.7uF 6.3V M	
					C682	NCB31HK-123X	C CAPACITOR	0.012uF 50V K	
L1	NQL334J-4R7X	COIL	4.7uH J		C686	NCB31HK-223X	C CAPACITOR	0.022uF 50V K	
L2	NQL093K-R22X	COIL	0.22uH K		C687	NCB31HK-223X	C CAPACITOR	0.022uF 50V K	
L401	NQR0007-002X	FERRITE BEADS							
L411	NQL114K-470X	INDUCTOR	47uH K		R601	NRSA63J-821X	MG RESISTOR	820Ω 1/16W J	
L721	NQL38DK-330X	COIL	33uH K		R602	NRSA63J-821X	MG RESISTOR	820Ω 1/16W J	
L722	QQL244J-470Z	COIL	47uH J		R603	NRSA63J-122X	MG RESISTOR	1.2kΩ 1/16W J	
L901	QQR1378-002	COIL			R604	NRSA63J-182X	MG RESISTOR	1.8kΩ 1/16W J	
L902	NQL56CK-220X	COIL	22uH K		R605	NRSA63J-272X	MG RESISTOR	2.7kΩ 1/16W J	
L924	NQL56CK-220X	COIL	22uH K		R606	NRSA63J-821X	MG RESISTOR	820Ω 1/16W J	
L925	NQL71EM-330X	COIL	33uH M		R607	NRSA63J-821X	MG RESISTOR	820Ω 1/16W J	
L927	NQLB7GM-100X	COIL	10uH M		R608	NRSA63J-122X	MG RESISTOR	1.2kΩ 1/16W J	
					R609	NRSA63J-182X	MG RESISTOR	1.8kΩ 1/16W J	
CN701	QGZ1601J1-15	CONNECTOR	(1-15)		R610	NRSA63J-272X	MG RESISTOR	2.7kΩ 1/16W J	
CN821	QGA2001C1-02	CONNECTOR	W-B (1-2)		R611	NRSA63J-821X	MG RESISTOR	820Ω 1/16W J	
CN901	QNZ0607-001	CAR CONNECTOR			R612	NRSA63J-821X	MG RESISTOR	820Ω 1/16W J	
CN961	QGB2027M3-30S	CONNECTOR	B-B (1-30)		R613	NRSA63J-122X	MG RESISTOR	1.2kΩ 1/16W J	
CN962	QGF0534F3-45X	CONNECTOR	FFC/FPC (1-45)		R614	NRSA63J-182X	MG RESISTOR	1.8kΩ 1/16W J	
CN963	QGB2027L9-30X	CONNECTOR	B-B (1-30)		R615	NRSA63J-272X	MG RESISTOR	2.7kΩ 1/16W J	
J1	QNB0190-001	CAR ANT JACK			R625	NRSA63J-471X	MG RESISTOR	470Ω 1/16W J	
J331	QNN0770-001	3P PIN JACK			R627	NRSA63J-471X	MG RESISTOR	470Ω 1/16W J	
J801	QNZ0095-001	CONNECTOR			R630	NRSA63J-821X	MG RESISTOR	820Ω 1/16W J	
K401	NQR0007-002X	FERRITE BEADS			R631	NRSA63J-471X	MG RESISTOR	470Ω 1/16W J	
K402	NQR0007-002X	FERRITE BEADS			R633	NRSA63J-331X	MG RESISTOR	330Ω 1/16W J	
K411	NQR0201-004X	FERRITE BEADS			R635	NRSA63J-471X	MG RESISTOR	470Ω 1/16W J	
S723	QSW1049-001Z	TACT SW			R637	NRSA63J-331X	MG RESISTOR	330Ω 1/16W J	
TH721	NAD0028-103X	N THERMISTOR	10kΩ		R639	NRSA63J-331X	MG RESISTOR	330Ω 1/16W J	
TU1	QAU0443-002	TUNER PACK			R641	NRSA63J-471X	MG RESISTOR	470Ω 1/16W J	
X721	QAX0617-001Z	CRYSTAL	12.500MHz		R643	NRSA63J-471X	MG RESISTOR	470Ω 1/16W J	
X722	QAX0401-001	CRYSTAL	32.768KHz		R645	NRSA63J-471X	MG RESISTOR	470Ω 1/16W J	
					R649	NRS181J-391X	MG RESISTOR	390Ω 1/8W J	
					R650	NRS181J-391X	MG RESISTOR	390Ω 1/8W J	
					R661	NRSA63J-222X	MG RESISTOR	2.2kΩ 1/16W J	
					R662	NRSA63J-222X	MG RESISTOR	2.2kΩ 1/16W J	
					R663	NRSA63J-184X	MG RESISTOR	180kΩ 1/16W J	
					R664	NRSA63J-103X	MG RESISTOR	10kΩ 1/16W J	
					R665	NRSA63J-513X	MG RESISTOR	51kΩ 1/16W J	
					R666	NRSA63J-103X	MG RESISTOR	10kΩ 1/16W J	
					R667	NRSA63J-103X	MG RESISTOR	10kΩ 1/16W J	
					R668	NRSA63J-103X	MG RESISTOR	10kΩ 1/16W J	
					R670	NRS181J-471X	MG RESISTOR	470Ω 1/8W J	
					R671	NRSA63J-473X	MG RESISTOR	47kΩ 1/16W J	
					R672	NRS181J-102X	MG RESISTOR	1kΩ 1/8W J	
					R681	NRSA63J-471X	MG RESISTOR	470Ω 1/16W J	
					R682	NRSA63J-103X	MG RESISTOR	10kΩ 1/16W J	
					R686	NRSA63J-101X	MG RESISTOR	100Ω 1/16W J	
					R687	NRSA63J-473X	MG RESISTOR	47kΩ 1/16W J	
					R688	NRSA63J-473X	MG RESISTOR	47kΩ 1/16W J	
					CJ601	QGZ1601K1-15S	CONNECTOR	(1-15)	
					JS686	QSW0976-001	ROTARY ENCODER		

Switch board(KD-DV4200J)

Block No. [0][2]

△ Symbol No.	Part No.	Part Name	Description	Local
IC661	PT6523LQ-L	LCD DRIVER		
IC681	RPM7338-V4	RM.RECEIVER		
Q670	2SA1365/F/-X	TRANSISTOR		
Q671	RT1N141C-X	DIGI TRANSISTOR		
D630	SML-310LT/MN/-X	LED		
D631	SML310BA1T/HJ-X	LED		
D632	SML310BA1T/HJ-X	LED		
D633	SML310BA1T/HJ-X	LED		
D635	SML-310VT/JK/-X	LED		

Symbol No.	Part No.	Part Name	Description	Local
S601	NSW0124-001X	TACT SW		
S602	NSW0124-001X	TACT SW		
S603	NSW0124-001X	TACT SW		
S604	NSW0124-001X	TACT SW		
S605	NSW0124-001X	TACT SW		
S606	NSW0124-001X	TACT SW		
S607	NSW0124-001X	TACT SW		
S608	NSW0124-001X	TACT SW		
S609	NSW0124-001X	TACT SW		
S610	NSW0124-001X	TACT SW		
S611	NSW0124-001X	TACT SW		
S612	NSW0124-001X	TACT SW		
S613	NSW0124-001X	TACT SW		
S614	NSW0124-001X	TACT SW		
S615	NSW0124-001X	TACT SW		
S616	NSW0124-001X	TACT SW		
S617	NSW0124-001X	TACT SW		
S618	NSW0124-001X	TACT SW		

Symbol No.	Part No.	Part Name	Description	Local
D885	1SS355W-X	DIODE C.M		
D891	MC2836-X	DIODE		
D901	1N5401-F64	DIODE		
D903	1SS355W-X	DIODE C.M		
D906	UDZW5.1B-X	SI DIODE		
D921	1A3G-T1	SI DIODE		
D922	RB051L-40-X	SB DIODE		
D923	CRS03-W	SB DIODE		
D924	CRS03-W	SB DIODE		
D925	CRS03-W	SB DIODE		
D981	CRS03-W	SB DIODE		
D982	CRS03-W	SB DIODE		

Main board

(KD-DV4201E,DV4201EU,DV4202E,
DV4202EU)

Block No. [0][3]

Symbol No.	Part No.	Part Name	Description	Local
IC71	LC72725NM-X	IC		
IC161	NJW1192V-X	IC		
IC301	LA4743K	POWER IC		
IC401	SN74AHCT1G08V-X	IC		
IC402	TOTX177L	OPTICAL JACK		
IC411	MM1510XN-X	IC		
IC721	UPD784217AGC351	IC		
IC722	BR24L32F-W-X	IC		
IC723	S-80833CNNB-G-W	IC		
IC801	SN74AHC126NS-X	IC		
IC901	R2S25400DS-E	REGULATOR IC		
IC921	BA33BC0FP-X	IC		
IC922	BD9781HFP-W	DC CONVERTOR		
IC961	SN74LVC32APW-X	IC		
IC962	SN74HCT32APW-X	IC		
Q2	RT1N141C-X	DIGI TRANSISTOR		
Q303	RT1N141C-X	DIGI TRANSISTOR		
Q344	KTD1304-X	TRANSISTOR		
Q354	KTD1304-X	TRANSISTOR		
Q781	RT1P141C-X	DIGI TRANSISTOR		
Q783	RT1P141C-X	DIGI TRANSISTOR		
Q821	RT1N141C-X	DIGI TRANSISTOR		
Q822	RT1P141C-X	DIGI TRANSISTOR		
Q823	2SC4485/ST-T	TRANSISTOR		
Q885	RT1N141C-X	DIGI TRANSISTOR		
Q891	RT1N141C-X	DIGI TRANSISTOR		
Q903	2SA1530A/R/-X	TRANSISTOR		
Q904	RT1N141C-X	DIGI TRANSISTOR		
Q976	RT1N441C-X	TRANSISTOR		
Q977	2SA1530A/R/-X	TRANSISTOR		
D1	1SS355W-X	DIODE C.M		
D2	1SS355W-X	DIODE C.M		
D302	1SS355W-X	DIODE C.M		
D344	1SS355W-X	DIODE C.M		
D354	1SS355W-X	DIODE C.M		
D401	CRS03-W	SB DIODE		
D411	UDZW12B-X	Z DIODE		
D731	1SS355W-X	DIODE C.M		
D781	1SS355W-X	DIODE C.M		
D782	1SS355W-X	DIODE C.M		
D783	UDZW11B-X	Z DIODE		
D801	CRS03-W	SB DIODE		
D821	UDZW12B-X	Z DIODE		
D831	UDZW6.2B-X	DIODE		

Symbol No.	Part No.	Part Name	Description	Local
C2	NDC31HJ-2R0X	C CAPACITOR	2pF 50V J	
C4	NCB31HK-103X	C CAPACITOR	0.01uF 50V K	
C5	QEKJ1CM-476Z	E CAPACITOR	47uF 16V M	
C6	NCB31EK-473X	C CAPACITOR	0.047uF 25V K	
C7	QEKJ1AM-227Z	E CAPACITOR	220uF 10V M	
C8	NCB31HK-104X	C CAPACITOR	0.1uF 50V K	
C9	NCB31HK-104X	C CAPACITOR	0.1uF 50V K	
C71	QEKJ1CM-106Z	E CAPACITOR	10uF 16V M	
C72	NCB31HK-331X	C CAPACITOR	330pF 50V K	
C73	NCB31HK-103X	C CAPACITOR	0.01uF 50V K	
C74	NCS31HJ-561X	C CAPACITOR	560pF 50V J	
C75	QEKJ0JM-476Z	E CAPACITOR	47uF 6.3V M	
C76	NCB31HK-103X	C CAPACITOR	0.01uF 50V K	
C77	NCS31HJ-470X	C CAPACITOR	47pF 50V J	
C78	NCS31HJ-820X	C CAPACITOR	82pF 50V J	
C83	QEKJ1HM-475Z	E CAPACITOR	4.7uF 50V M	
C93	QEKJ1HM-475Z	E CAPACITOR	4.7uF 50V M	
C161	QTE1A57-107Z	E CAPACITOR	100uF 10V	
C162	NCB31HK-103X	C CAPACITOR	0.01uF 50V K	
C164	QTE1C57-106Z	E CAPACITOR	10uF 16V	
C169	NCB31HK-103X	C CAPACITOR	0.01uF 50V K	
C171	QEKJ1HM-225Z	E CAPACITOR	2.2uF 50V M	
C172	QTE1H55-225Z	E CAPACITOR	2.2uF 50V	
C173	QEKJ1CM-226Z	E CAPACITOR	22uF 16V M	
C174	NCS31HJ-471X	C CAPACITOR	470pF 50V J	
C175	NCB31HK-104X	C CAPACITOR	0.1uF 50V K	
C176	NCB31HK-472X	C CAPACITOR	4700pF 50V K	
C177	QEKJ1HM-225Z	E CAPACITOR	2.2uF 50V M	
C178	NCB31HK-104X	C CAPACITOR	0.1uF 50V K	
C179	QEKJ1HM-475Z	E CAPACITOR	4.7uF 50V M	
C180	QTE1H57-475Z	E CAPACITOR	4.7uF 50V	
C181	QEKJ1HM-225Z	E CAPACITOR	2.2uF 50V M	
C182	QTE1H55-225Z	E CAPACITOR	2.2uF 50V	
C183	QEKJ1CM-226Z	E CAPACITOR	22uF 16V M	
C184	NCS31HJ-471X	C CAPACITOR	470pF 50V J	
C185	NCB31HK-104X	C CAPACITOR	0.1uF 50V K	
C186	NCB31HK-472X	C CAPACITOR	4700pF 50V K	
C187	QEKJ1HM-225Z	E CAPACITOR	2.2uF 50V M	
C188	NCB31HK-104X	C CAPACITOR	0.1uF 50V K	
C189	QEKJ1HM-475Z	E CAPACITOR	4.7uF 50V M	
C190	QTE1H57-475Z	E CAPACITOR	4.7uF 50V	
C302	NCB31HK-103X	C CAPACITOR	0.01uF 50V K	
C311	QEKJ1CM-226Z	E CAPACITOR	22uF 16V M	
C312	QTE1C57-476Z	E CAPACITOR	47uF 16V	
C313	NCB31HK-103X	C CAPACITOR	0.01uF 50V K	
C314	QEKJ1CM-226Z	E CAPACITOR	22uF 16V M	
C315	QEKJ1HM-475Z	E CAPACITOR	4.7uF 50V M	
C316	NCB31HK-103X	C CAPACITOR	0.01uF 50V K	
C328	QFV91HJ-474Z	MF CAPACITOR	0.47uF 50V J	
C329	NCS31HJ-101X	C CAPACITOR	100pF 50V J	
C330	NCB31HK-104X	C CAPACITOR	0.1uF 50V K	
C331	NCB31HK-223X	C CAPACITOR	0.022uF 50V K	
C338	QFV91HJ-474Z	MF CAPACITOR	0.47uF 50V J	
C339	NCS31HJ-101X	C CAPACITOR	100pF 50V J	
C340	NCB31HK-104X	C CAPACITOR	0.1uF 50V K	
C346	QEKJ1EM-475Z	E CAPACITOR	4.7uF 25V M	
C348	QFV91HJ-474Z	MF CAPACITOR	0.47uF 50V J	
C349	NCS31HJ-101X	C CAPACITOR	100pF 50V J	
C350	NCB31HK-104X	C CAPACITOR	0.1uF 50V K	
C356	QEKJ1EM-475Z	E CAPACITOR	4.7uF 25V M	
C358	QFV91HJ-474Z	MF CAPACITOR	0.47uF 50V J	
C359	NCS31HJ-101X	C CAPACITOR	100pF 50V J	
C360	NCB31HK-104X	C CAPACITOR	0.1uF 50V K	
C401	NCS31HJ-220X	C CAPACITOR	22pF 50V J	
C402	NCB31HK-103X	C CAPACITOR	0.01uF 50V K	

△ Symbol No.	Part No.	Part Name	Description	Local	△ Symbol No.	Part No.	Part Name	Description	Local
C403	NCB31HK-103X	C CAPACITOR	0.01uF 50V K		R13	NRSA63J-0R0X	MG RESISTOR	6.8Ω 1/8W J	
C404	QEKJ0JM-107Z	E CAPACITOR	100uF 6.3V M		R14	NRSA63J-123X	MG RESISTOR	12kΩ 1/16W J	
C405	NCS31HJ-220X	C CAPACITOR	22pF 50V J		R15	NRSA63J-202X	MG RESISTOR	2kΩ 1/16W J	
C406	NCB31HK-103X	C CAPACITOR	0.01uF 50V K		R19	NRSA63J-473X	MG RESISTOR	47kΩ 1/16W J	
C411	QEKJ1AM-227Z	E CAPACITOR	220uF 10V M		R71	NRSA63J-101X	MG RESISTOR	100Ω 1/16W J	
C412	NCB31EK-473X	C CAPACITOR	0.047uF 25V K		R72	NRSA63J-202X	MG RESISTOR	2kΩ 1/16W J	
C413	QCZ0202-155Z	C CAPACITOR	1.5uF 25V Z		R73	NRSA63J-103X	MG RESISTOR	10kΩ 1/16W J	
C414	QERF0JM-337Z	E CAPACITOR	330uF 6.3V M		R81	NRSA63J-223X	MG RESISTOR	22kΩ 1/16W J	
C415	NCS31HJ-101X	C CAPACITOR	100pF 50V J		R82	NRSA63J-103X	MG RESISTOR	10kΩ 1/16W J	
C416	NCB31HK-103X	C CAPACITOR	0.01uF 50V K		R91	NRSA63J-223X	MG RESISTOR	22kΩ 1/16W J	
C701	NCB31CK-104X	C CAPACITOR	0.1uF 16V K		R92	NRSA63J-103X	MG RESISTOR	10kΩ 1/16W J	
C702	NCB31CK-104X	C CAPACITOR	0.1uF 16V K		R171	NRSA63J-393X	MG RESISTOR	39kΩ 1/16W J	
C721	NCB31EK-473X	C CAPACITOR	0.047uF 25V K		R172	NRSA63J-472X	MG RESISTOR	4.7kΩ 1/16W J	
C722	QEKJ1AM-227Z	E CAPACITOR	220uF 10V M		R173	NRSA63J-222X	MG RESISTOR	2.2kΩ 1/16W J	
C723	NCS31HJ-471X	C CAPACITOR	470pF 50V J		R181	NRSA63J-393X	MG RESISTOR	39kΩ 1/16W J	
C724	NCS31HJ-471X	C CAPACITOR	470pF 50V J		R182	NRSA63J-472X	MG RESISTOR	4.7kΩ 1/16W J	
C725	QEKJ1AM-227Z	E CAPACITOR	220uF 10V M		R183	NRSA63J-222X	MG RESISTOR	2.2kΩ 1/16W J	
C726	NDC31HJ-8R0X	C CAPACITOR	8pF 50V J		R302	NRSA63J-0R0X	MG RESISTOR	0Ω 1/16W J	
C727	NDC31HJ-270X	C CAPACITOR	27pF 50V J		R304	NRSA63J-473X	MG RESISTOR	47kΩ 1/16W J	
C728	NDC31HJ-270X	C CAPACITOR	27pF 50V J		R305	NRSA63J-102X	MG RESISTOR	1kΩ 1/16W J	
C729	NDC31HJ-220X	C CAPACITOR	22pF 50V J		R306	NRS181J-0R0X	MG RESISTOR	0Ω 1/8W J	
C730	QEKJ0JM-476Z	E CAPACITOR	47uF 6.3V M		R307	NRSA63J-472X	MG RESISTOR	4.7kΩ 1/16W J	
C731	NCB31HK-103X	C CAPACITOR	0.01uF 50V K		R327	NRSA63J-0R0X	MG RESISTOR	0Ω 1/16W J	
C732	QEKJ1AM-227Z	E CAPACITOR	220uF 10V M		R329	NRSA63J-273X	MG RESISTOR	27kΩ 1/16W J	
C733	NCS31HJ-471X	C CAPACITOR	470pF 50V J		R330	NRSA63J-0R0X	MG RESISTOR	0Ω 1/16W J	
C781	QEKJ0JM-476Z	E CAPACITOR	47uF 6.3V M		R337	NRSA63J-0R0X	MG RESISTOR	0Ω 1/16W J	
C783	QEKJ1CM-107Z	E CAPACITOR	100uF 16V M		R339	NRSA63J-273X	MG RESISTOR	27kΩ 1/16W J	
C801	NCS31HJ-220X	C CAPACITOR	22pF 50V J		R340	NRSA63J-0R0X	MG RESISTOR	0Ω 1/16W J	
C802	NCS31HJ-220X	C CAPACITOR	22pF 50V J		R343	NRSA63J-473X	MG RESISTOR	47kΩ 1/16W J	
C803	NCB31CK-473X	C CAPACITOR	0.047uF 16V K		R344	NRSA63J-222X	MG RESISTOR	2.2kΩ 1/16W J	
C804	NCS31HJ-220X	C CAPACITOR	22pF 50V J		R345	NRSA63J-102X	MG RESISTOR	1kΩ 1/16W J	
C821	QEKJ1CM-106Z	E CAPACITOR	10uF 16V M		R346	NRSA63J-101X	MG RESISTOR	100Ω 1/16W J	
C822	QEKJ1CM-106Z	E CAPACITOR	10uF 16V M		R347	NRSA63J-0R0X	MG RESISTOR	0Ω 1/16W J	
C823	NCB31HK-103X	C CAPACITOR	0.01uF 50V K		R349	NRSA63J-273X	MG RESISTOR	27kΩ 1/16W J	
C831	NCS31HJ-101X	C CAPACITOR	100pF 50V J		R350	NRSA63J-0R0X	MG RESISTOR	0Ω 1/16W J	
C885	QEKJ1CM-106Z	E CAPACITOR	10uF 16V M		R353	NRSA63J-473X	MG RESISTOR	47kΩ 1/16W J	
C889	NCB31CK-104X	C CAPACITOR	0.1uF 16V K		R354	NRSA63J-222X	MG RESISTOR	2.2kΩ 1/16W J	
C892	NCB31CK-104X	C CAPACITOR	0.1uF 16V K		R355	NRSA63J-102X	MG RESISTOR	1kΩ 1/16W J	
C901	QEZ0722-338	E CAPACITOR	3300uF		R356	NRSA63J-101X	MG RESISTOR	100Ω 1/16W J	
C902	QEKJ1HM-225Z	E CAPACITOR	2.2uF 50V M		R357	NRSA63J-0R0X	MG RESISTOR	0Ω 1/16W J	
C903	QEKJ1CM-106Z	E CAPACITOR	10uF 16V M		R359	NRSA63J-273X	MG RESISTOR	27kΩ 1/16W J	
C904	QEKJ1CM-226Z	E CAPACITOR	22uF 16V M		R360	NRSA63J-0R0X	MG RESISTOR	0Ω 1/16W J	
C905	QEKJ1AM-107Z	E CAPACITOR	100uF 10V M		R401	NRSA63J-471X	MG RESISTOR	470Ω 1/16W J	
C906	QEKJ1CM-476Z	E CAPACITOR	47uF 16V M		R402	NRSA63J-100X	MG RESISTOR	10Ω 1/16W J	
C907	NCB31HK-103X	C CAPACITOR	0.01uF 50V K		R403	NRSA63J-471X	MG RESISTOR	470Ω 1/16W J	
C909	QEKJ1CM-107Z	E CAPACITOR	100uF 16V M		R404	NRSA63J-1R0X	MG RESISTOR	1Ω 1/16W J	
C911	NCB31HK-102X	C CAPACITOR	1000pF 50V K		R412	NRSA63D-682X	MG RESISTOR	6.8kΩ 1/16W D	
C912	QEKJ1CM-226Z	E CAPACITOR	22uF 16V M		R413	NRSA63J-100X	MG RESISTOR	10Ω 1/16W J	
C913	NCB31EK-473X	C CAPACITOR	0.047uF 25V K		R414	NRSA63J-102X	MG RESISTOR	1kΩ 1/16W J	
C921	QEKJ1AM-227Z	E CAPACITOR	220uF 10V M		R415	NRSA63J-750X	MG RESISTOR	75Ω 1/16W J	
C922	QEKJ1AM-107Z	E CAPACITOR	100uF 10V M		R416	NRSA63J-0R0X	MG RESISTOR	0Ω 1/16W J	
C925	QEKJ1AM-227Z	E CAPACITOR	220uF 10V M		R417	NRSA63D-181X	MG RESISTOR	180Ω 1/16W D	
C926	QEXF1AM-476Z	E CAPACITOR	47uF 10V M		R704	NRSA63J-271X	MG RESISTOR	270Ω 1/16W J	
C927	QEZ0595-477Z	E CAPACITOR	470uF		R705	NRSA63J-271X	MG RESISTOR	270Ω 1/16W J	
C928	NCF31CZ-104X	C CAPACITOR	0.1uF 16V Z		R706	NRSA63J-103X	MG RESISTOR	10kΩ 1/16W J	
C929	NCB31HK-472X	C CAPACITOR	4700pF 50V K		R707	NRSA63J-103X	MG RESISTOR	10kΩ 1/16W J	
C930	NCF31CZ-104X	C CAPACITOR	0.1uF 16V Z		R713	NRSA63J-103X	MG RESISTOR	10kΩ 1/16W J	
C962	QEKJ1AM-227Z	E CAPACITOR	220uF 10V M		R714	NRSA63J-104X	MG RESISTOR	100kΩ 1/16W J	
C963	QEKJ1AM-227Z	E CAPACITOR	220uF 10V M		R715	NRSA63J-271X	MG RESISTOR	270Ω 1/16W J	
C966	NCB31CK-104X	C CAPACITOR	0.1uF 16V K		R716	NRSA63J-271X	MG RESISTOR	270Ω 1/16W J	
C967	NCB31CK-104X	C CAPACITOR	0.1uF 16V K		R717	NRSA63J-221X	MG RESISTOR	220Ω 1/16W J	
C968	NCB31EK-473X	C CAPACITOR	0.047uF 25V K		R718	NRSA63J-103X	MG RESISTOR	10kΩ 1/16W J	
C969	NCB31EK-473X	C CAPACITOR	0.047uF 25V K		R719	NRSA63J-102X	MG RESISTOR	1kΩ 1/16W J	
C981	NCB31CK-104X	C CAPACITOR	0.1uF 16V K		R720	NRSA63J-102X	MG RESISTOR	1kΩ 1/16W J	
C999	NCS31HJ-101X	C CAPACITOR	100pF 50V J		R721	NRSA63J-222X	MG RESISTOR	2.2kΩ 1/16W J	
					R722	NRSA63J-222X	MG RESISTOR	2.2kΩ 1/16W J	
R1	NRSA63J-0R0X	MG RESISTOR	0Ω 1/16W J		R725	NRSA63J-473X	MG RESISTOR	47kΩ 1/16W J	
R2	NRSA63J-122X	MG RESISTOR	1.2kΩ 1/16W J		R726	NRSA63J-103X	MG RESISTOR	10kΩ 1/16W J	
R3	NRSA63J-122X	MG RESISTOR	1.2kΩ 1/16W J		R727	NRSA63J-562X	MG RESISTOR	5.6kΩ 1/16W J	
R4	NRSA63J-102X	MG RESISTOR	1kΩ 1/16W J		R728	NRSA63J-472X	MG RESISTOR	4.7kΩ 1/16W J	
R5	NRSA63J-0R0X	MG RESISTOR	0Ω 1/16W J		R729	NRSA63J-0R0X	MG RESISTOR	0Ω 1/16W J	
R6	NRSA63J-0R0X	MG RESISTOR	0Ω 1/16W J		R733	NRSA63J-103X	MG RESISTOR	10kΩ 1/16W J	
R7	NRSA63J-473X	MG RESISTOR	47kΩ 1/16W J		R735	NRSA63J-0R0X	MG RESISTOR	0Ω 1/16W J	
R8	NRSA63J-101X	MG RESISTOR	100Ω 1/16W J		R736	NRSA63J-222X	MG RESISTOR	2.2kΩ 1/16W J	
R9	NRSA63J-473X	MG RESISTOR	47kΩ 1/16W J		R737	NRSA63J-222X	MG RESISTOR	2.2kΩ 1/16W J	
R10	NRSA63J-472X	MG RESISTOR	4.7kΩ 1/16W J		R738	NRSA63J-472X	MG RESISTOR	4.7kΩ 1/16W J	
R11	NRSA63J-472X	MG RESISTOR	4.7kΩ 1/16W J		R739	NRSA63J-472X	MG RESISTOR	4.7kΩ 1/16W J	
R12	NRS181J-4R7X	MG RESISTOR	4.7Ω 1/8W J		R743	NRSA63J-473X	MG RESISTOR	47kΩ 1/16W J	

△ Symbol No.	Part No.	Part Name	Description	Local
C661	NBE20JM-106X	TA E CAPACITOR	10uF 6.3V M	
C662	NCS31HJ-681X	C CAPACITOR	680pF 50V J	
C663	NCB31HK-223X	C CAPACITOR	0.022uF 50V K	
C664	NCB31HK-104X	C CAPACITOR	0.1uF 50V K	
C681	NBE20JM-475X	TA E CAPACITOR	4.7uF 6.3V M	
C682	NCB31HK-123X	C CAPACITOR	0.012uF 50V K	
C686	NCB31HK-223X	C CAPACITOR	0.022uF 50V K	
C687	NCB31HK-223X	C CAPACITOR	0.022uF 50V K	
R601	NRSA63J-821X	MG RESISTOR	820Ω 1/16W J	
R602	NRSA63J-821X	MG RESISTOR	820Ω 1/16W J	
R603	NRSA63J-122X	MG RESISTOR	1.2kΩ 1/16W J	
R604	NRSA63J-182X	MG RESISTOR	1.8kΩ 1/16W J	
R605	NRSA63J-272X	MG RESISTOR	2.7kΩ 1/16W J	
R606	NRSA63J-821X	MG RESISTOR	820Ω 1/16W J	
R607	NRSA63J-821X	MG RESISTOR	820Ω 1/16W J	
R608	NRSA63J-122X	MG RESISTOR	1.2kΩ 1/16W J	
R609	NRSA63J-182X	MG RESISTOR	1.8kΩ 1/16W J	
R610	NRSA63J-272X	MG RESISTOR	2.7kΩ 1/16W J	
R611	NRSA63J-821X	MG RESISTOR	820Ω 1/16W J	
R612	NRSA63J-821X	MG RESISTOR	820Ω 1/16W J	
R613	NRSA63J-122X	MG RESISTOR	1.2kΩ 1/16W J	
R614	NRSA63J-182X	MG RESISTOR	1.8kΩ 1/16W J	
R615	NRSA63J-272X	MG RESISTOR	2.7kΩ 1/16W J	
R625	NRSA63J-471X	MG RESISTOR	470Ω 1/16W J	
R627	NRSA63J-471X	MG RESISTOR	470Ω 1/16W J	
R630	NRSA63J-821X	MG RESISTOR	820Ω 1/16W J	
R631	NRSA63J-471X	MG RESISTOR	470Ω 1/16W J	
R633	NRSA63J-331X	MG RESISTOR	330Ω 1/16W J	
R635	NRSA63J-471X	MG RESISTOR	470Ω 1/16W J	
R637	NRSA63J-331X	MG RESISTOR	330Ω 1/16W J	
R639	NRSA63J-331X	MG RESISTOR	330Ω 1/16W J	
R641	NRSA63J-471X	MG RESISTOR	470Ω 1/16W J	
R643	NRSA63J-471X	MG RESISTOR	470Ω 1/16W J	
R645	NRSA63J-471X	MG RESISTOR	470Ω 1/16W J	
R649	NRS181J-391X	MG RESISTOR	390Ω 1/8W J	
R650	NRS181J-391X	MG RESISTOR	390Ω 1/8W J	
R661	NRSA63J-222X	MG RESISTOR	2.2kΩ 1/16W J	
R662	NRSA63J-222X	MG RESISTOR	2.2kΩ 1/16W J	
R663	NRSA63J-184X	MG RESISTOR	180kΩ 1/16W J	
R664	NRSA63J-103X	MG RESISTOR	10kΩ 1/16W J	
R665	NRSA63J-513X	MG RESISTOR	51kΩ 1/16W J	
R666	NRSA63J-103X	MG RESISTOR	10kΩ 1/16W J	
R667	NRSA63J-103X	MG RESISTOR	10kΩ 1/16W J	
R668	NRSA63J-103X	MG RESISTOR	10kΩ 1/16W J	
R670	NRS181J-471X	MG RESISTOR	470Ω 1/8W J	
R671	NRSA63J-473X	MG RESISTOR	47kΩ 1/16W J	
R672	NRS181J-102X	MG RESISTOR	1kΩ 1/8W J	
R681	NRSA63J-471X	MG RESISTOR	470Ω 1/16W J	
R682	NRSA63J-103X	MG RESISTOR	10kΩ 1/16W J	
R686	NRSA63J-101X	MG RESISTOR	100Ω 1/16W J	
R687	NRSA63J-473X	MG RESISTOR	47kΩ 1/16W J	
R688	NRSA63J-473X	MG RESISTOR	47kΩ 1/16W J	
CJ601	QGZ1601K1-15S	CONNECTOR	(1-15)	
JS686	QSW0976-001	ROTARY ENCODER		
S601	NSW0124-001X	TACT SW		
S602	NSW0124-001X	TACT SW		
S603	NSW0124-001X	TACT SW		
S604	NSW0124-001X	TACT SW		
S605	NSW0124-001X	TACT SW		
S606	NSW0124-001X	TACT SW		
S607	NSW0124-001X	TACT SW		
S608	NSW0124-001X	TACT SW		
S609	NSW0124-001X	TACT SW		
S610	NSW0124-001X	TACT SW		
S611	NSW0124-001X	TACT SW		
S612	NSW0124-001X	TACT SW		
S613	NSW0124-001X	TACT SW		
S614	NSW0124-001X	TACT SW		
S615	NSW0124-001X	TACT SW		
S616	NSW0124-001X	TACT SW		
S617	NSW0124-001X	TACT SW		
S618	NSW0124-001X	TACT SW		

Main board

**(KD-DV4203UI,DV4204UI,DV4205U,
DV4205UN,DV4205UT,DV4205A,
DV4206U,DV4206UN,DV4206UT,
DV4206A)**

Block No. [0][5]

△ Symbol No.	Part No.	Part Name	Description	Local
IC161	NJW1192V-X	IC		
IC301	TB2904HQ	IC		
IC401	SN74AHCT1G08V-X	IC		
IC402	TOTX177L	OPTICAL JACK		
IC411	MM1510XN-X	IC		
IC721	UPD784218AGC343	IC		
IC722	BR24L16F-W-X	IC		
IC723	S-80833CNNB-G-W	IC		
IC801	SN74AHC126NS-X	IC		
IC901	R2S25400DS-E	REGULATOR IC		
IC921	BA33BC0FP-X	IC		
IC922	BD9781HFP-W	DC CONVERTOR		
IC961	SN74LVC32APW-X	IC		
IC962	SN74HCT32APW-X	IC		
Q2	RT1N141C-X	DIGI TRANSISTOR		
Q301	RT1N441C-X	TRANSISTOR		
Q302	RT1P441C-X	TRANSISTOR		
Q303	RT1N141C-X	DIGI TRANSISTOR		
Q344	KTD1304-X	TRANSISTOR		
Q354	KTD1304-X	TRANSISTOR		
Q781	RT1P141C-X	DIGI TRANSISTOR		
Q783	RT1P141C-X	DIGI TRANSISTOR		
Q821	RT1N141C-X	DIGI TRANSISTOR		
Q822	RT1P141C-X	DIGI TRANSISTOR		
Q823	2SC4485/ST-T	TRANSISTOR		
Q885	RT1N141C-X	DIGI TRANSISTOR		
Q903	2SA1530A/R/-X	TRANSISTOR		
Q904	RT1N141C-X	DIGI TRANSISTOR		
Q976	RT1N441C-X	TRANSISTOR		
Q977	2SA1530A/R/-X	TRANSISTOR		
D1	1SS355W-X	DIODE C.M		
D2	1SS355W-X	DIODE C.M		
D301	UDZW11B-X	Z DIODE		
D302	1SS355W-X	DIODE C.M		
D305	CRS03-W	SB DIODE		
D308	CRS03-W	SB DIODE		
D344	1SS355W-X	DIODE C.M		
D354	1SS355W-X	DIODE C.M		
D401	CRS03-W	SB DIODE		
D411	UDZW12B-X	Z DIODE		
D731	1SS355W-X	DIODE C.M		
D781	1SS355W-X	DIODE C.M		
D782	1SS355W-X	DIODE C.M		
D783	UDZW11B-X	Z DIODE		
D801	CRS03-W	SB DIODE		
D821	UDZW12B-X	Z DIODE		
D851	CRS03-W	SB DIODE		
D852	CRS03-W	SB DIODE		
D885	1SS355W-X	DIODE C.M		
D901	1N5401-F64	DIODE		
D903	1SS355W-X	DIODE C.M		
D906	UDZW5.1B-X	SI DIODE		
D921	1A3G-T1	SI DIODE		
D922	RB051L-40-X	SB DIODE		
D923	CRS03-W	SB DIODE		
D924	CRS03-W	SB DIODE		
D925	CRS03-W	SB DIODE		
D981	CRS03-W	SB DIODE		
D982	CRS03-W	SB DIODE		
C2	NDC31HJ-2R0X	C CAPACITOR	2pF 50V J	
C4	NCB31HK-103X	C CAPACITOR	0.01uF 50V K	
C5	QEKJ1CM-476Z	E CAPACITOR	47uF 16V M	
C6	NCB31EK-473X	C CAPACITOR	0.047uF 25V K	

△ Symbol No.	Part No.	Part Name	Description	Local	△ Symbol No.	Part No.	Part Name	Description	Local
C7	QEKJ1AM-227Z	E CAPACITOR	220uF 10V M		C802	NCS31HJ-220X	C CAPACITOR	22pF 50V J	
C8	NCB31HK-104X	C CAPACITOR	0.1uF 50V K		C803	NCB31CK-473X	C CAPACITOR	0.047uF 16V K	
C9	NCB31HK-104X	C CAPACITOR	0.1uF 50V K		C804	NCS31HJ-220X	C CAPACITOR	22pF 50V J	
C83	QEKJ1HM-475Z	E CAPACITOR	4.7uF 50V M		C821	QEKJ1CM-106Z	E CAPACITOR	10uF 16V M	
C93	QEKJ1HM-475Z	E CAPACITOR	4.7uF 50V M		C822	QEKJ1CM-106Z	E CAPACITOR	10uF 16V M	
C161	QTE1A57-107Z	E CAPACITOR	100uF 10V		C823	NCB31HK-103X	C CAPACITOR	0.01uF 50V K	
C162	NCB31HK-103X	C CAPACITOR	0.01uF 50V K		C851	NCB31CK-104X	C CAPACITOR	0.1uF 16V K	
C164	QTE1C57-106Z	E CAPACITOR	10uF 16V		C885	QEKJ1CM-106Z	E CAPACITOR	10uF 16V M	
C169	NCB31HK-103X	C CAPACITOR	0.01uF 50V K		C889	NCB31CK-104X	C CAPACITOR	0.1uF 16V K	
C171	QEKJ1HM-225Z	E CAPACITOR	2.2uF 50V M		C901	QEZ0722-338	E CAPACITOR	3300uF	
C172	QTE1H55-225Z	E CAPACITOR	2.2uF 50V		C902	QEKJ1HM-225Z	E CAPACITOR	2.2uF 50V M	
C173	QEKJ1CM-226Z	E CAPACITOR	22uF 16V M		C903	QEKJ1CM-106Z	E CAPACITOR	10uF 16V M	
C174	NCS31HJ-471X	C CAPACITOR	470pF 50V J		C904	QEKJ1CM-226Z	E CAPACITOR	22uF 16V M	
C175	NCB31HK-104X	C CAPACITOR	0.1uF 50V K		C905	QEKJ1AM-107Z	E CAPACITOR	100uF 10V M	
C176	NCB31HK-472X	C CAPACITOR	4700pF 50V K		C906	QEKJ1CM-476Z	E CAPACITOR	47uF 16V M	
C177	QEKJ1HM-225Z	E CAPACITOR	2.2uF 50V M		C907	NCB31HK-103X	C CAPACITOR	0.01uF 50V K	
C178	NCB31HK-104X	C CAPACITOR	0.1uF 50V K		C909	QEKJ1CM-107Z	E CAPACITOR	100uF 16V M	
C179	QEKJ1HM-475Z	E CAPACITOR	4.7uF 50V M		C911	NCB31HK-102X	C CAPACITOR	1000pF 50V K	
C180	QTE1H57-475Z	E CAPACITOR	4.7uF 50V		C912	QEKJ1CM-226Z	E CAPACITOR	22uF 16V M	
C181	QEKJ1HM-225Z	E CAPACITOR	2.2uF 50V M		C913	NCB31EK-473X	C CAPACITOR	0.047uF 25V K	
C182	QTE1H55-225Z	E CAPACITOR	2.2uF 50V		C921	QEKJ1AM-227Z	E CAPACITOR	220uF 10V M	
C183	QEKJ1CM-226Z	E CAPACITOR	22uF 16V M		C922	QEKJ1AM-107Z	E CAPACITOR	100uF 10V M	
C184	NCS31HJ-471X	C CAPACITOR	470pF 50V J		C925	QEKJ1AM-227Z	E CAPACITOR	220uF 10V M	
C185	NCB31HK-104X	C CAPACITOR	0.1uF 50V K		C926	QEXF1AM-476Z	E CAPACITOR	47uF 10V M	
C186	NCB31HK-472X	C CAPACITOR	4700pF 50V K		C927	QEZ0595-477Z	E CAPACITOR	470uF	
C187	QEKJ1HM-225Z	E CAPACITOR	2.2uF 50V M		C928	NCF31CZ-104X	C CAPACITOR	0.1uF 16V Z	
C188	NCB31HK-104X	C CAPACITOR	0.1uF 50V K		C929	NCB31HK-472X	C CAPACITOR	4700pF 50V K	
C189	QEKJ1HM-475Z	E CAPACITOR	4.7uF 50V M		C930	NCF31CZ-104X	C CAPACITOR	0.1uF 16V Z	
C190	QTE1H57-475Z	E CAPACITOR	4.7uF 50V		C962	QEKJ1AM-227Z	E CAPACITOR	220uF 10V M	
C301	QEKJ1CM-476Z	E CAPACITOR	47uF 16V M		C963	QEKJ1AM-227Z	E CAPACITOR	220uF 10V M	
C302	NCB31HK-103X	C CAPACITOR	0.01uF 50V K		C966	NCB31CK-104X	C CAPACITOR	0.1uF 16V K	
C311	QEKJ1EM-475Z	E CAPACITOR	4.7uF 25V M		C967	NCB31CK-104X	C CAPACITOR	0.1uF 16V K	
C312	QTE1C57-476Z	E CAPACITOR	47uF 16V		C968	NCB31EK-473X	C CAPACITOR	0.047uF 25V K	
C313	NCB31HK-103X	C CAPACITOR	0.01uF 50V K		C969	NCB31EK-473X	C CAPACITOR	0.047uF 25V K	
C314	QEKJ1HM-225Z	E CAPACITOR	2.2uF 50V M		C981	NCB31CK-104X	C CAPACITOR	0.1uF 16V K	
C315	QEKJ1HM-475Z	E CAPACITOR	4.7uF 50V M		C999	NCS31HJ-101X	C CAPACITOR	100pF 50V J	
C316	NCB31HK-103X	C CAPACITOR	0.01uF 50V K						
C328	QFV91HJ-474Z	MF CAPACITOR	0.47uF 50V J		R1	NRSA63J-0R0X	MG RESISTOR	0Ω 1/16W J	
C329	NCS31HJ-101X	C CAPACITOR	100pF 50V J		R2	NRSA63J-122X	MG RESISTOR	1.2kΩ 1/16W J	
C331	NCB31HK-223X	C CAPACITOR	0.022uF 50V K		R3	NRSA63J-122X	MG RESISTOR	1.2kΩ 1/16W J	
C338	QFV91HJ-474Z	MF CAPACITOR	0.47uF 50V J		R4	NRSA63J-102X	MG RESISTOR	1kΩ 1/16W J	
C339	NCS31HJ-101X	C CAPACITOR	100pF 50V J		R5	NRSA63J-0R0X	MG RESISTOR	0Ω 1/16W J	
C346	QEKJ1EM-475Z	E CAPACITOR	4.7uF 25V M		R6	NRSA63J-0R0X	MG RESISTOR	0Ω 1/16W J	
C348	QFV91HJ-474Z	MF CAPACITOR	0.47uF 50V J		R7	NRSA63J-473X	MG RESISTOR	47kΩ 1/16W J	
C349	NCS31HJ-101X	C CAPACITOR	100pF 50V J		R8	NRSA63J-101X	MG RESISTOR	100Ω 1/16W J	
C356	QEKJ1EM-475Z	E CAPACITOR	4.7uF 25V M		R9	NRSA63J-473X	MG RESISTOR	47kΩ 1/16W J	
C358	QFV91HJ-474Z	MF CAPACITOR	0.47uF 50V J		R10	NRSA63J-472X	MG RESISTOR	4.7kΩ 1/16W J	
C359	NCS31HJ-101X	C CAPACITOR	100pF 50V J		R11	NRSA63J-472X	MG RESISTOR	4.7kΩ 1/16W J	
C401	NCS31HJ-220X	C CAPACITOR	22pF 50V J		R12	NRS181J-4R7X	MG RESISTOR	4.7Ω 1/8W J	
C402	NCB31HK-103X	C CAPACITOR	0.01uF 50V K		R13	NRS181J-6R8X	MG RESISTOR	6.8Ω 1/8W J	
C403	NCB31HK-103X	C CAPACITOR	0.01uF 50V K		R14	NRSA63J-123X	MG RESISTOR	12kΩ 1/16W J	
C404	QEKJ0JM-107Z	E CAPACITOR	100uF 6.3V M		R15	NRSA63J-202X	MG RESISTOR	2kΩ 1/16W J	
C405	NCS31HJ-220X	C CAPACITOR	22pF 50V J		R19	NRSA63J-473X	MG RESISTOR	47kΩ 1/16W J	
C406	NCB31HK-103X	C CAPACITOR	0.01uF 50V K		R81	NRSA63J-123X	MG RESISTOR	12kΩ 1/16W J	
C411	QEKJ1AM-227Z	E CAPACITOR	220uF 10V M		R82	NRSA63J-472X	MG RESISTOR	4.7kΩ 1/16W J	
C412	NCB31EK-473X	C CAPACITOR	0.047uF 25V K		R91	NRSA63J-123X	MG RESISTOR	12kΩ 1/16W J	
C413	QCZ0202-155Z	C CAPACITOR	1.5uF 25V Z		R92	NRSA63J-472X	MG RESISTOR	4.7kΩ 1/16W J	
C414	QERF0JM-337Z	E CAPACITOR	330uF 6.3V M		R171	NRSA63J-393X	MG RESISTOR	39kΩ 1/16W J	
C415	NCS31HJ-101X	C CAPACITOR	100pF 50V J		R172	NRSA63J-472X	MG RESISTOR	4.7kΩ 1/16W J	
C416	NCB31HK-103X	C CAPACITOR	0.01uF 50V K		R173	NRSA63J-222X	MG RESISTOR	2.2kΩ 1/16W J	
C701	NCB31CK-104X	C CAPACITOR	0.1uF 16V K		R181	NRSA63J-393X	MG RESISTOR	39kΩ 1/16W J	
C702	NCB31CK-104X	C CAPACITOR	0.1uF 16V K		R182	NRSA63J-472X	MG RESISTOR	4.7kΩ 1/16W J	
C721	NCB31EK-473X	C CAPACITOR	0.047uF 25V K		R183	NRSA63J-222X	MG RESISTOR	2.2kΩ 1/16W J	
C722	QEKJ1AM-227Z	E CAPACITOR	220uF 10V M		R302	NRSA63J-0R0X	MG RESISTOR	0Ω 1/16W J	
C723	NCS31HJ-471X	C CAPACITOR	470pF 50V J		R304	NRSA63J-473X	MG RESISTOR	47kΩ 1/16W J	
C724	NCS31HJ-471X	C CAPACITOR	470pF 50V J		R305	NRSA63J-103X	MG RESISTOR	10kΩ 1/16W J	
C725	QEKJ1AM-227Z	E CAPACITOR	220uF 10V M		R306	NRS181J-0R0X	MG RESISTOR	0Ω 1/8W J	
C726	NDC31HJ-8R0X	C CAPACITOR	8pF 50V J		R307	NRSA63J-472X	MG RESISTOR	4.7kΩ 1/16W J	
C727	NDC31HJ-270X	C CAPACITOR	27pF 50V J		R327	NRSA63J-0R0X	MG RESISTOR	0Ω 1/16W J	
C728	NDC31HJ-270X	C CAPACITOR	27pF 50V J		R329	NRSA63J-102X	MG RESISTOR	1kΩ 1/16W J	
C729	NDC31HJ-220X	C CAPACITOR	22pF 50V J		R330	NRSA63J-102X	MG RESISTOR	1kΩ 1/16W J	
C730	QEKJ0JM-476Z	E CAPACITOR	47uF 6.3V M		R337	NRSA63J-0R0X	MG RESISTOR	0Ω 1/16W J	
C731	NCB31HK-103X	C CAPACITOR	0.01uF 50V K		R339	NRSA63J-102X	MG RESISTOR	1kΩ 1/16W J	
C732	QEKJ1AM-227Z	E CAPACITOR	220uF 10V M		R340	NRSA63J-102X	MG RESISTOR	1kΩ 1/16W J	
C733	NCS31HJ-471X	C CAPACITOR	470pF 50V J		R343	NRSA63J-473X	MG RESISTOR	47kΩ 1/16W J	
C781	QEKJ0JM-476Z	E CAPACITOR	47uF 6.3V M		R344	NRSA63J-222X	MG RESISTOR	2.2kΩ 1/16W J	
C783	QEKJ1CM-107Z	E CAPACITOR	100uF 16V M		R345	NRSA63J-102X	MG RESISTOR	1kΩ 1/16W J	
C801	NCS31HJ-220X	C CAPACITOR	22pF 50V J		R346	NRSA63J-101X	MG RESISTOR	100Ω 1/16W J	

△ Symbol No.	Part No.	Part Name	Description	Local	△ Symbol No.	Part No.	Part Name	Description	Local
R347	NRSA63J-0R0X	MG RESISTOR	0Ω 1/16W J						DV42
R349	NRSA63J-102X	MG RESISTOR	1kΩ 1/16W J						05U,D
R350	NRSA63J-102X	MG RESISTOR	1kΩ 1/16W J						V4205
R353	NRSA63J-473X	MG RESISTOR	47kΩ 1/16W J						UN,D
R354	NRSA63J-222X	MG RESISTOR	2.2kΩ 1/16W J						V4205
R355	NRSA63J-102X	MG RESISTOR	1kΩ 1/16W J						UT,DV
R356	NRSA63J-101X	MG RESISTOR	100Ω 1/16W J		R750	NRSA63J-473X	MG RESISTOR	47kΩ 1/16W J	4205A
R357	NRSA63J-0R0X	MG RESISTOR	0Ω 1/16W J						,DV42
R359	NRSA63J-102X	MG RESISTOR	1kΩ 1/16W J						06U,D
R360	NRSA63J-102X	MG RESISTOR	1kΩ 1/16W J						V4206
R401	NRSA63J-471X	MG RESISTOR	470Ω 1/16W J						UN,D
R402	NRSA63J-100X	MG RESISTOR	10Ω 1/16W J						V4206
R403	NRSA63J-471X	MG RESISTOR	470Ω 1/16W J						UT,DV
R404	NRSA63J-1R0X	MG RESISTOR	1Ω 1/16W J		R751	NRSA63J-333X	MG RESISTOR	33kΩ 1/16W J	4206A
R412	NRSA63D-682X	MG RESISTOR	6.8kΩ 1/16W D		R755	NRSA63J-103X	MG RESISTOR	10kΩ 1/16W J	
R413	NRSA63J-100X	MG RESISTOR	10Ω 1/16W J		R756	NRSA63J-222X	MG RESISTOR	2.2kΩ 1/16W J	
R414	NRSA63J-102X	MG RESISTOR	1kΩ 1/16W J		R757	NRSA63J-473X	MG RESISTOR	47kΩ 1/16W J	
R415	NRSA63J-750X	MG RESISTOR	75Ω 1/16W J		R758	NRSA63J-224X	MG RESISTOR	220kΩ 1/16W J	
R416	NRSA63J-0R0X	MG RESISTOR	0Ω 1/16W J		R759	NRSA63J-224X	MG RESISTOR	220kΩ 1/16W J	
R417	NRSA63D-181X	MG RESISTOR	180Ω 1/16W D		R760	NRSA63J-472X	MG RESISTOR	4.7kΩ 1/16W J	
R704	NRSA63J-271X	MG RESISTOR	270Ω 1/16W J		R761	NRSA63J-472X	MG RESISTOR	4.7kΩ 1/16W J	
R705	NRSA63J-271X	MG RESISTOR	270Ω 1/16W J		R762	NRSA63J-472X	MG RESISTOR	4.7kΩ 1/16W J	
R706	NRSA63J-103X	MG RESISTOR	10kΩ 1/16W J		R763	NRSA63J-103X	MG RESISTOR	10kΩ 1/16W J	
R707	NRSA63J-103X	MG RESISTOR	10kΩ 1/16W J		R765	NRSA63J-103X	MG RESISTOR	10kΩ 1/16W J	
R713	NRSA63J-103X	MG RESISTOR	10kΩ 1/16W J		R766	NRSA63J-473X	MG RESISTOR	47kΩ 1/16W J	
R714	NRSA63J-104X	MG RESISTOR	100kΩ 1/16W J		R767	NRSA63J-103X	MG RESISTOR	10kΩ 1/16W J	
R715	NRSA63J-271X	MG RESISTOR	270Ω 1/16W J		R768	NRSA63J-0R0X	MG RESISTOR	0Ω 1/16W J	
R716	NRSA63J-271X	MG RESISTOR	270Ω 1/16W J		R771	NRSA63J-392X	MG RESISTOR	3.9kΩ 1/16W J	
R717	NRSA63J-221X	MG RESISTOR	220Ω 1/16W J		R774	NRSA63J-472X	MG RESISTOR	4.7kΩ 1/16W J	
R718	NRSA63J-103X	MG RESISTOR	10kΩ 1/16W J		R775	NRSA63J-472X	MG RESISTOR	4.7kΩ 1/16W J	
R719	NRSA63J-102X	MG RESISTOR	1kΩ 1/16W J		R776	NRSA63J-472X	MG RESISTOR	4.7kΩ 1/16W J	
R720	NRSA63J-102X	MG RESISTOR	1kΩ 1/16W J		R777	NRSA63J-102X	MG RESISTOR	1kΩ 1/16W J	
R721	NRSA63J-222X	MG RESISTOR	2.2kΩ 1/16W J		R779	NRSA63J-222X	MG RESISTOR	2.2kΩ 1/16W J	
R722	NRSA63J-222X	MG RESISTOR	2.2kΩ 1/16W J		R781	NRSA63J-471X	MG RESISTOR	470Ω 1/16W J	
R725	NRSA63J-473X	MG RESISTOR	47kΩ 1/16W J		R801	NRSA63J-101X	MG RESISTOR	100Ω 1/16W J	
R726	NRSA63J-103X	MG RESISTOR	10kΩ 1/16W J		R802	NRSA63J-473X	MG RESISTOR	47kΩ 1/16W J	
R727	NRSA63J-562X	MG RESISTOR	5.6kΩ 1/16W J		R803	NRSA63J-223X	MG RESISTOR	22kΩ 1/16W J	
R728	NRSA63J-472X	MG RESISTOR	4.7kΩ 1/16W J		R804	NRSA63J-104X	MG RESISTOR	100kΩ 1/16W J	
R729	NRSA63J-0R0X	MG RESISTOR	0Ω 1/16W J		R805	NRSA63J-103X	MG RESISTOR	10kΩ 1/16W J	
R733	NRSA63J-103X	MG RESISTOR	10kΩ 1/16W J		R806	NRSA63J-104X	MG RESISTOR	100kΩ 1/16W J	
R735	NRSA63J-0R0X	MG RESISTOR	0Ω 1/16W J		R807	NRSA63J-331X	MG RESISTOR	330Ω 1/16W J	
R736	NRSA63J-222X	MG RESISTOR	2.2kΩ 1/16W J		R808	NRSA63J-223X	MG RESISTOR	22kΩ 1/16W J	
R737	NRSA63J-222X	MG RESISTOR	2.2kΩ 1/16W J		R809	NRSA63J-101X	MG RESISTOR	100Ω 1/16W J	
R738	NRSA63J-472X	MG RESISTOR	4.7kΩ 1/16W J		R810	NRSA63J-473X	MG RESISTOR	47kΩ 1/16W J	
R739	NRSA63J-472X	MG RESISTOR	4.7kΩ 1/16W J		R821	NRSA63J-100X	MG RESISTOR	10Ω 1/16W J	
R743	NRSA63J-473X	MG RESISTOR	47kΩ 1/16W J		R822	NRSA63J-471X	MG RESISTOR	470Ω 1/16W J	
R744	NRSA63J-821X	MG RESISTOR	820Ω 1/16W J		R823	NRSA63J-223X	MG RESISTOR	22kΩ 1/16W J	
R745	NRSA63J-106X	MG RESISTOR	10MΩ 1/16W J						DV42
R746	NRSA63J-473X	MG RESISTOR	47kΩ 1/16W J						03UI,
				DV42					DV42
R747	NRSA63J-473X	MG RESISTOR	47kΩ 1/16W J	05A,D					04UI,
				V4206					DV42
				A					05U,D
				DV42	R841	NRSA63J-473X	MG RESISTOR	47kΩ 1/16W J	V4205
R748	NRSA63J-473X	MG RESISTOR	47kΩ 1/16W J	03UI,					UN,D
				DV42					V4205
				04UI,					UT,DV
				DV42					,DV42
				03UI,					06UN,
				DV42					DV42
				04UI,					06UT
				DV42					DV42
				05U,D	R843	NRSA63J-473X	MG RESISTOR	47kΩ 1/16W J	05A,D
				V4205					V4206
R749	NRSA63J-473X	MG RESISTOR	47kΩ 1/16W J	UN,D					A
				V4205	R844	NRSA63J-473X	MG RESISTOR	47kΩ 1/16W J	
				UT,DV	R846	NRSA63J-392X	MG RESISTOR	3.9kΩ 1/16W J	
				4206U	R847	NRSA63J-392X	MG RESISTOR	3.9kΩ 1/16W J	
				,DV42	R848	NRSA63J-221X	MG RESISTOR	220Ω 1/16W J	
				06UN,	R851	NRSA63J-472X	MG RESISTOR	4.7kΩ 1/16W J	
				DV42	R885	NRSA63J-473X	MG RESISTOR	47kΩ 1/16W J	
				06UT	R886	NRSA63J-472X	MG RESISTOR	4.7kΩ 1/16W J	
					R887	NRSA63J-103X	MG RESISTOR	10kΩ 1/16W J	
					R901	QRE142J-102X	C RESISTOR	1kΩ 1/4W J	
					R902	NRSA63J-912X	MG RESISTOR	9.1kΩ 1/16W J	
					R903	NRSA63J-472X	MG RESISTOR	4.7kΩ 1/16W J	
					R909	NRSA63J-473X	MG RESISTOR	47kΩ 1/16W J	
					R910	NRSA63J-222X	MG RESISTOR	2.2kΩ 1/16W J	
					R914	NRS181J-221X	MG RESISTOR	220Ω 1/8W J	
					R923	NRSA63J-393X	MG RESISTOR	39kΩ 1/16W J	

△ Symbol No.	Part No.	Part Name	Description	Local	△ Symbol No.	Part No.	Part Name	Description	Local
R924	NRSA63J-103X	MG RESISTOR	10kΩ 1/16W J		D640	SML-310VT/JK/-X	LED		
R925	NRSA63J-154X	MG RESISTOR	150kΩ 1/16W J		D641	SML-310VT/JK/-X	LED		
R926	NRSA63J-394X	MG RESISTOR	390kΩ 1/16W J		D642	SML-310VT/JK/-X	LED		
R927	NRSA63J-473X	MG RESISTOR	47kΩ 1/16W J		D643	SML-310VT/JK/-X	LED		
R962	NRSA63J-101X	MG RESISTOR	100Ω 1/16W J		D644	SML-310VT/JK/-X	LED		
R973	NRSA63J-103X	MG RESISTOR	10kΩ 1/16W J		D645	SML-310VT/JK/-X	LED		
R974	NRSA63J-103X	MG RESISTOR	10kΩ 1/16W J		D646	SML-310VT/JK/-X	LED		
R975	NRSA63J-103X	MG RESISTOR	10kΩ 1/16W J		D647	SML-310VT/JK/-X	LED		
R976	NRSA63J-563X	MG RESISTOR	56kΩ 1/16W J		D648	SML-310VT/JK/-X	LED		
R977	NRSA63J-183X	MG RESISTOR	18kΩ 1/16W J		D649	SML-310VT/JK/-X	LED		
R981	NRS181J-222X	MG RESISTOR	2.2kΩ 1/8W J		D650	SML-310VT/JK/-X	LED		
R982	NRS181J-222X	MG RESISTOR	2.2kΩ 1/8W J		D651	SML-310VT/JK/-X	LED		
RA723	NRZ0065-103X	NET RESISTOR	10kΩ 1/16W J		D652	SML-310VT/JK/-X	LED		
RA962	NRZ0065-222X	NET RESISTOR	2.2kΩ		D653	NSPW310BS/B2RST	LED		
					D654	NSPW310BS/B2RST	LED		
L1	NQL334J-4R7X	COIL	4.7uH J		D661	1SS355W-X	DIODE C.M		
L2	NQL093K-R22X	COIL	0.22uH K		D662	UDZW5.1B-X	SI DIODE		
L401	NQR0007-002X	FERRITE BEADS			D681	UDZW6.2B-X	SI DIODE		
L411	NQL114K-470X	INDUCTOR	47uH K						
L721	NQL38DK-330X	COIL	33uH K		C661	NBE20JM-106X	TA E CAPACITOR	10uF 6.3V M	
L722	QQL244J-470Z	COIL	47uH J		C662	NCS31HJ-681X	C CAPACITOR	680pF 50V J	
L901	QQR1378-002	COIL			C663	NCB31HK-223X	C CAPACITOR	0.022uF 50V K	
L902	NQL56CK-220X	COIL	22uH K		C664	NCB31HK-104X	C CAPACITOR	0.1uF 50V K	
L924	NQL56CK-220X	COIL	22uH K		C681	NBE20JM-475X	TA E CAPACITOR	4.7uF 6.3V M	
L925	NQL71EM-330X	COIL	33uH M		C682	NCB31HK-123X	C CAPACITOR	0.012uF 50V K	
L927	NQLB7GM-100X	COIL	10uH M		C686	NCB31HK-223X	C CAPACITOR	0.022uF 50V K	
					C687	NCB31HK-223X	C CAPACITOR	0.022uF 50V K	
CN701	QGZ1601J1-15	CONNECTOR	(1-15)		R601	NRSA63J-821X	MG RESISTOR	820Ω 1/16W J	
CN821	QGA2001C1-02	CONNECTOR	W-B (1-2)		R602	NRSA63J-821X	MG RESISTOR	820Ω 1/16W J	
CN901	QNZ0607-001	CAR CONNECTOR			R603	NRSA63J-122X	MG RESISTOR	1.2kΩ 1/16W J	
CN961	QGB2027M3-30S	CONNECTOR	B-B (1-30)		R604	NRSA63J-182X	MG RESISTOR	1.8kΩ 1/16W J	
CN962	QGF0534F3-45X	CONNECTOR	FFC/FPC (1-45)		R605	NRSA63J-272X	MG RESISTOR	2.7kΩ 1/16W J	
CN963	QGB2027L9-30X	CONNECTOR	B-B (1-30)		R606	NRSA63J-821X	MG RESISTOR	820Ω 1/16W J	
J1	QNB0190-001	CAR ANT JACK			R607	NRSA63J-821X	MG RESISTOR	820Ω 1/16W J	
J331	QNN0770-001	3P PIN JACK			R608	NRSA63J-122X	MG RESISTOR	1.2kΩ 1/16W J	
J801	QNZ0095-001	CONNECTOR			R609	NRSA63J-182X	MG RESISTOR	1.8kΩ 1/16W J	
K401	NQR0007-002X	FERRITE BEADS			R610	NRSA63J-272X	MG RESISTOR	2.7kΩ 1/16W J	
K402	NQR0007-002X	FERRITE BEADS			R611	NRSA63J-821X	MG RESISTOR	820Ω 1/16W J	
K411	NQR0201-004X	FERRITE BEADS			R612	NRSA63J-821X	MG RESISTOR	820Ω 1/16W J	
S723	QSW1049-001Z	TACT SW			R613	NRSA63J-122X	MG RESISTOR	1.2kΩ 1/16W J	
TH721	NAD0028-103X	N THERMISTOR	10kΩ		R614	NRSA63J-182X	MG RESISTOR	1.8kΩ 1/16W J	
TU1	QAU0443-002	TUNER PACK			R615	NRSA63J-272X	MG RESISTOR	2.7kΩ 1/16W J	
X721	QAX0617-001Z	CRYSTAL	12.500MHz		R625	NRSA63J-471X	MG RESISTOR	470Ω 1/16W J	
X722	QAX0401-001	CRYSTAL	32.768KHz		R627	NRSA63J-471X	MG RESISTOR	470Ω 1/16W J	
					R630	NRSA63J-821X	MG RESISTOR	820Ω 1/16W J	
					R631	NRSA63J-471X	MG RESISTOR	470Ω 1/16W J	
					R633	NRSA63J-331X	MG RESISTOR	330Ω 1/16W J	
					R635	NRSA63J-471X	MG RESISTOR	470Ω 1/16W J	
					R637	NRSA63J-331X	MG RESISTOR	330Ω 1/16W J	
					R639	NRSA63J-331X	MG RESISTOR	330Ω 1/16W J	
					R641	NRSA63J-471X	MG RESISTOR	470Ω 1/16W J	
					R643	NRSA63J-471X	MG RESISTOR	470Ω 1/16W J	
					R645	NRSA63J-471X	MG RESISTOR	470Ω 1/16W J	
					R649	NRS181J-391X	MG RESISTOR	390Ω 1/8W J	
					R650	NRS181J-391X	MG RESISTOR	390Ω 1/8W J	
					R661	NRSA63J-222X	MG RESISTOR	2.2kΩ 1/16W J	
					R662	NRSA63J-222X	MG RESISTOR	2.2kΩ 1/16W J	
					R663	NRSA63J-184X	MG RESISTOR	180kΩ 1/16W J	
					R664	NRSA63J-103X	MG RESISTOR	10kΩ 1/16W J	
					R665	NRSA63J-513X	MG RESISTOR	51kΩ 1/16W J	
					R666	NRSA63J-103X	MG RESISTOR	10kΩ 1/16W J	
					R667	NRSA63J-103X	MG RESISTOR	10kΩ 1/16W J	
					R668	NRSA63J-103X	MG RESISTOR	10kΩ 1/16W J	
					R670	NRS181J-471X	MG RESISTOR	470Ω 1/8W J	
					R671	NRSA63J-473X	MG RESISTOR	47kΩ 1/16W J	
					R672	NRS181J-102X	MG RESISTOR	1kΩ 1/8W J	
					R681	NRSA63J-471X	MG RESISTOR	470Ω 1/16W J	
					R682	NRSA63J-103X	MG RESISTOR	10kΩ 1/16W J	
					R686	NRSA63J-101X	MG RESISTOR	100Ω 1/16W J	
					R687	NRSA63J-473X	MG RESISTOR	47kΩ 1/16W J	
					R688	NRSA63J-473X	MG RESISTOR	47kΩ 1/16W J	
					CJ601	QGZ1601K1-15S	CONNECTOR	(1-15)	
					JS686	QSW0976-001	ROTARY ENCODER		
					S601	NSW0124-001X	TACT SW		
					S602	NSW0124-001X	TACT SW		
					S603	NSW0124-001X	TACT SW		

**Switch board
(KD-DV4203UI, DV4204UI, DV4205U,
DV4205UN, DV4205UT, DV4205A,
DV4206U, DV4206UN, DV4206UT,
DV4206A)**

Block No. [0][6]

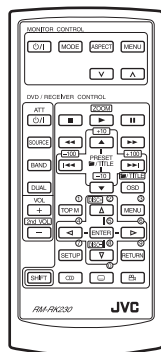
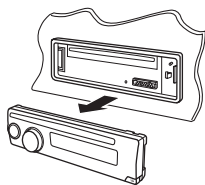
△ Symbol No.	Part No.	Part Name	Description	Local
IC661	PT6523LQ-L	LCD DRIVER		
IC681	RPM7338-V4	RM.RECEIVER		
Q670	2SA1365/F/-X	TRANSISTOR		
Q671	RT1N141C-X	DIGI TRANSISTOR		
D630	SML-310LT/MN/-X	LED		
D631	SML310BA1T/HJ-X	LED		
D632	SML310BA1T/HJ-X	LED		
D633	SML310BA1T/HJ-X	LED		
D635	SML-310VT/JK/-X	LED		
D637	SML-310VT/JK/-X	LED		
D638	SML-310VT/JK/-X	LED		
D639	SML-310VT/JK/-X	LED		

JVC

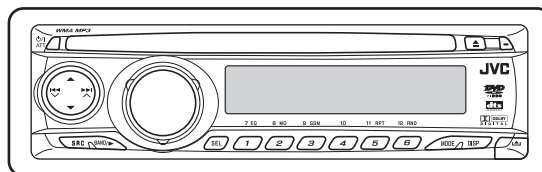
SCHEMATIC DIAGRAMS

DVD/CD RECEIVER

**KD-DV4200J, KD-DV4201E, KD-DV4201EU
KD-DV4202E, KD-DV4202EU, KD-DV4203UI
KD-DV4204UI, KD-DV4205U, KD-DV4205UN
KD-DV4205UT, KD-DV4205A, KD-DV4206U
KD-DV4206UN, KD-DV4206UT, KD-DV4206A
KD-DV4207EE**



CD-ROM No.SML200602



Lead free solder used in the board (material : Sn-Ag-Cu, melting point : 219 Centigrade)

Contents

Block diagram	2-1
Standard schematic diagrams	2-2
Printed circuit boards	2-11 to 12

Safety precaution



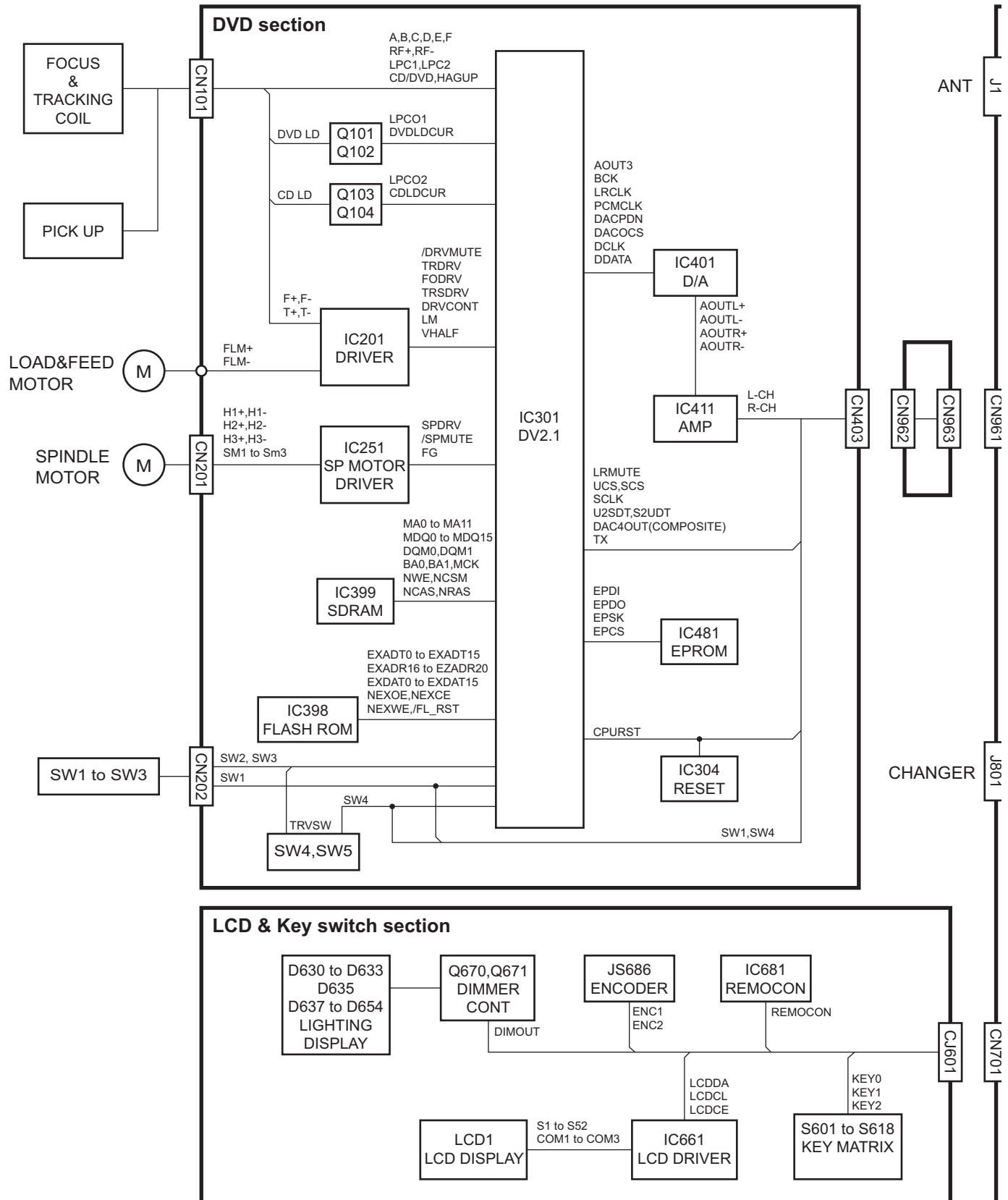
CAUTION Burrs formed during molding may be left over on some parts of the chassis. Therefore, pay attention to such burrs in the case of performing repair of this system.



CAUTION Please use enough caution not to see the beam directly or touch it in case of an adjustment or operation check.

< MEMO >

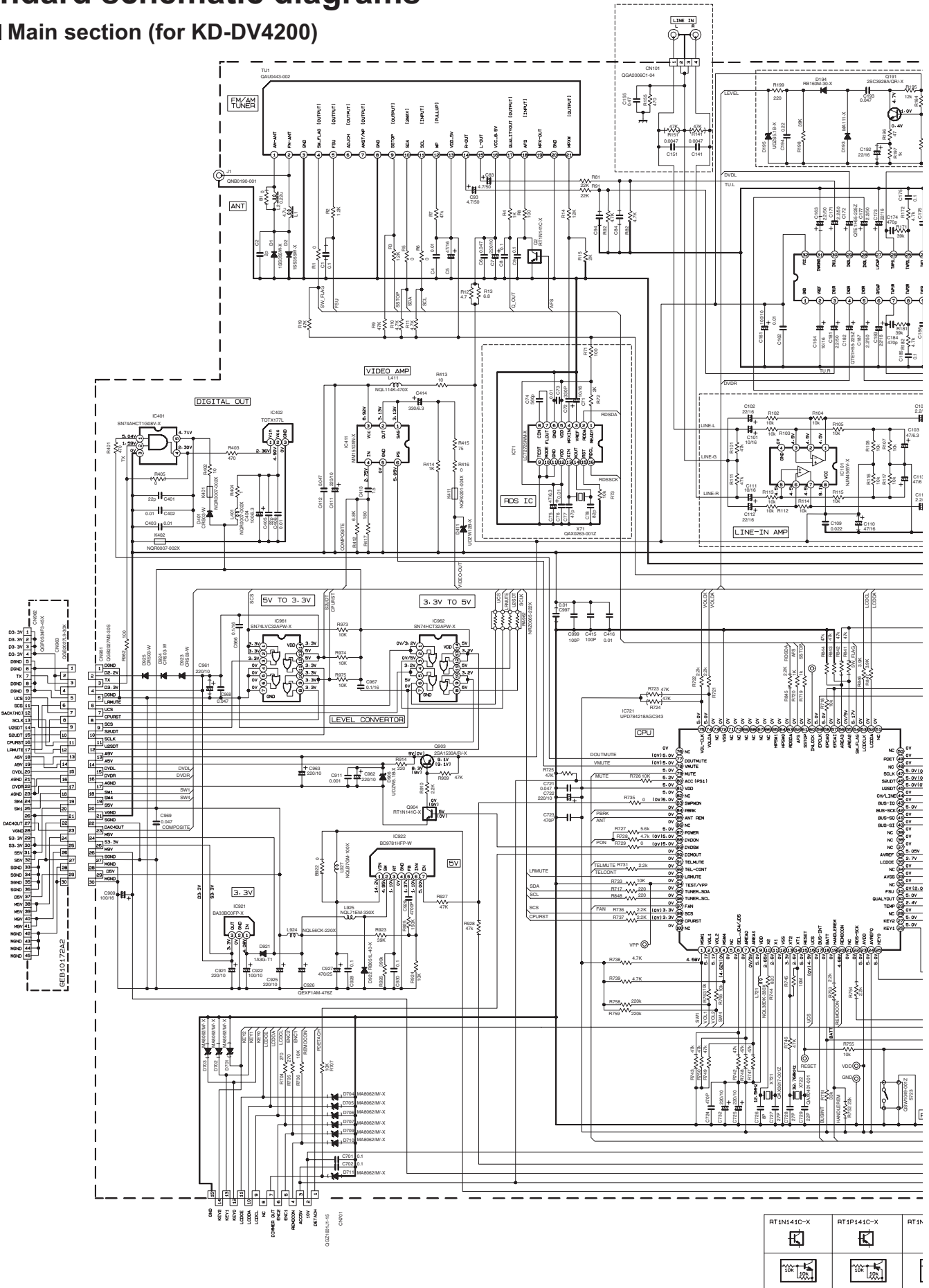
Block diagram

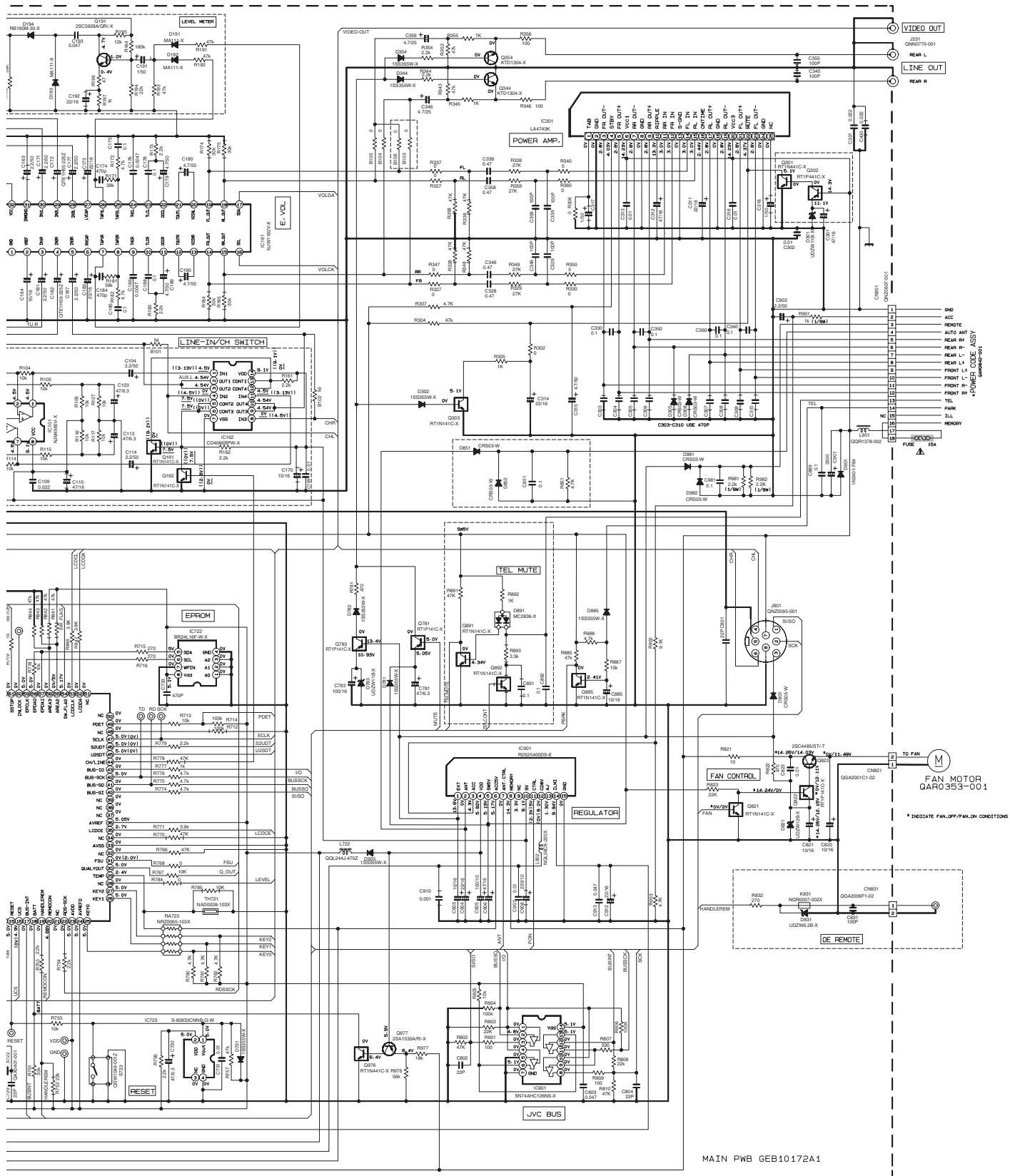


Standard schematic diagrams

■ Main section (for KD-DV4200)

TO FMU-JD5-1D MECHA





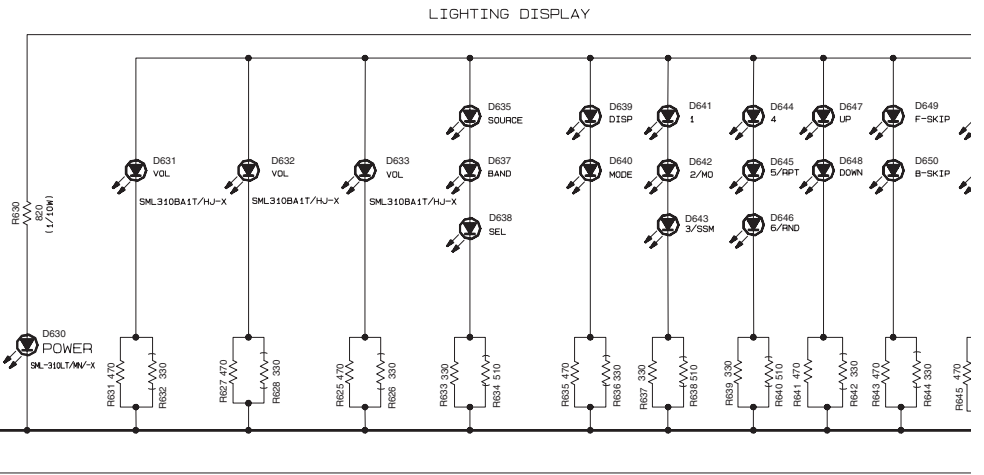
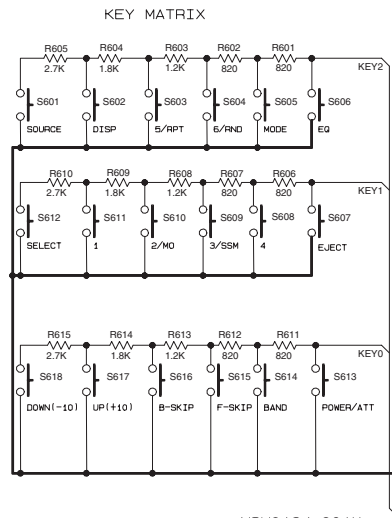
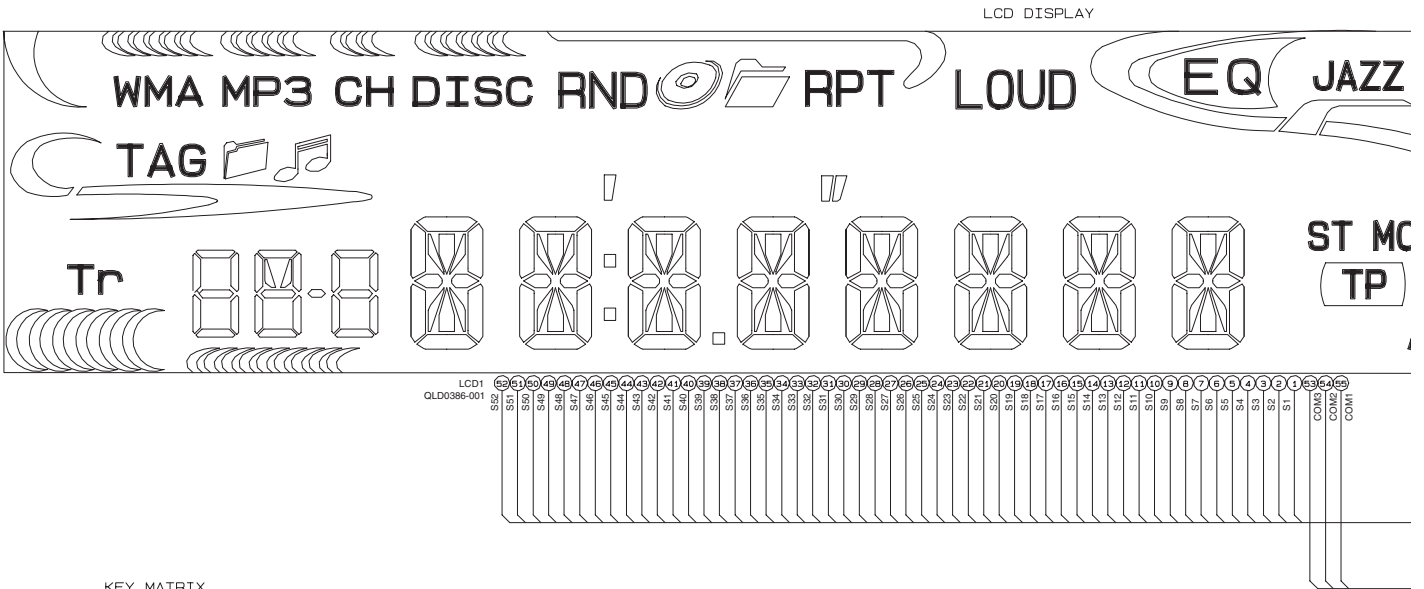
MAIN PWB GE B10172A1

NOTES

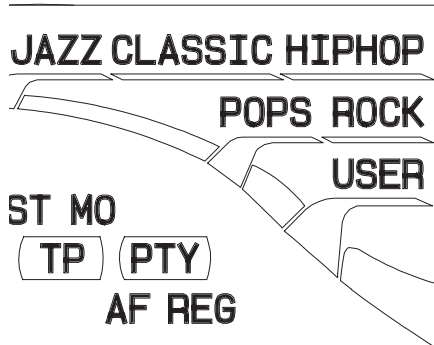
- VOLTAGES ARE DC-MEASURED WITH A DIGITAL VOLT METER WITHOUT INPUT SIGNAL. CONDITION — DVD MODE: () FM MODE: () AM MODE: () CH MODE: ___ USB MODE
- UNLESS OTHERWISE SPECIFIED, ALL RESISTORS ARE 1/10W ±5% METAL GLAZE RESISTOR. ALL CAPACITORS ARE 50V OR 25V CERAMIC CAPACITOR. ALL RESISTANCE VALUES ARE IN OHM. ALL CAPACITANCE VALUES ARE IN UF (P=PF) F — FILM CAPACITOR
- NI STANDS FOR NOT MOUNTED PARTS

⚠ Parts are safety assurance parts. When replacing those parts make sure to use the specified one.

■ LCD & Key control section (for KD-DV4200)



- S601-S618: NSW0124-001X
- D635, D637-D652: SML-310VT/JK/-X
- D631-D633: SML310BA1T/HJ-X



COM1

COM2

COM3

COM4

COM5

COM6

COM7

COM8

COM9

COM10

COM11

COM12

COM13

COM14

COM15

COM16

COM17

COM18

COM19

COM20

COM21

COM22

COM23

COM24

COM25

COM26

COM27

COM28

COM29

COM30

COM31

COM32

COM33

COM34

COM35

COM36

COM37

COM38

COM39

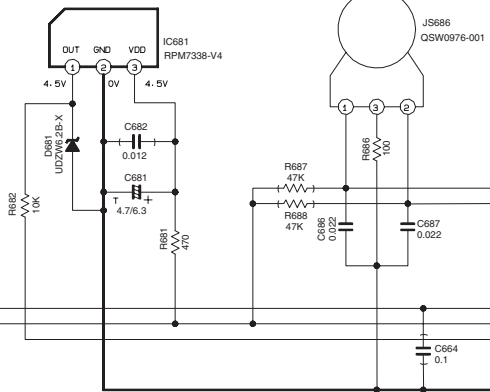
COM40

COM41

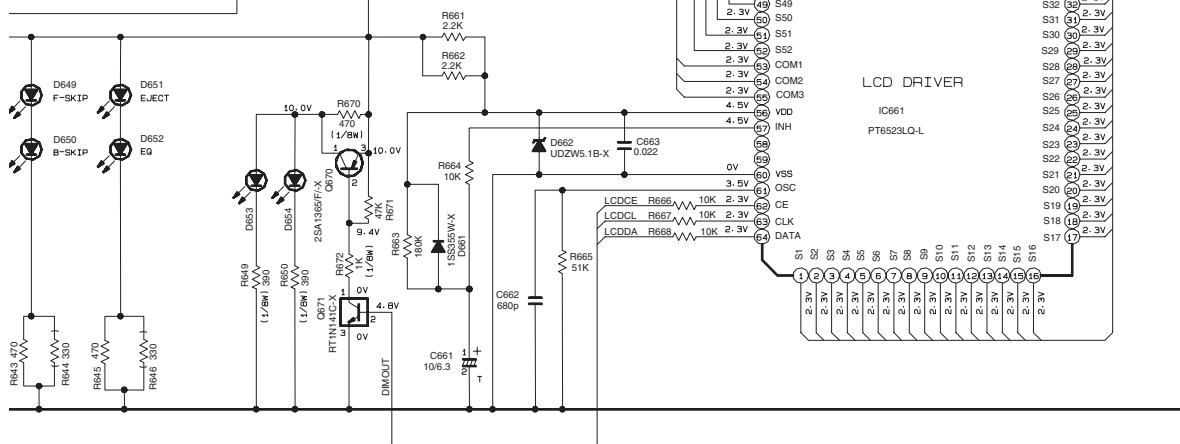
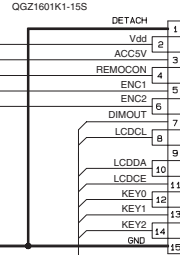
COM42

REMOCON

ENCODER



CJ601

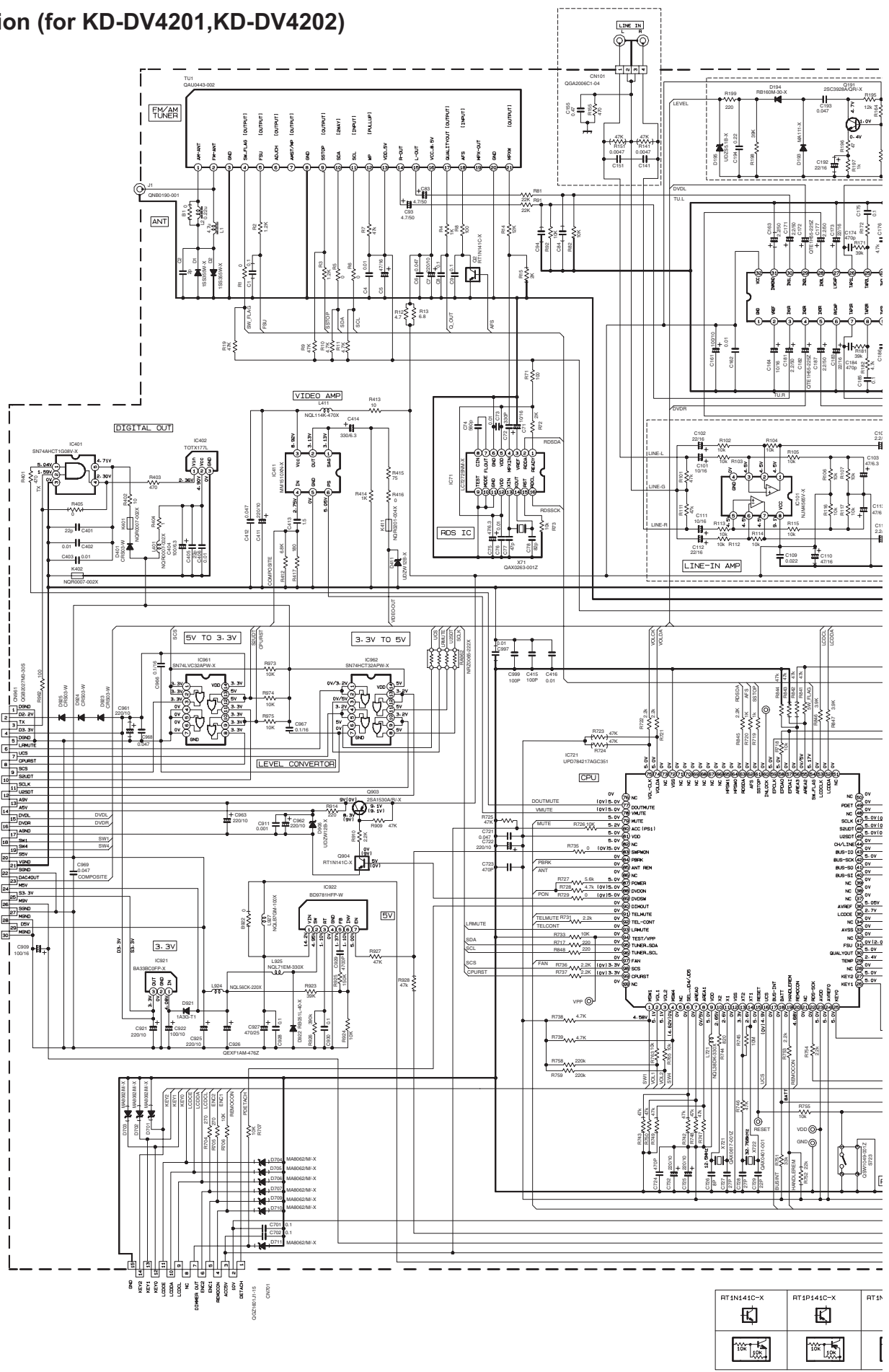
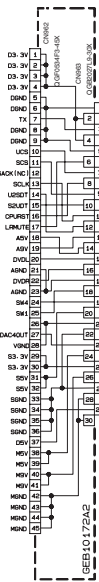


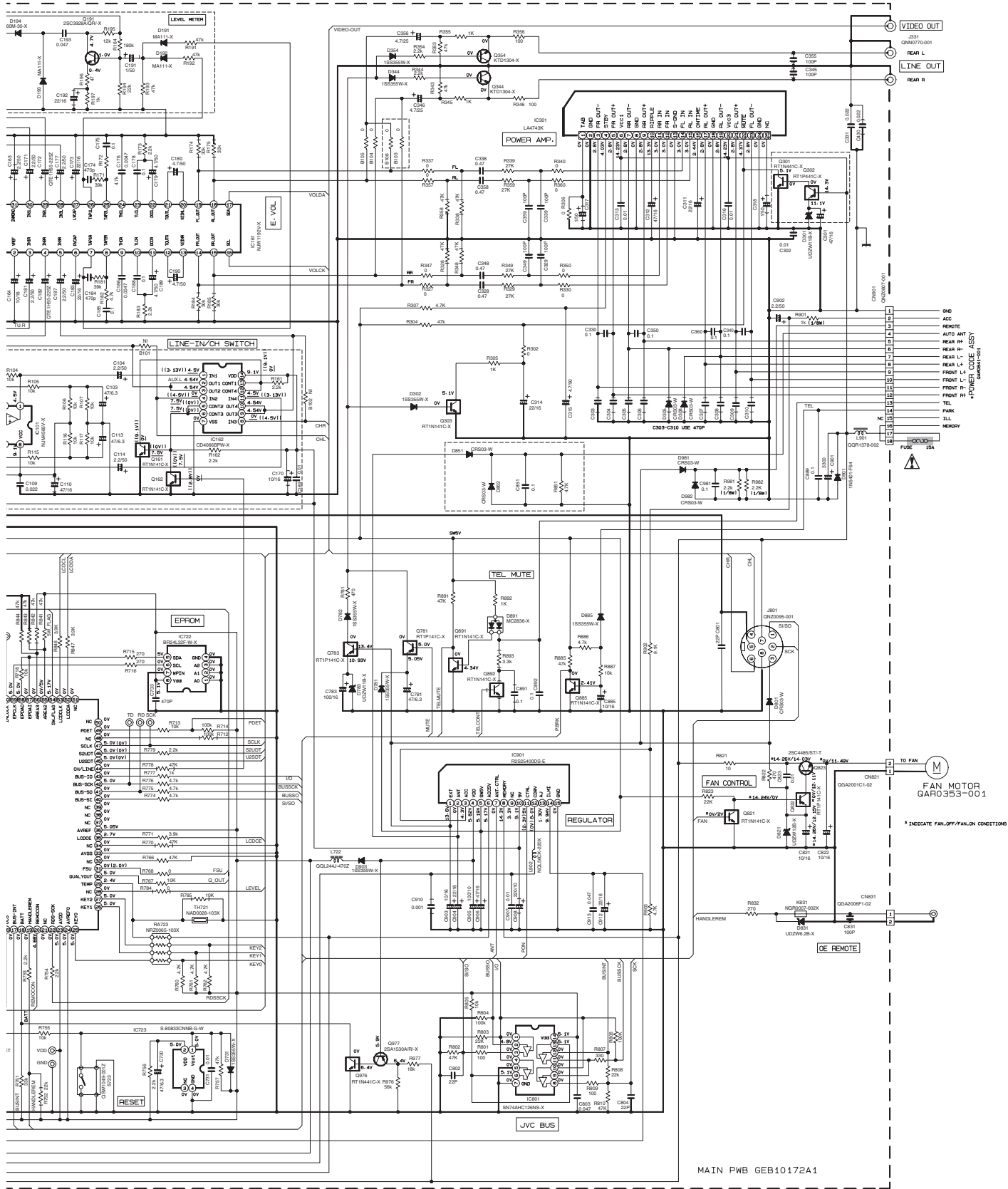
NOTES

1. VOLTAGES ARE DC-MEASURED WITH A DIGITAL VOLT METER WITHOUT INPUT SIGNAL.
2. UNLESS OTHERWISE SPECIFIED.
ALL RESISTORS ARE 1/16W +5% METAL GLAZE RESISTOR.
ALL CAPACITORS ARE 50V OR 25V CERAMIC CAPACITOR.
ALL RESISTANCE VALUES ARE IN OHM.
ALL CAPACITANCE VALUES ARE IN uF(P=pF)
ALL E. CAPACITORS ARE SHOWN IN THE FORM OF CAPACITANCE(uF)/RATED VOLTAGE(V)
T --- TANTALUM CAPACITOR.
3. COMPONENTS IN () INDICATE NOT USE.

Main section (for KD-DV4201, KD-DV4202)

TO FMU-JD5-1D MECHA





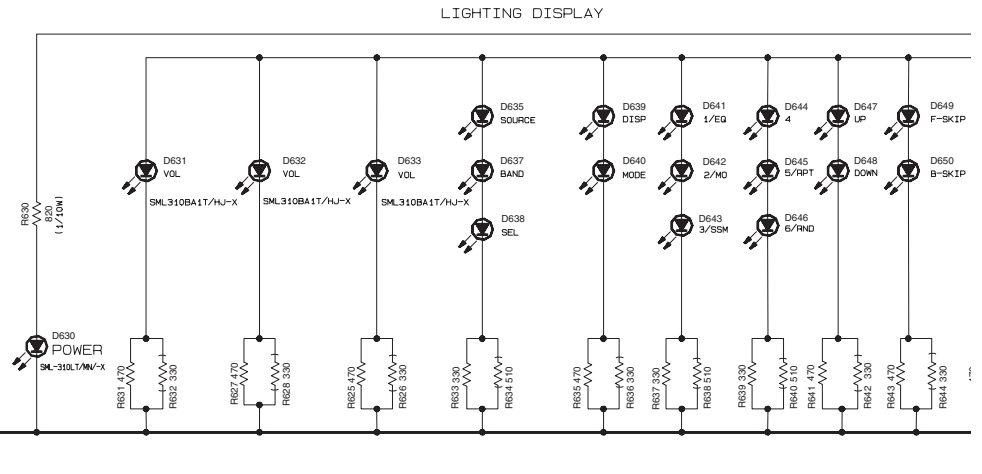
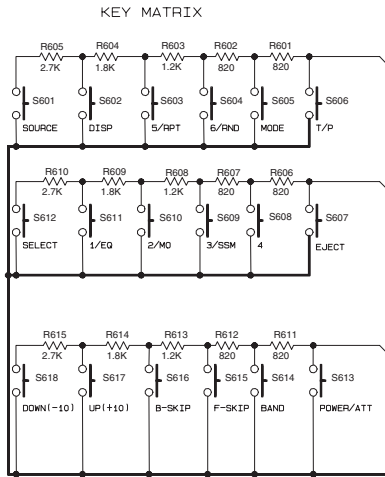
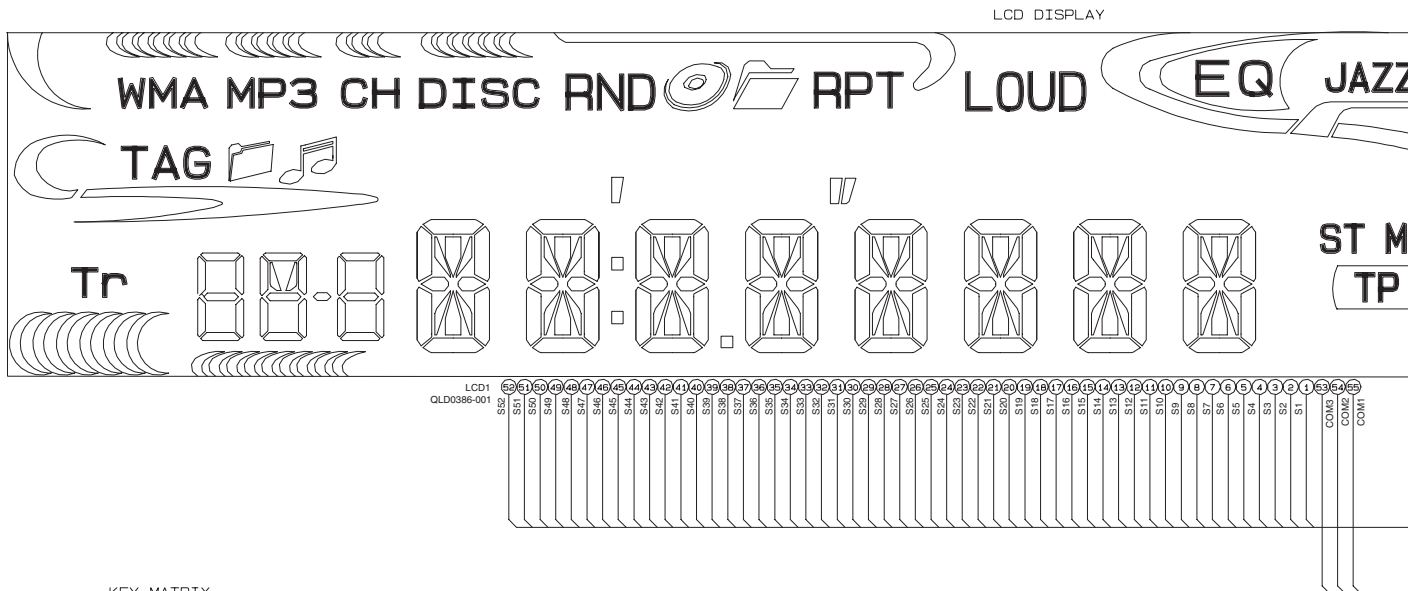
MAIN PWB GEB10172A1

RT1P141C-X	RT1N441C-X	UN2113

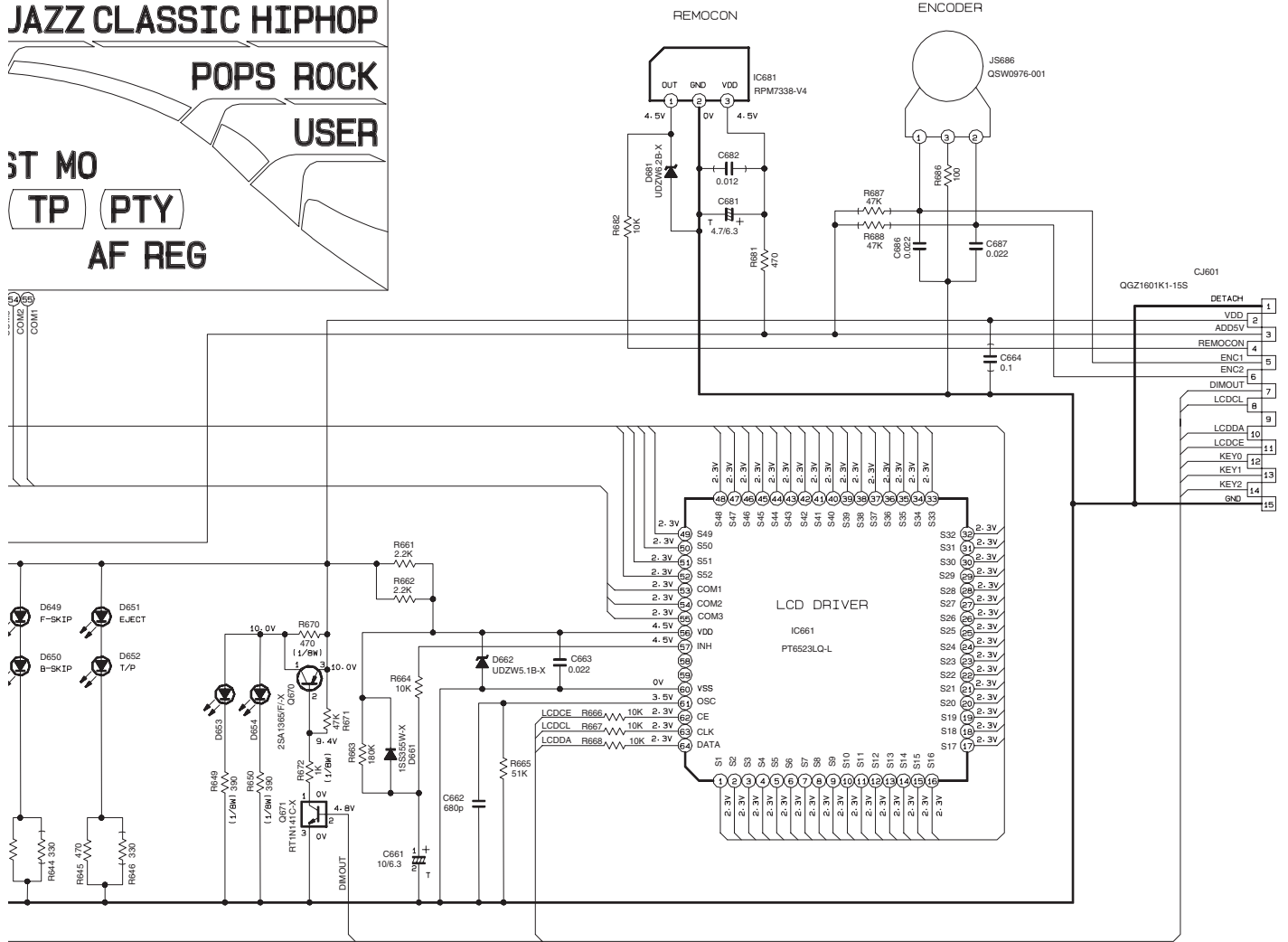
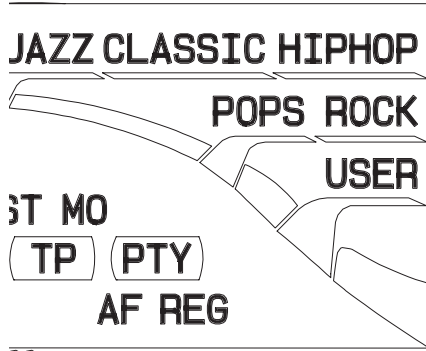
- NOTES
- VOLTAGES ARE DC-MEASURED WITH A DIGITAL VOLT METER WITHOUT INPUT SIGNAL CONDITION — DVD MODE: () FM MODE: () AM MODE: () CH MODE: () USB MODE
 - UNLESS OTHERWISE SPECIFIED, ALL RESISTORS ARE 1/10W ±5% METAL GLAZE RESISTOR. ALL CAPACITORS ARE 50V OR 25V CERAMIC CAPACITOR. ALL RESISTANCE VALUES ARE IN OHM. ALL CAPACITANCE VALUES ARE IN µF(PF) ALL E-CAPACITORS ARE SHOWN IN THE FORM OF CAPACITANCE(µF)/RATED VOLTAGE(V)
 - F — FILM CAPACITOR
 - NI STANDS FOR NOT MOUNTED PARTS

Parts are safety assurance parts. When replacing those parts make sure to use the specified one.

■ LCD & Key control section (for KD-DV4201, KD-DV4202)



S601-S618: NSW0124-001X
 D635, D637-D652: SML-310VT/JK/-X
 D631-D633: SML310BA1T/HJ-X

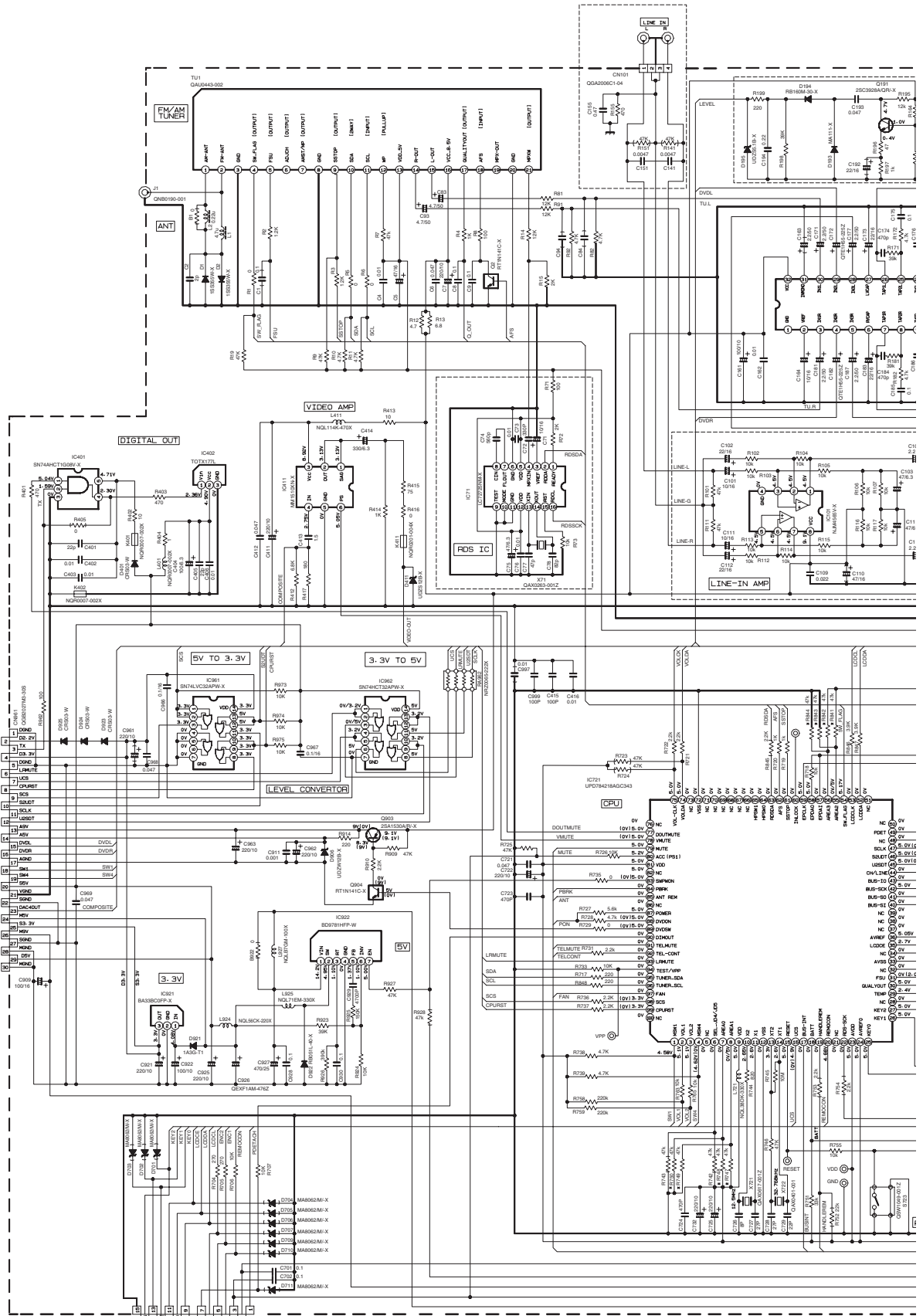


NOTES

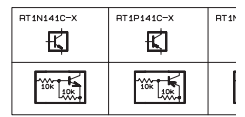
1. VOLTAGES ARE DC-MEASURED WITH A DIGITAL VOLT METER WITHOUT INPUT SIGNAL.
2. UNLESS OTHERWISE SPECIFIED.
 ALL RESISTORS ARE 1/16W ±5% METAL GLAZE RESISTOR.
 ALL CAPACITORS ARE 50V OR 25V CERAMIC CAPACITOR.
 ALL RESISTANCE VALUES ARE IN Ω-M.
 ALL CAPACITANCE VALUES ARE IN μF(P=pF)
 ALL E. CAPACITORS ARE SHOWN IN THE FORM OF CAPACITANCE(μF)/RATED VOLTAGE(V)
 T --- TANTALUM CAPACITOR.
3. COMPONENTS IN () INDICATE NOT USE.

■ Main section (for KD-DV4203, KD-DV4204, KD-DV4205, KD-DV4206)

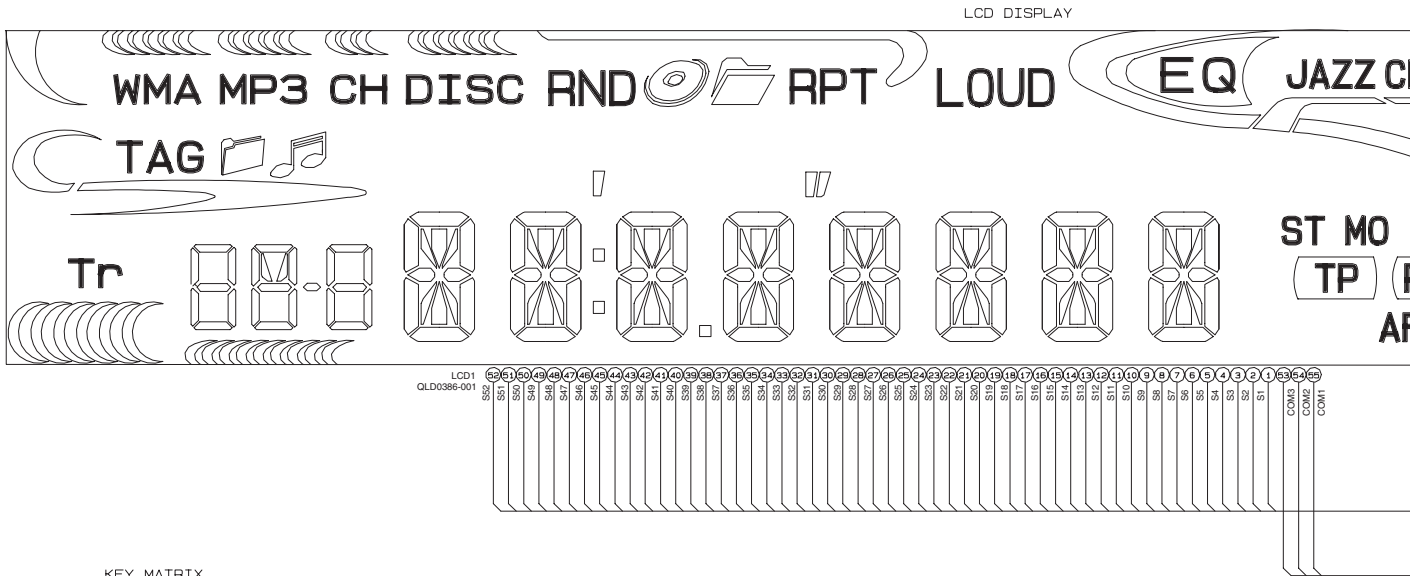
TO FMU-JD5-1D MECHA



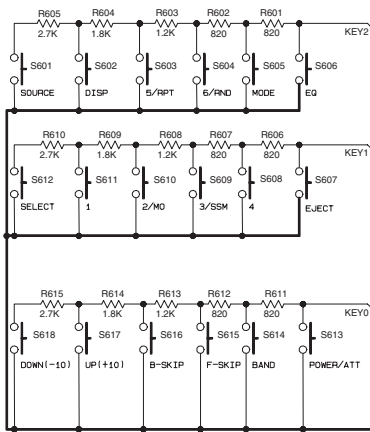
	R747	R748	R749	R750		R841	R842	R843	R844
KD-DV4203U SERIES	0	0	1	1		0	0	0	1
KD-DV4204U SERIES	0	0	1	1		1	0	0	1
KD-DV4205U SERIES	1	0	0	1		0	0	1	1
KD-DV4206U SERIES	1	0	0	1		0	0	1	1
KD-DV4203L SERIES	0	1	1	0		1	0	0	1
KD-DV4204L SERIES	0	1	1	0		1	0	0	1



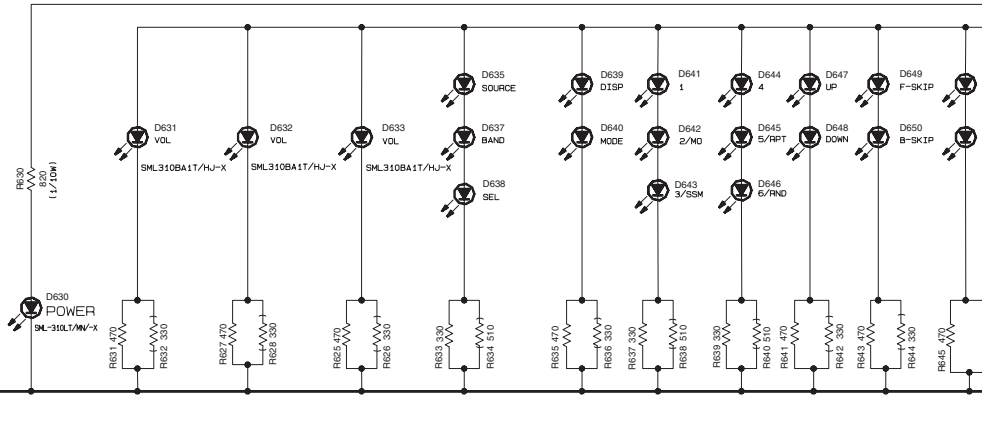
■ LCD & Key control section (for KD-DV4203,KD-DV4204,KD-DV4205,KD-DV4206)



KEY MATRIX



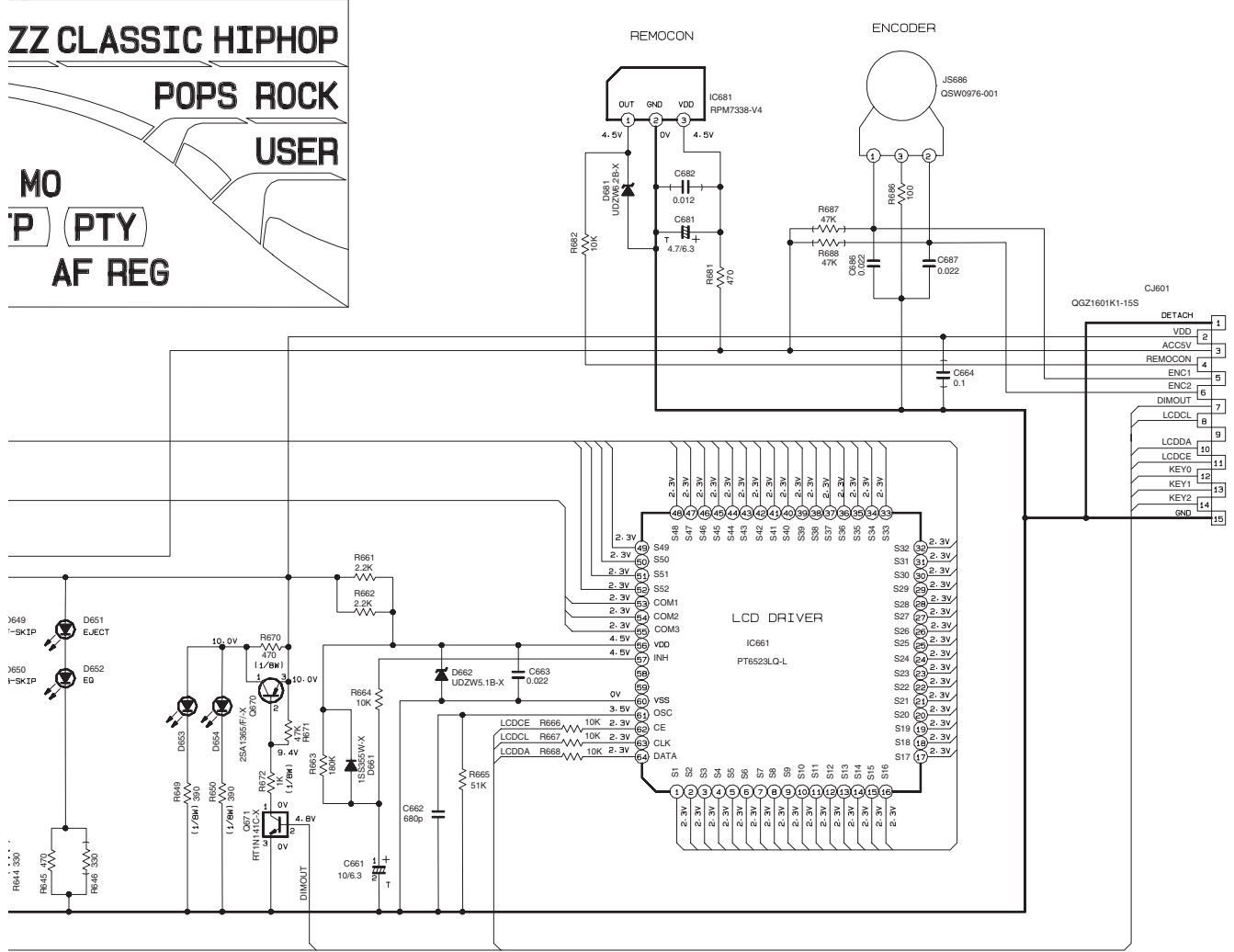
LIGHTING DISPLAY



S601-S618: NSW0124-001X
 D635, D637-D652: SML-310VT/JK/-X
 D631-D633: SML310BA1T/HJ-X

ZZ CLASSIC HIPHOP
POPS ROCK
USER

MO
P (PTY)
AF REG

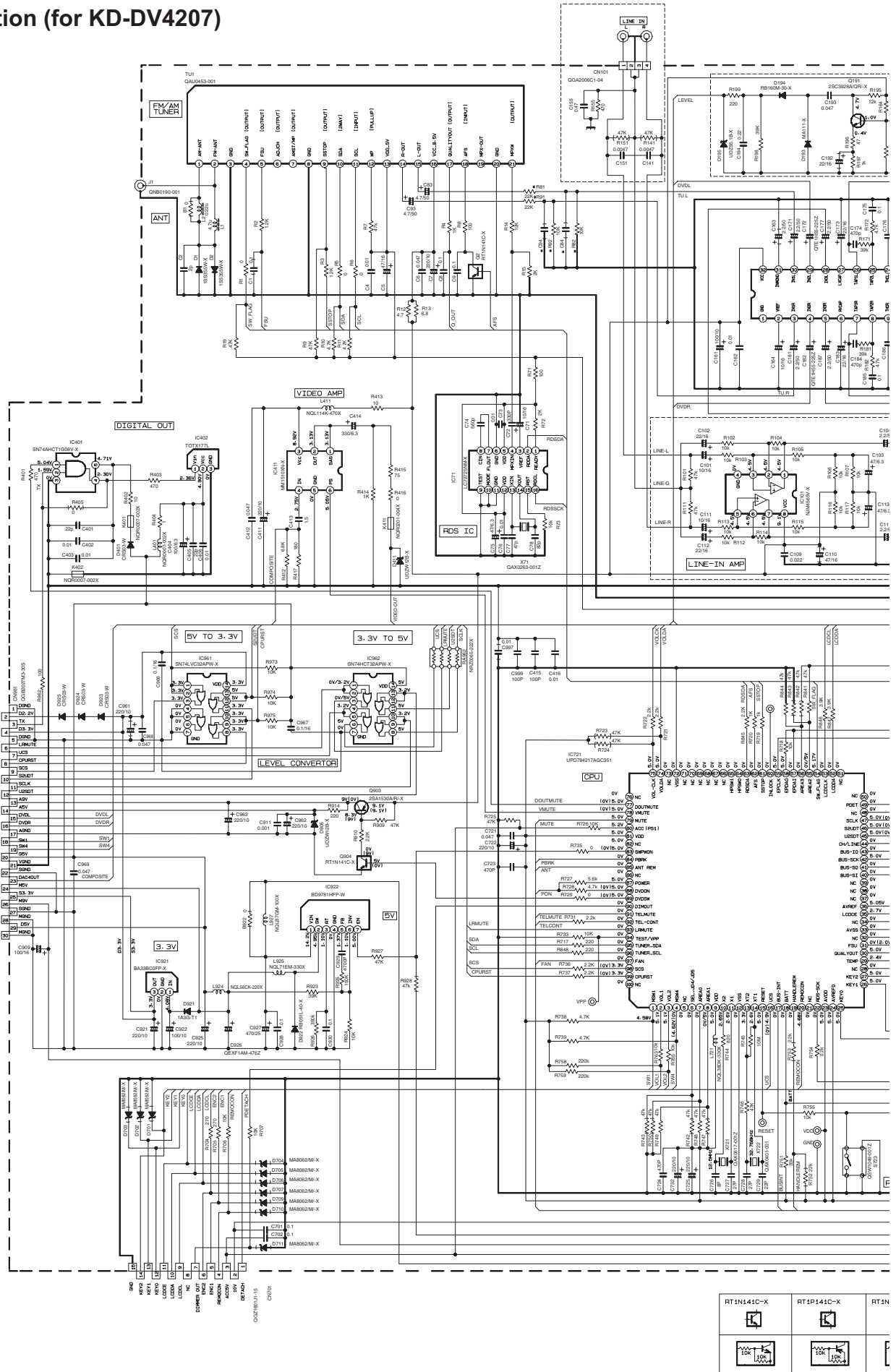


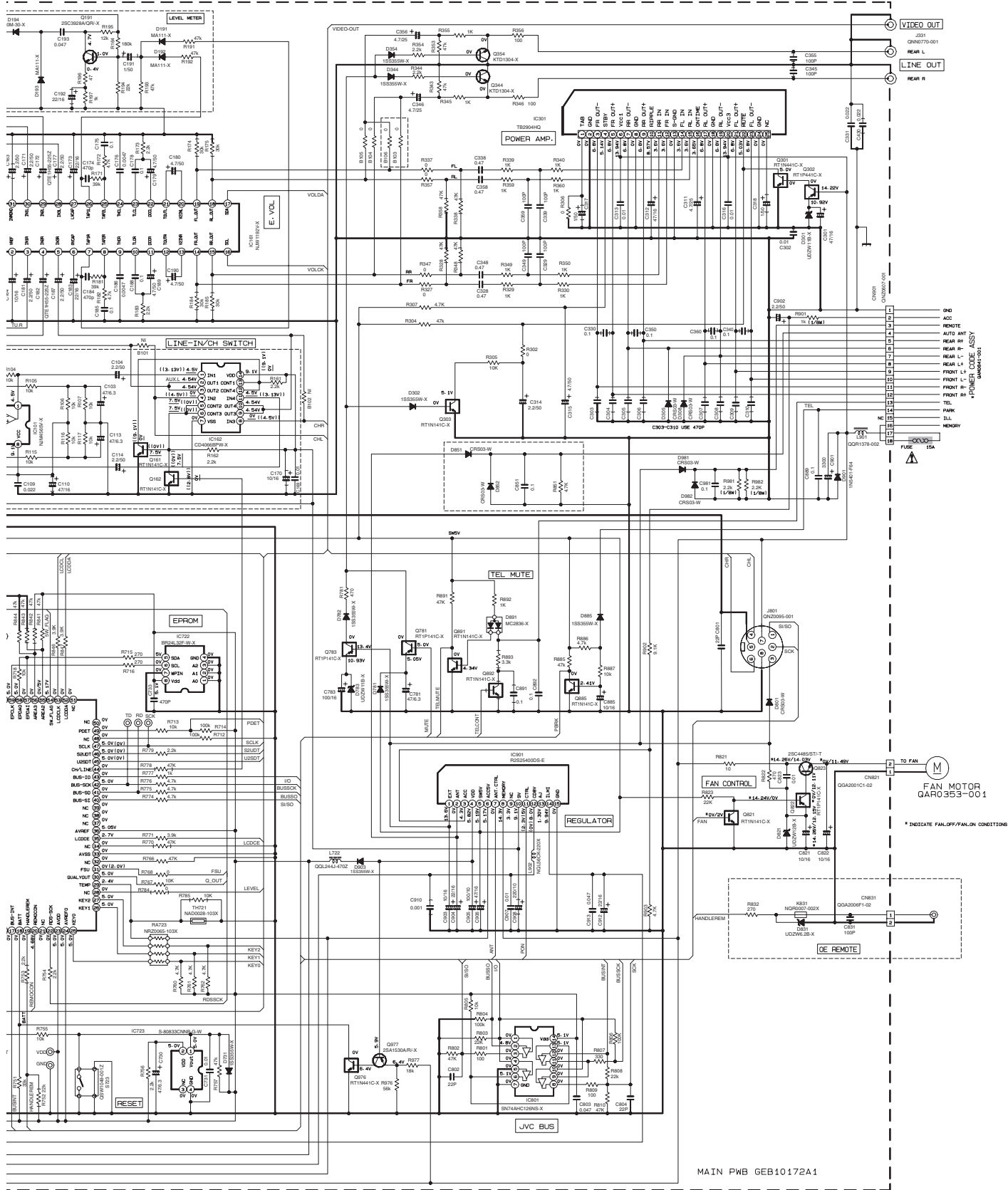
- NOTES**
1. VOLTAGES ARE DC-MEASURED WITH A DIGITAL VOLT METER WITHOUT INPUT SIGNAL.
 2. UNLESS OTHERWISE SPECIFIED.
 ALL RESISTORS ARE 1/16W ±5% METAL GLAZE RESISTOR.
 ALL CAPACITORS ARE 50V OR 25V CERAMIC CAPACITOR.
 ALL RESISTANCE VALUES ARE IN OHM.
 ALL CAPACITANCE VALUES ARE IN uF(P-pF)
 ALL E. CAPACITORS ARE SHOWN IN THE FORM OF CAPACITANCE(uF)/RATED VOLTAGE(V)
 T --- TANTALUM CAPACITOR.
 3. COMPONENTS IN () INDICATE NOT USE.

Main section (for KD-DV4207)

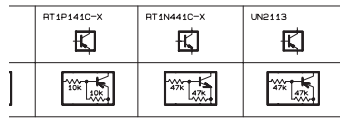
TO FMU-JD5-1D MECHA

SEB10172A-2





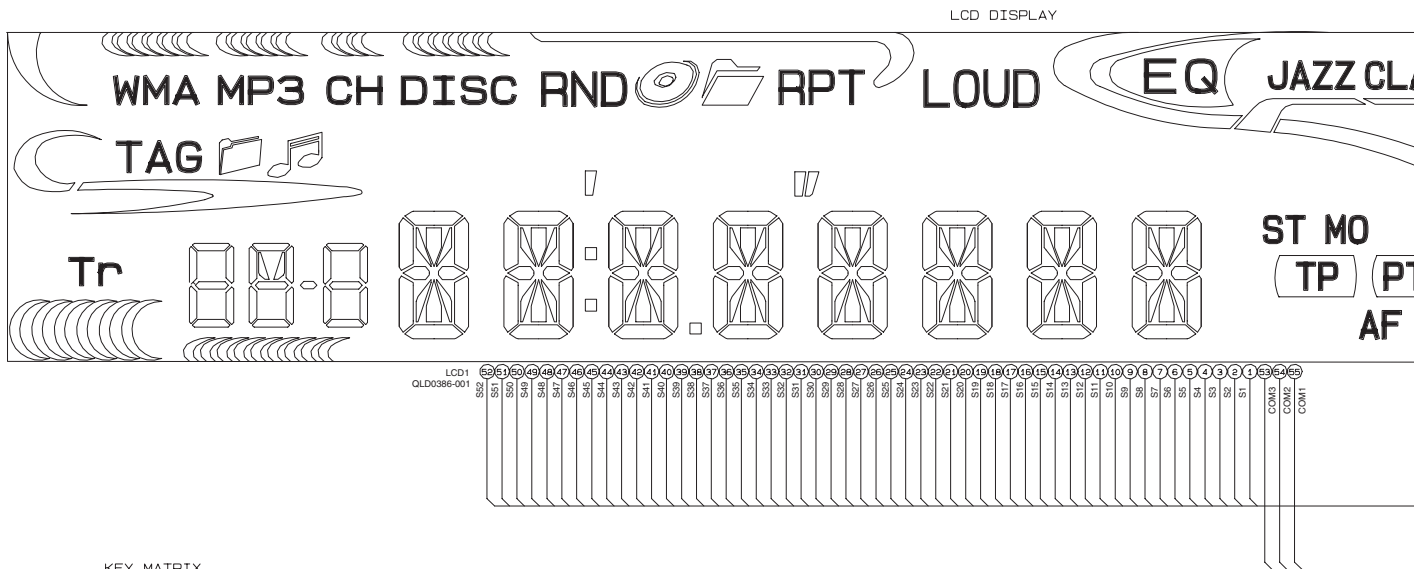
MAIN PWB GEB10172A1



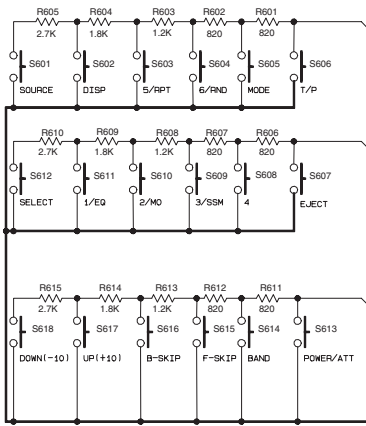
- NOTES
1. VOLTAGES ARE DC-MEASURED WITH A DIGITAL VOLT METER WITHOUT INPUT SIGNAL CONDITION --- DVD MODE () FM MODE () AM MODE () CH MODE () USB MODE () UNLESS OTHERWISE SPECIFIED.
 2. ALL RESISTORS ARE 1/10W 10% METAL GLAZE RESISTOR. ALL CAPACITORS ARE 50V OR 25V CERAMIC CAPACITOR. ALL RESISTANCE VALUES ARE IN OHM. ALL CAPACITANCE VALUES ARE IN nF (pF) ALL E. CAPACITORS ARE SHOWN IN THE FORM OF CAPACITANCE (UF)/RATED VOLTAGE (V) F --- FILM CAPACITOR
 3. NI STANDS FOR NOT MOUNTED PARTS

⚠ Parts are safety assurance parts. When replacing those parts make sure to use the specified one.

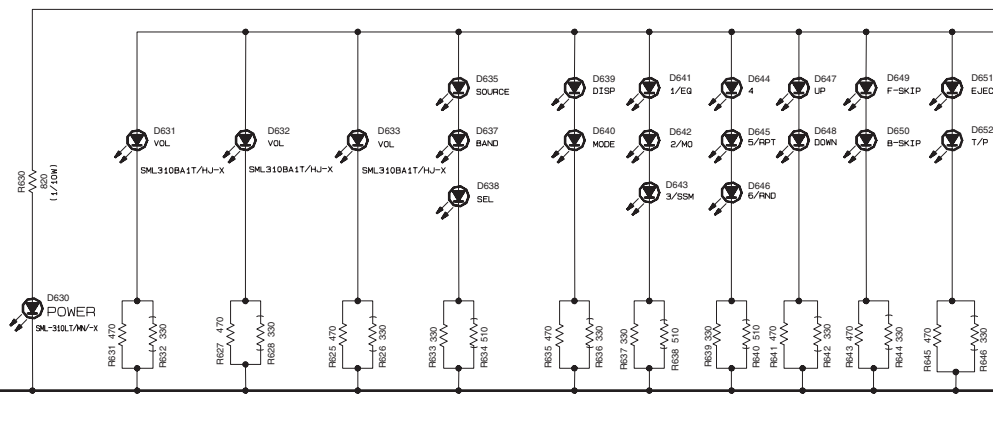
■ LCD & Key control section (for KD-DV4207)



KEY MATRIX

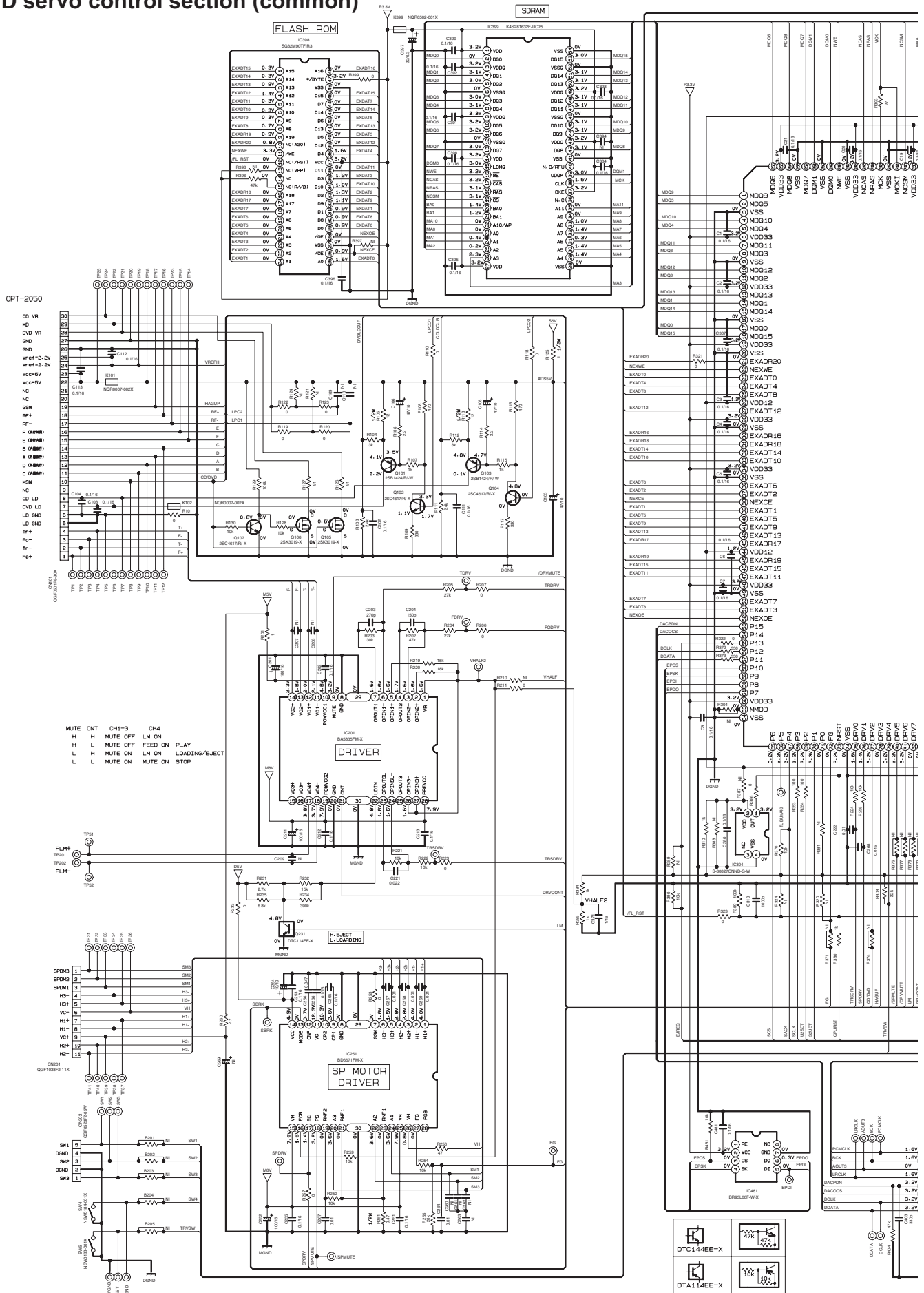


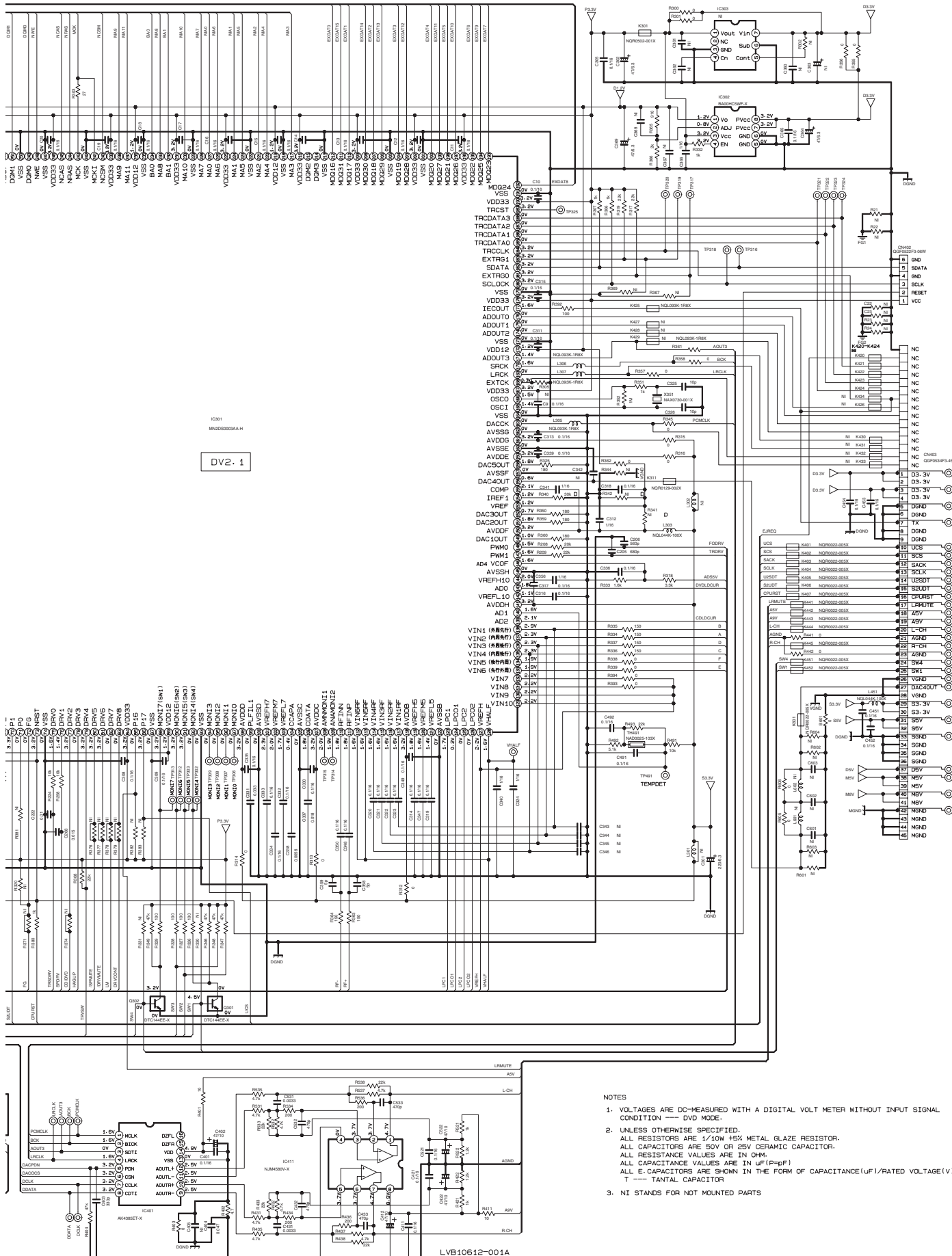
LIGHTING DISPLAY



S601-S618 : NSWO124-001X
 D635, D637-D652 : SML-310VT/JK/-X
 D631-D633 : SML310BA1T/HJ-X

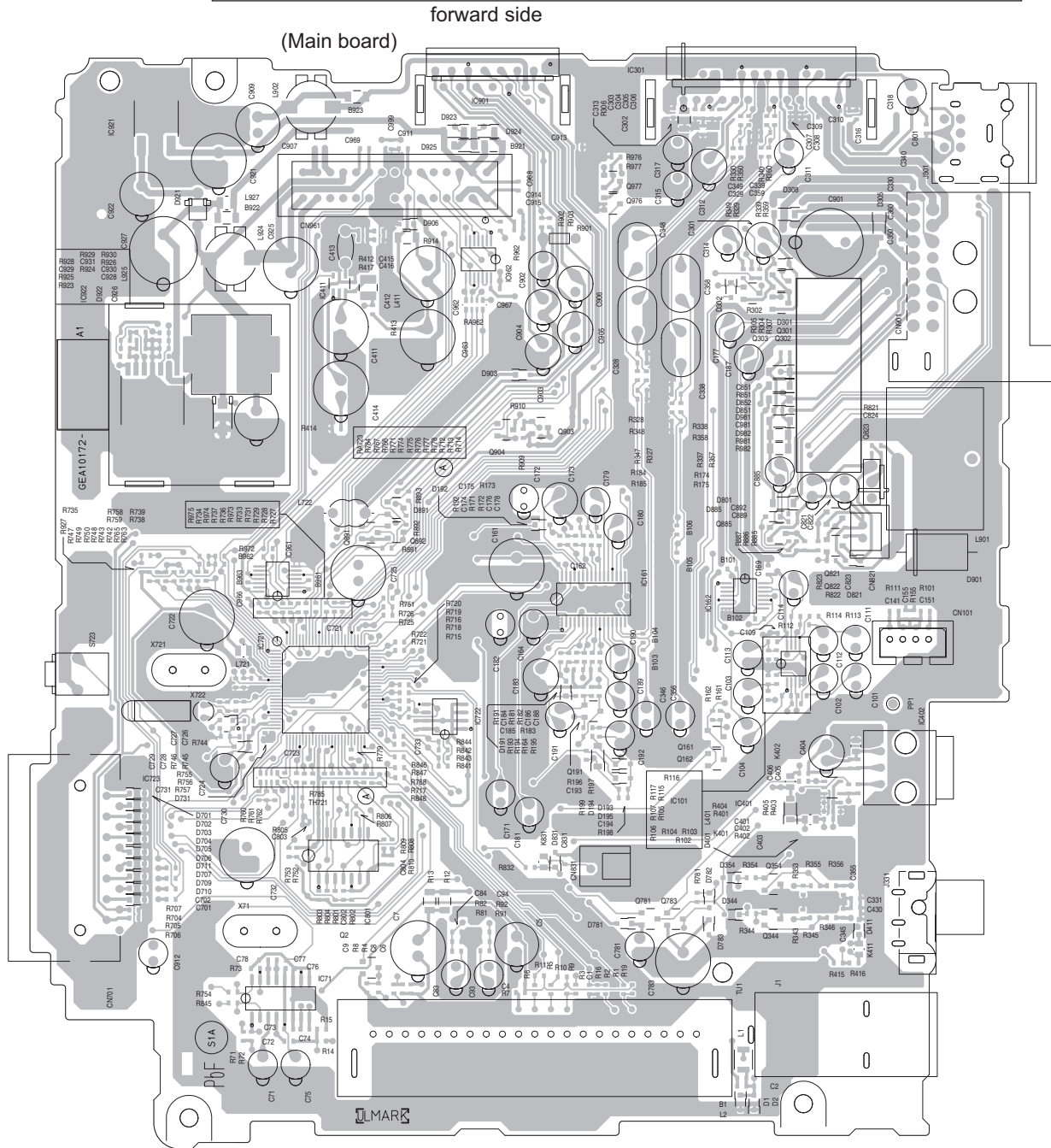
DVD servo control section (common)



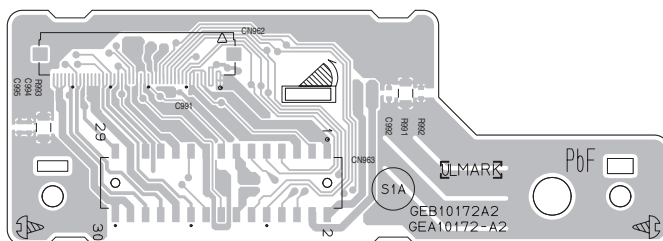


Printed circuit boards

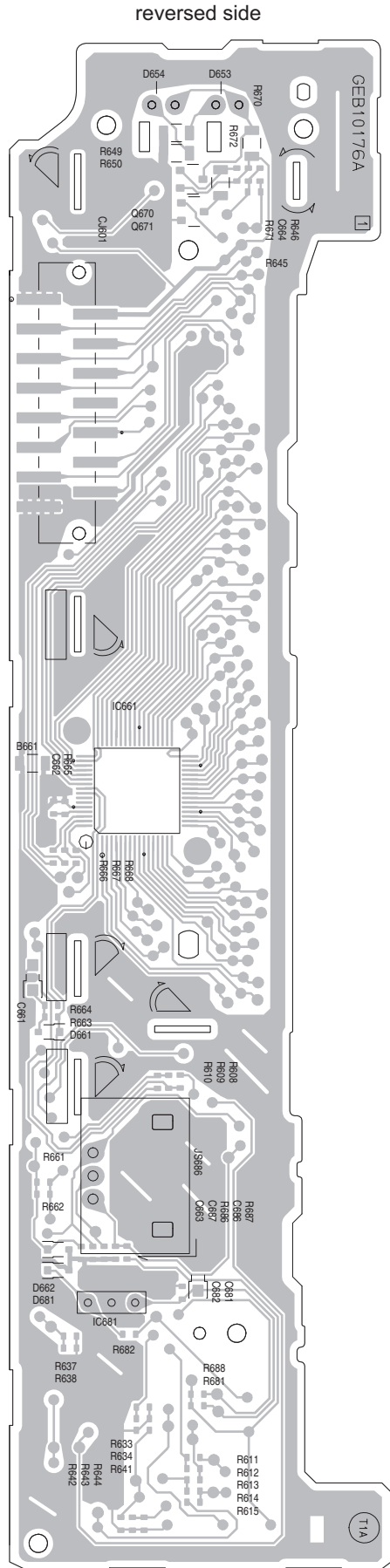
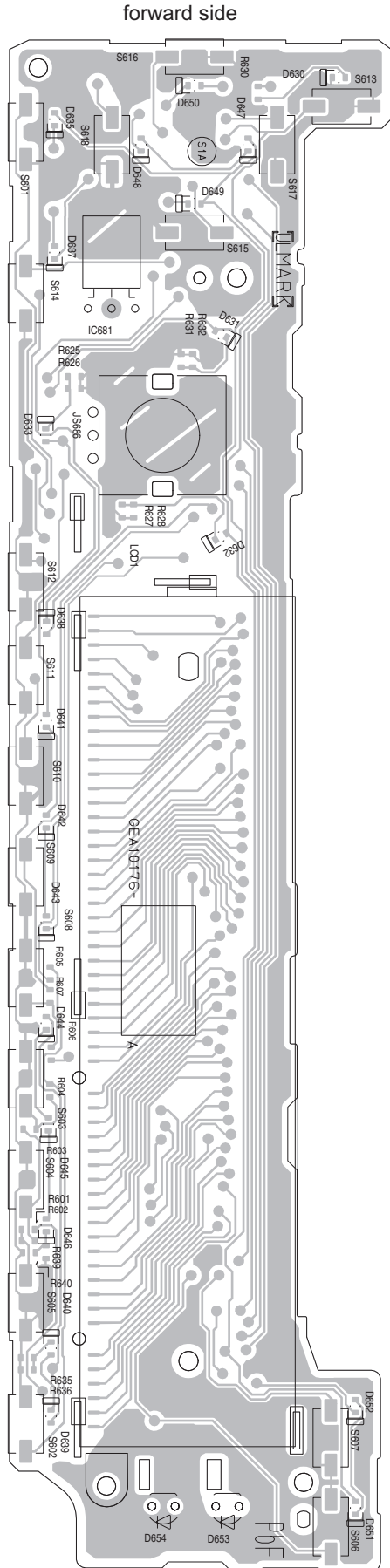
■ Main board Lead free solder used in the board (material : Sn-Ag-Cu, melting point : 219 Centigrade)



(Main sub board)



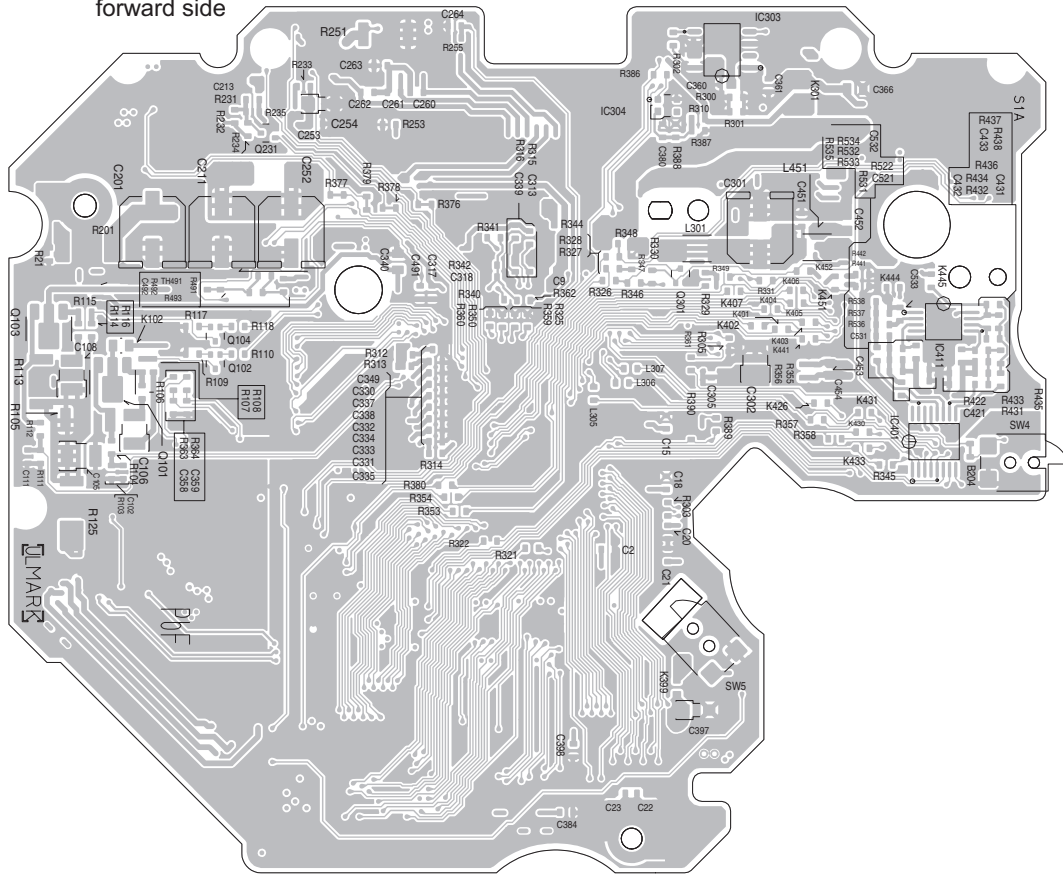
■ **Switch board** Lead free solder used in the board (material : Sn-Ag-Cu, melting point : 219 Centigrade)



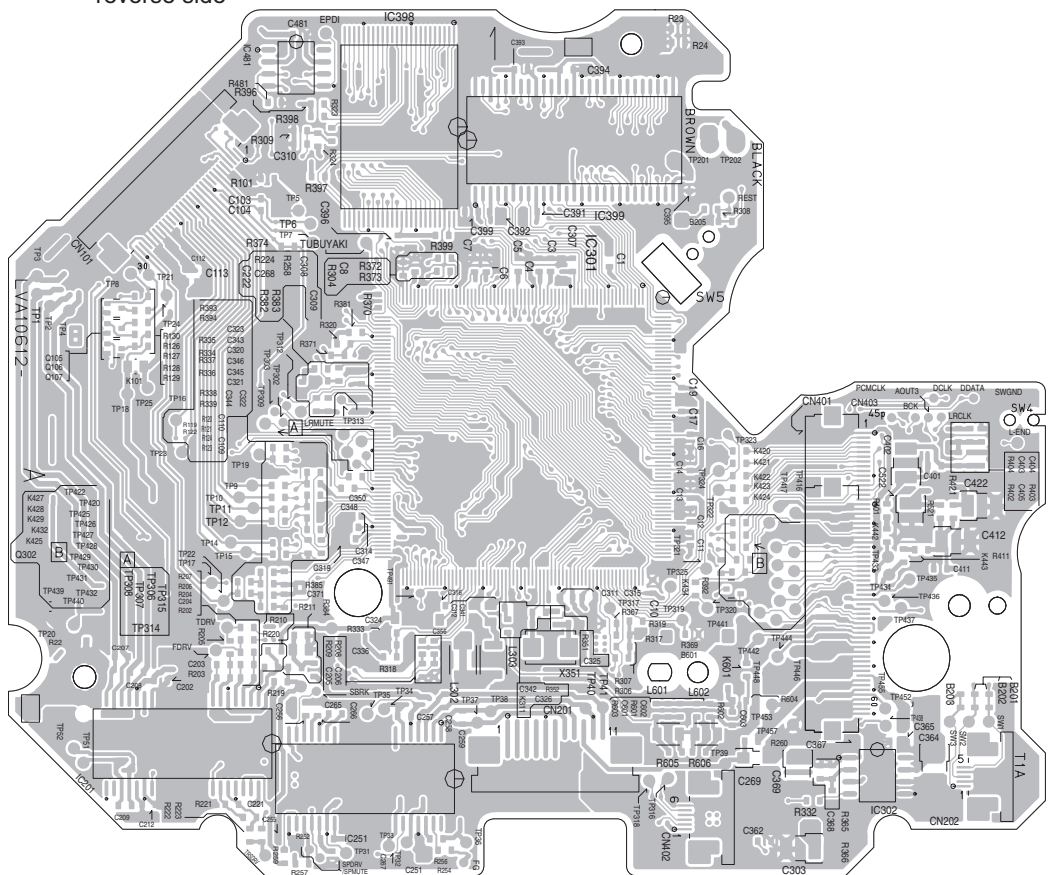
■ DVD servo board

Lead free solder used in the board (material : Sn-Ag-Cu, melting point : 219 Centigrade)

forward side



reverse side



JVC

Victor Company of Japan, Limited

Mobile Entertainment Business Group Mobile Entertainment Category 10-1, 1chome, Ohwatari-machi, Maebashi-city, Gumma-ken, 371-8543, Japan

(No.MA248SCH)



Printed in Japan
VPT